



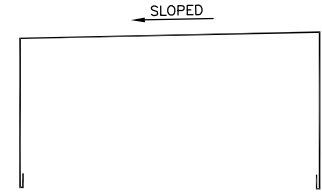
CAP-001



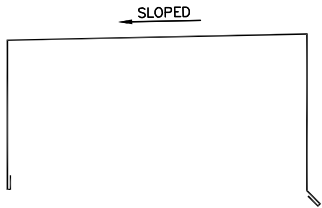
CAP-002



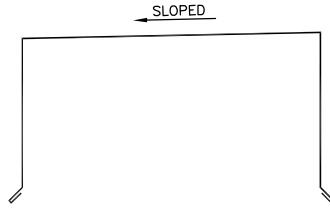
CAP-003



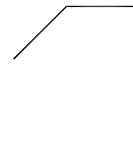
CAP-004



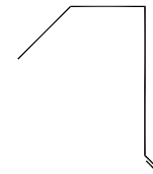
CAP-005



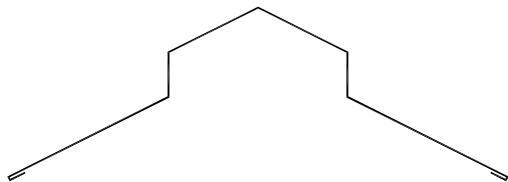
CAP-006



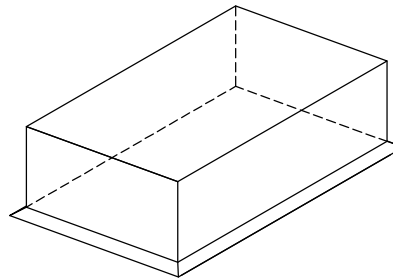
CAP-007



CAP-008



CAP-009



CAP-010

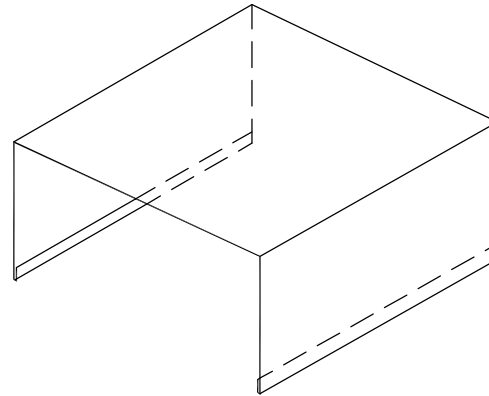
FAST FLASHINGS
www.fastflashings.com

Kirkland 425-427-8367 Seattle 206-364-3612

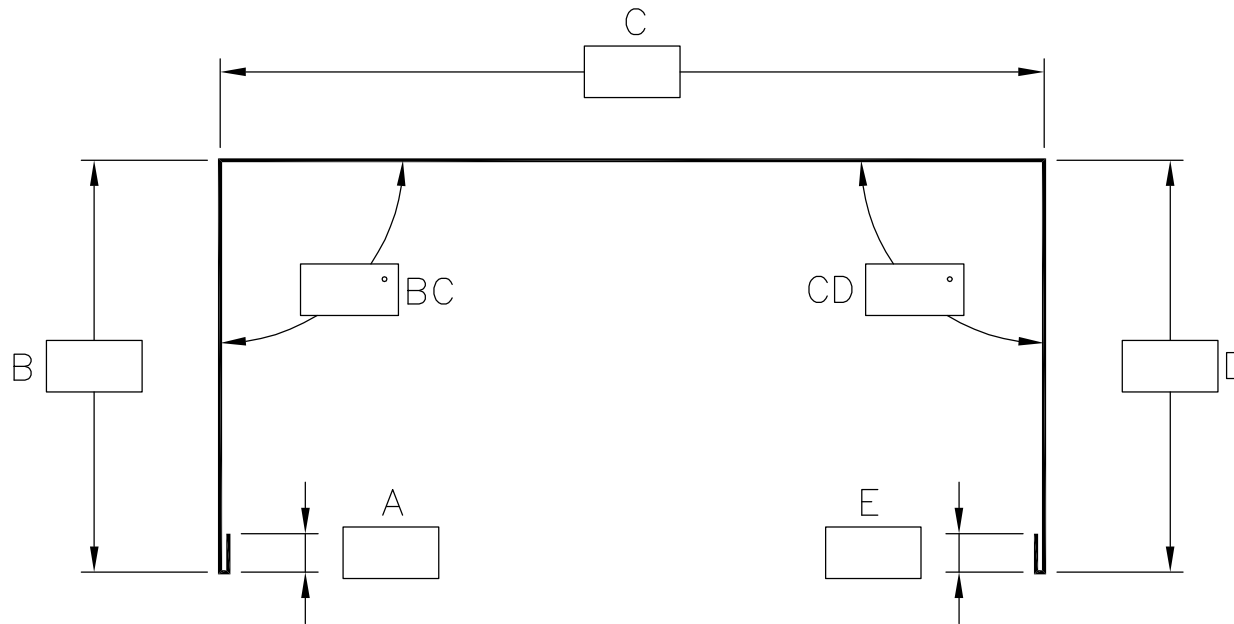
| | | |
|----------|------|--------------|
| DRAWN BY | DATE | SCALE FACTOR |
| | | |

DRAWING #
CAP-LEGEND-1

CAP-001 - CAP-010



| | |
|--|--|
| CUSTOMER | |
| JOB | |
| ADDRESS | |
| CONTACT | PHONE |
| COLOR | |
| STAINLESS #2 <input type="checkbox"/> | STAINLESS #4 <input type="checkbox"/> |
| GALVANIZED <input type="checkbox"/> | PRE-PRIMED <input type="checkbox"/> |
| COPPER 16 OZ. <input type="checkbox"/> | COPPER 20 OZ. <input type="checkbox"/> |
| GAUGE 22 <input type="checkbox"/> | 24 <input type="checkbox"/> |
| 26 <input type="checkbox"/> | |
| QUANTITY | |



FAST FLASHINGS
www.fastflashings.com

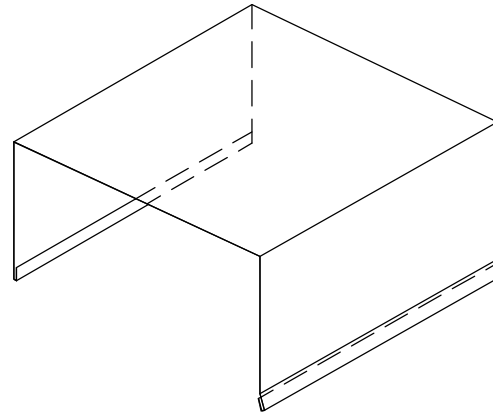
Kirkland 425-427-8367 Seattle 206-364-3612

TYPE

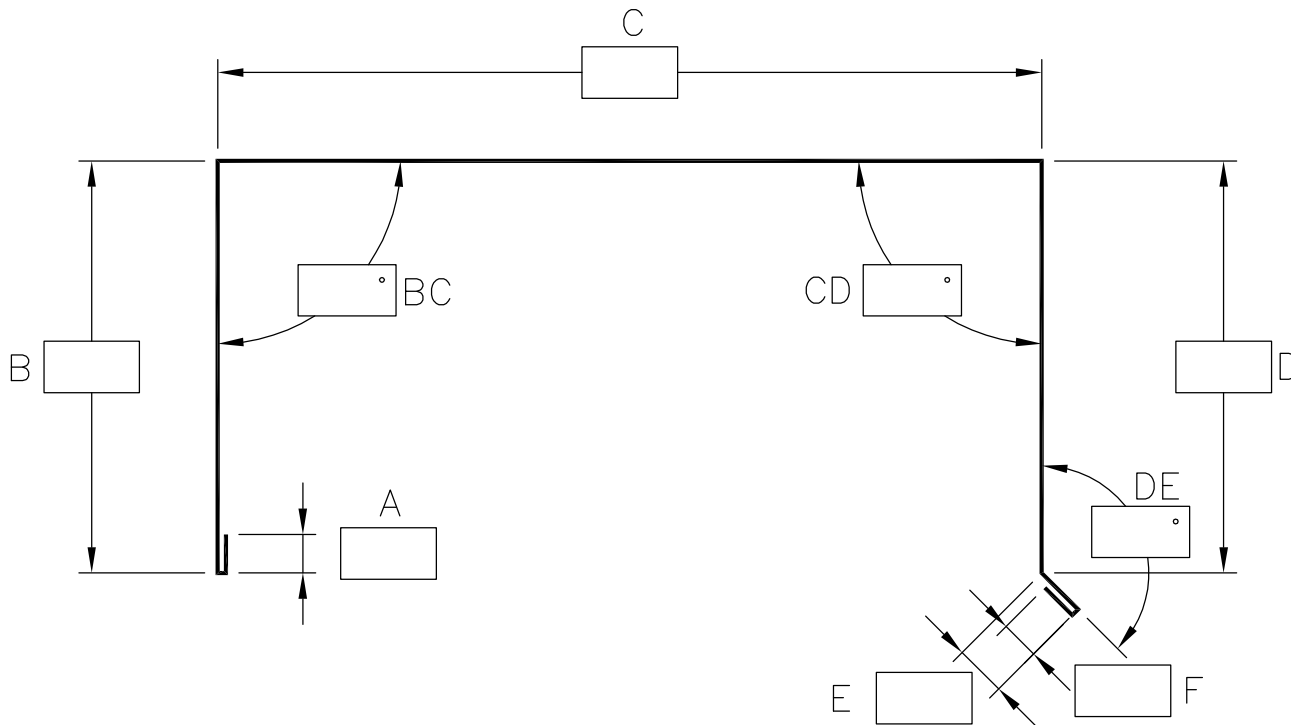
| | | |
|----------|------|--------------|
| DRAWN BY | DATE | SCALE FACTOR |
|----------|------|--------------|

DRAWING #

CAP-001



| | |
|--|---|
| CUSTOMER | |
| JOB | |
| ADDRESS | |
| CONTACT | PHONE |
| COLOR | |
| STAINLESS #2 <input type="checkbox"/> | STAINLESS #4 <input type="checkbox"/> |
| GALVANIZED <input type="checkbox"/> | PRE-PRIMED <input type="checkbox"/> |
| COPPER 16 OZ. <input type="checkbox"/> | COPPER 20 OZ. <input type="checkbox"/> |
| GAUGE 22 <input type="checkbox"/> | 24 <input type="checkbox"/> 26 <input type="checkbox"/> |
| QUANTITY | |



**FAST
FLASHINGS**

www.fastflashings.com

Kirkland 425-427-8367 Seattle 206-364-3612

TYPE

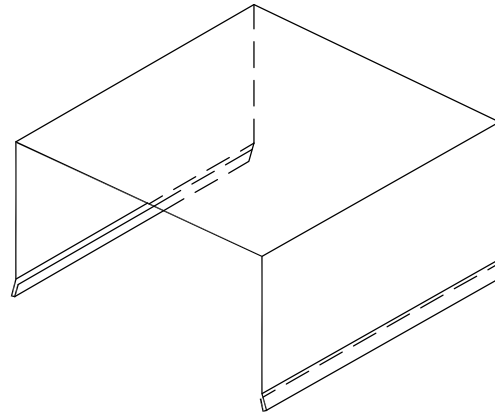
DRAWN BY

DATE

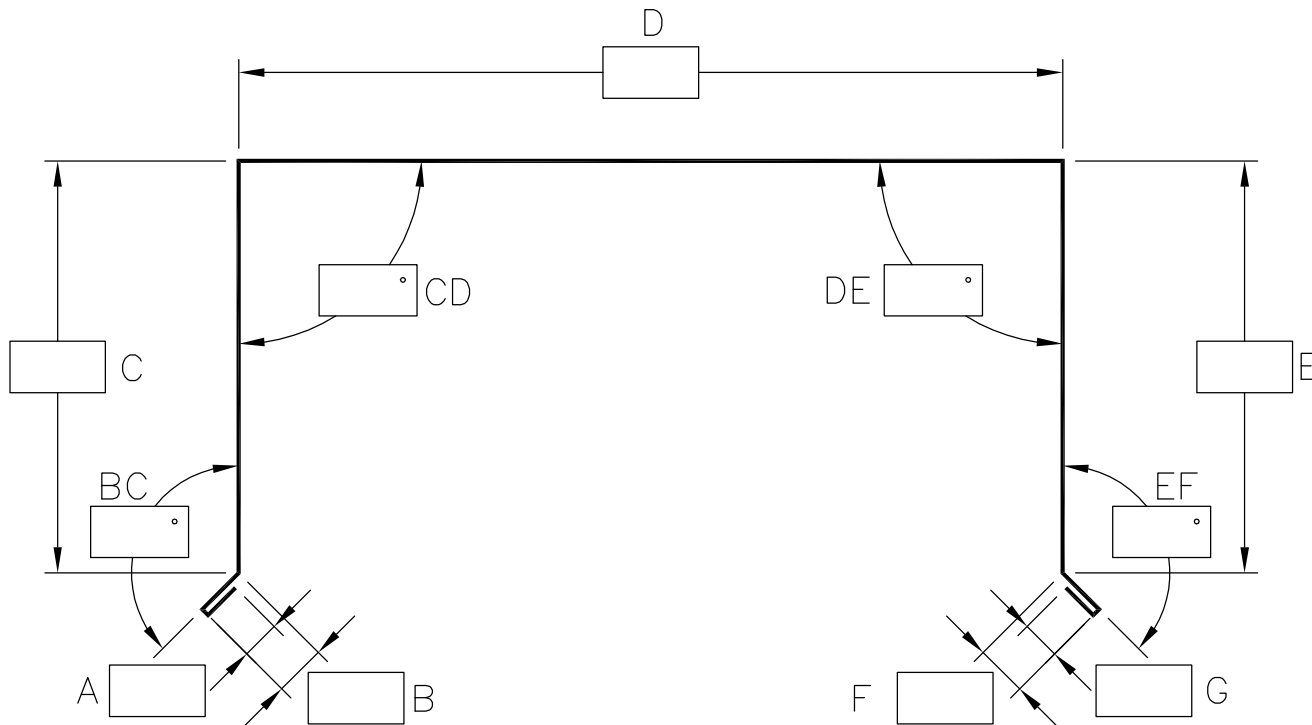
SCALE FACTOR

DRAWING #

CAP-002



| | |
|--|---|
| CUSTOMER | |
| JOB | |
| ADDRESS | |
| CONTACT | PHONE |
| COLOR | |
| STAINLESS #2 <input type="checkbox"/> | STAINLESS #4 <input type="checkbox"/> |
| GALVANIZED <input type="checkbox"/> | PRE-PRIMED <input type="checkbox"/> |
| COPPER 16 OZ. <input type="checkbox"/> | COPPER 20 OZ. <input type="checkbox"/> |
| GAUGE 22 <input type="checkbox"/> | 24 <input type="checkbox"/> 26 <input type="checkbox"/> |
| QUANTITY | |



FAST FLASHINGS
www.fastflashings.com

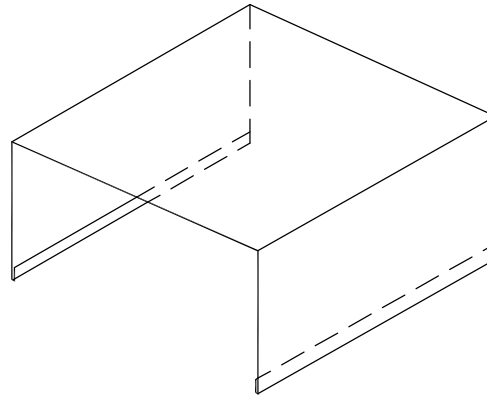
Kirkland 425-427-8367 Seattle 206-364-3612

TYPE

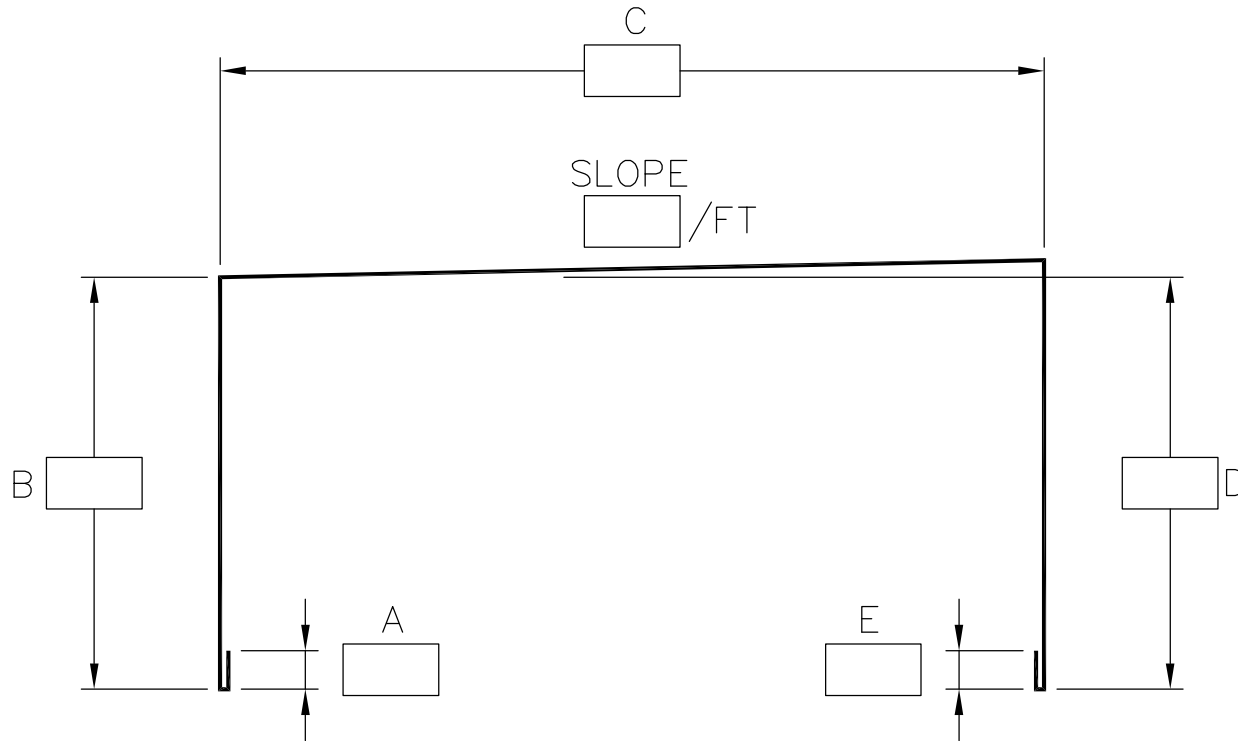
| | | |
|----------|------|--------------|
| DRAWN BY | DATE | SCALE FACTOR |
|----------|------|--------------|

DRAWING #

CAP-003



| | |
|--|---|
| CUSTOMER | |
| JOB | |
| ADDRESS | |
| CONTACT | PHONE |
| COLOR | |
| STAINLESS #2 <input type="checkbox"/> | STAINLESS #4 <input type="checkbox"/> |
| GALVANIZED <input type="checkbox"/> | PRE-PRIMED <input type="checkbox"/> |
| COPPER 16 OZ. <input type="checkbox"/> | COPPER 20 OZ. <input type="checkbox"/> |
| GAUGE 22 <input type="checkbox"/> | 24 <input type="checkbox"/> 26 <input type="checkbox"/> |
| QUANTITY | |



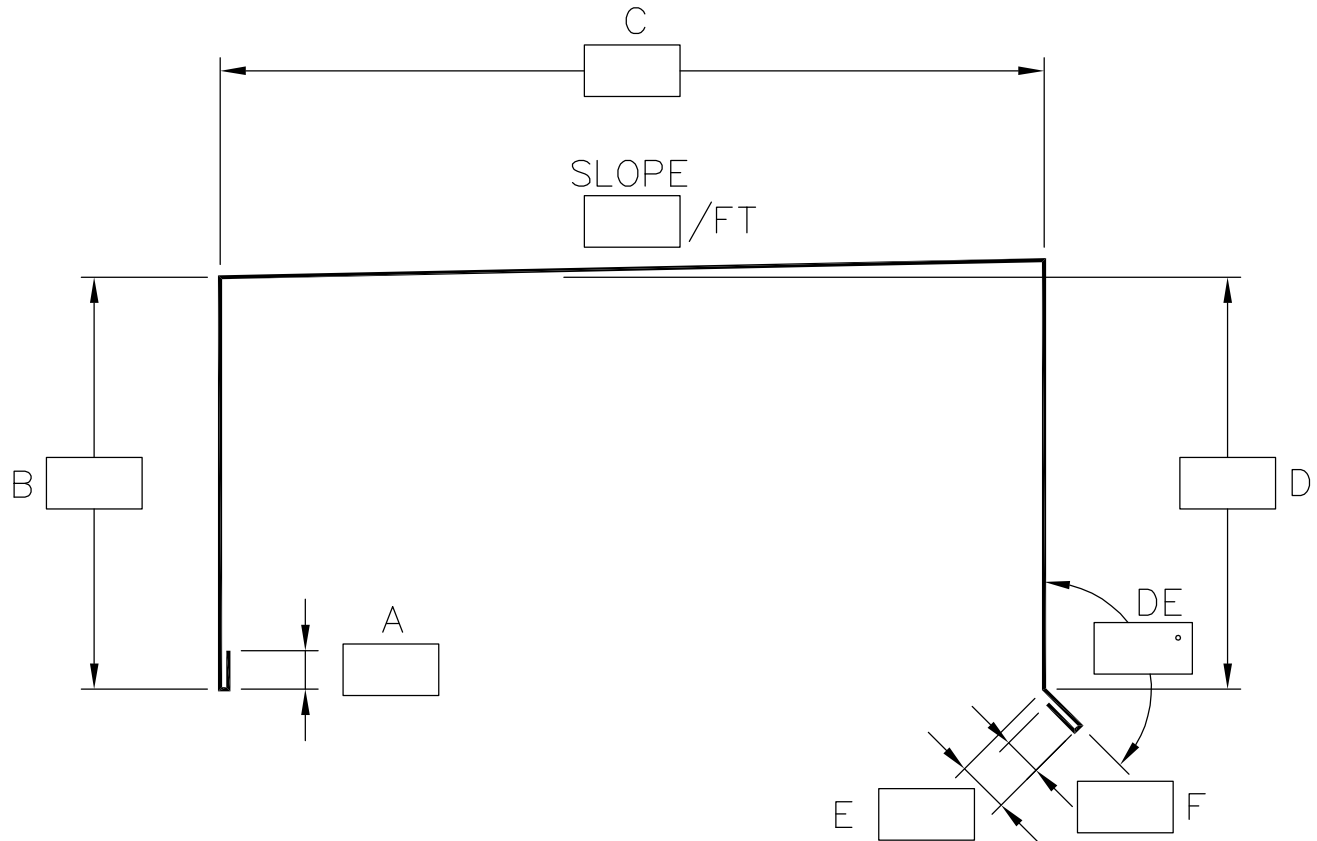
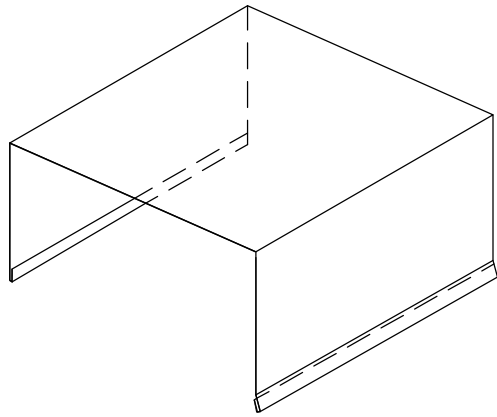
FAST FLASHINGS
www.fastflashings.com

Kirkland 425-427-8367 Seattle 206-364-3612

TYPE

| | | |
|----------|------|--------------|
| DRAWN BY | DATE | SCALE FACTOR |
|----------|------|--------------|

DRAWING #
CAP-004



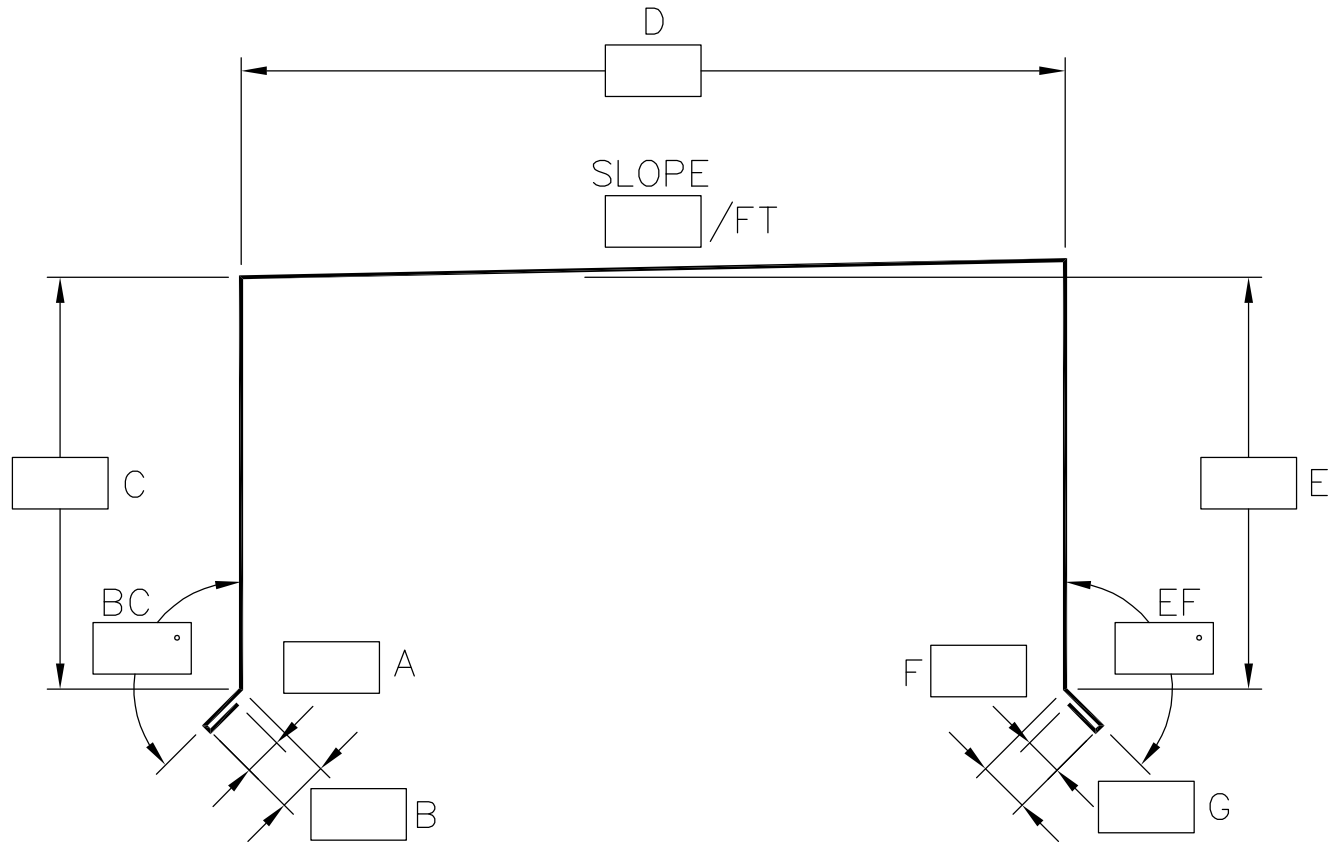
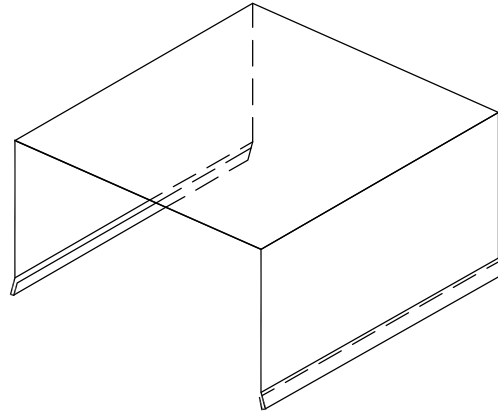
| | |
|--|--|
| CUSTOMER | |
| JOB | |
| ADDRESS | |
| CONTACT | PHONE |
| COLOR | |
| STAINLESS #2 <input type="checkbox"/> | STAINLESS #4 <input type="checkbox"/> |
| GALVANIZED <input type="checkbox"/> | PRE-PRIMED <input type="checkbox"/> |
| COPPER 16 OZ. <input type="checkbox"/> | COPPER 20 OZ. <input type="checkbox"/> |
| GAUGE 22 <input type="checkbox"/> | 24 <input type="checkbox"/> |
| 26 <input type="checkbox"/> | |
| QUANTITY | |

FAST FLASHINGS
www.fastflashings.com
 Kirkland 425-427-8367 Seattle 206-364-3612

TYPE

| | | |
|----------|------|--------------|
| DRAWN BY | DATE | SCALE FACTOR |
|----------|------|--------------|

DRAWING #
CAP-005



| | |
|--|--|
| CUSTOMER | |
| JOB | |
| ADDRESS | |
| CONTACT | PHONE |
| COLOR | |
| STAINLESS #2 <input type="checkbox"/> | STAINLESS #4 <input type="checkbox"/> |
| GALVANIZED <input type="checkbox"/> | PRE-PRIMED <input type="checkbox"/> |
| COPPER 16 OZ. <input type="checkbox"/> | COPPER 20 OZ. <input type="checkbox"/> |
| GAUGE 22 <input type="checkbox"/> | 24 <input type="checkbox"/> |
| 26 <input type="checkbox"/> | |
| QUANTITY | |

FAST FLASHINGS

www.fastflashings.com

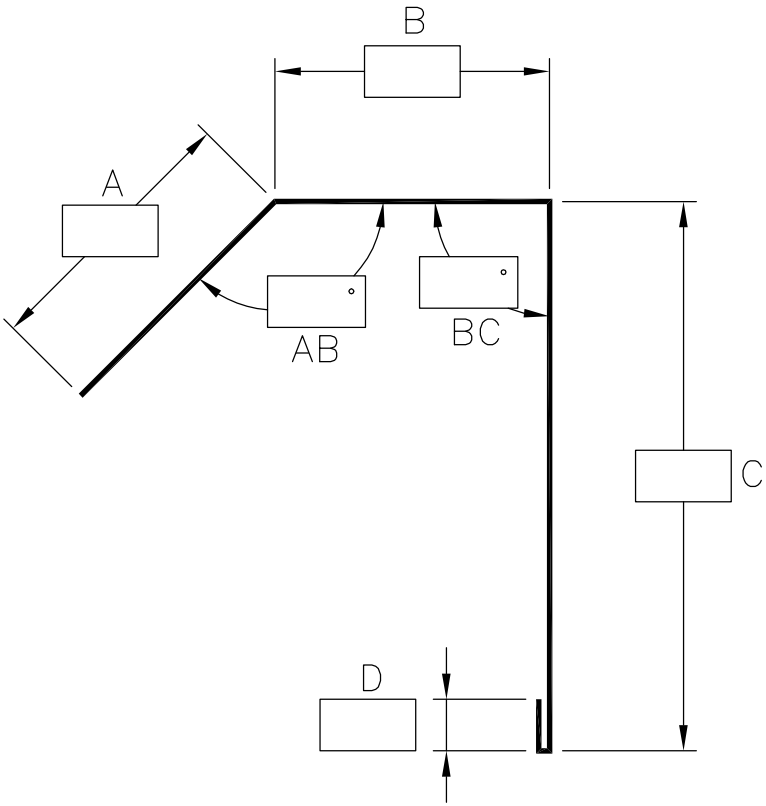
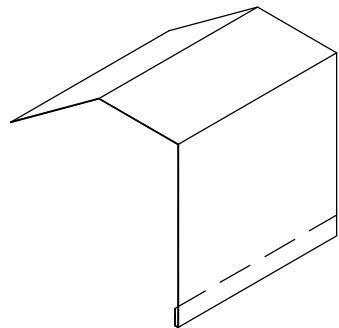
Kirkland 425-427-8367 Seattle 206-364-3612

TYPE

DRAWN BY DATE SCALE FACTOR

DRAWING #

CAP-006



| | |
|--|---|
| CUSTOMER | |
| JOB | |
| ADDRESS | |
| CONTACT | PHONE |
| COLOR | |
| STAINLESS #2 <input type="checkbox"/> | STAINLESS #4 <input type="checkbox"/> |
| GALVANIZED <input type="checkbox"/> | PRE-PRIMED <input type="checkbox"/> |
| COPPER 16 OZ. <input type="checkbox"/> | COPPER 20 OZ. <input type="checkbox"/> |
| GAUGE 22 <input type="checkbox"/> | 24 <input type="checkbox"/> 26 <input type="checkbox"/> |
| QUANTITY | |

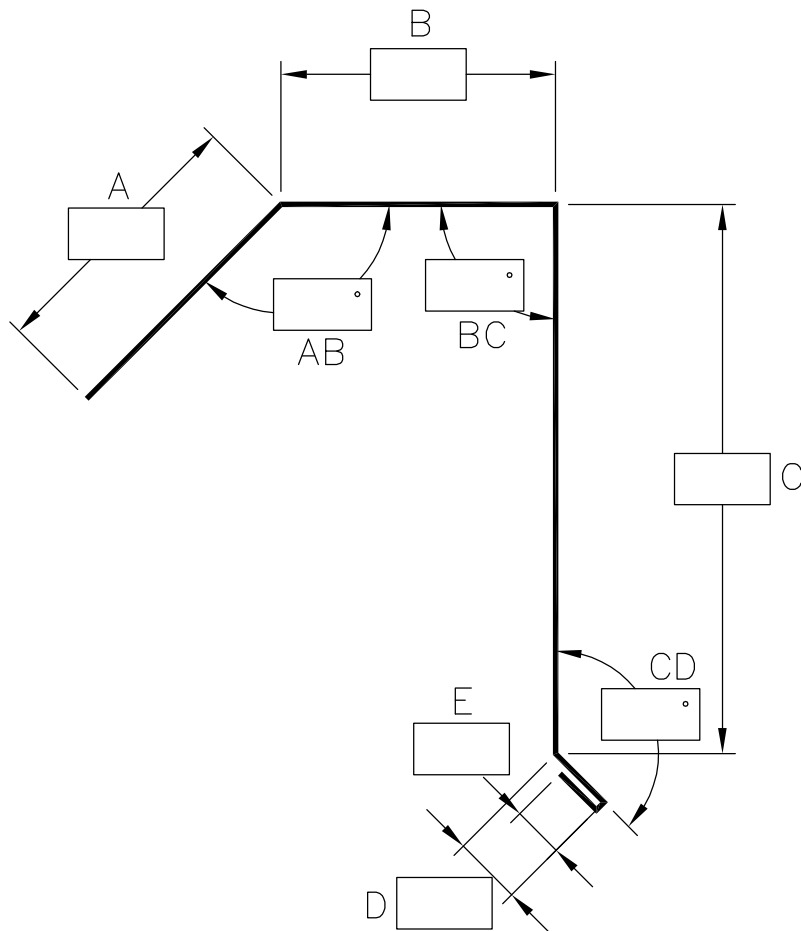
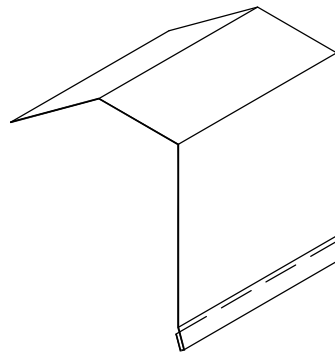
FAST FLASHINGS
www.fastflashings.com

Kirkland 425-427-8367 Seattle 206-364-3612

TYPE

| | | |
|----------|------|--------------|
| DRAWN BY | DATE | SCALE FACTOR |
|----------|------|--------------|

DRAWING #
CAP-007



| | |
|--|---|
| CUSTOMER | |
| JOB | |
| ADDRESS | |
| CONTACT | PHONE |
| COLOR | |
| STAINLESS #2 <input type="checkbox"/> | STAINLESS #4 <input type="checkbox"/> |
| GALVANIZED <input type="checkbox"/> | PRE-PRIMED <input type="checkbox"/> |
| COPPER 16 OZ. <input type="checkbox"/> | COPPER 20 OZ. <input type="checkbox"/> |
| GAUGE 22 <input type="checkbox"/> | 24 <input type="checkbox"/> 26 <input type="checkbox"/> |
| QUANTITY | |

**FAST
FLASHINGS**
www.fastflashings.com

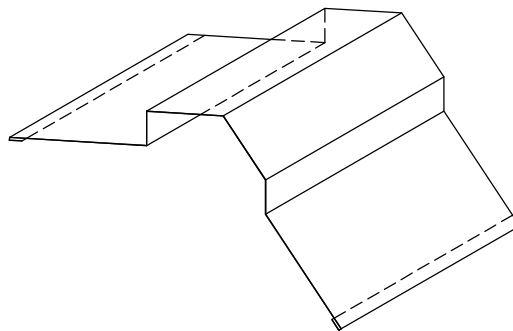
Kirkland 425-427-8367 Seattle 206-364-3612

TYPE

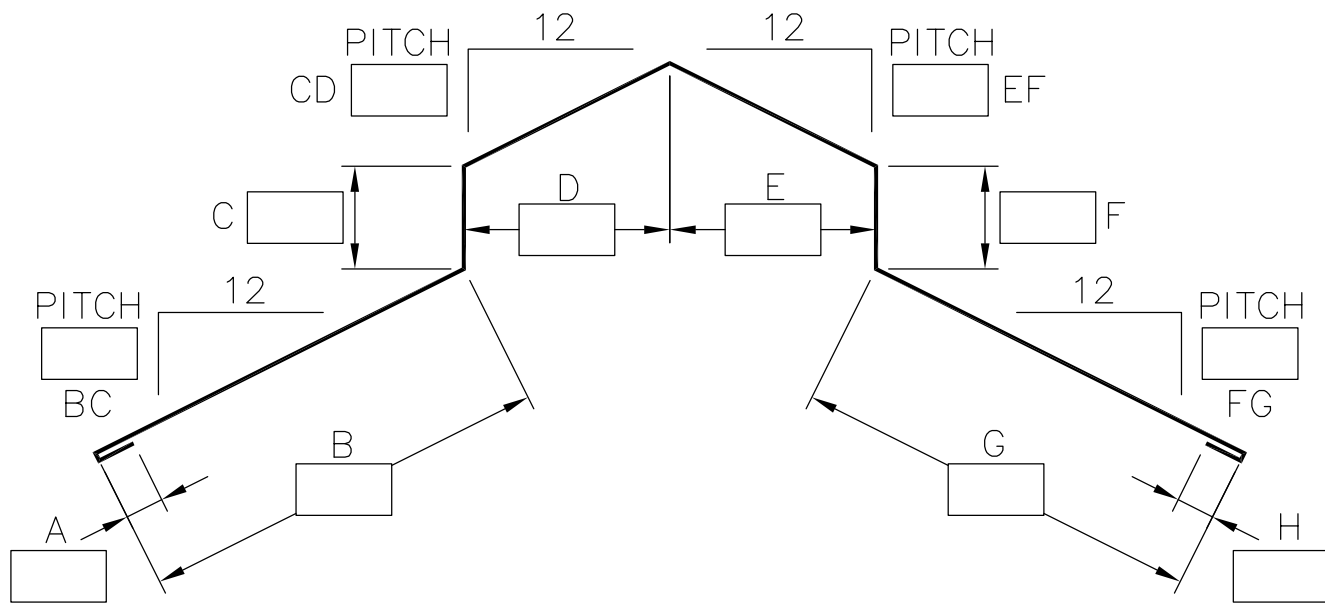
DRAWN BY DATE SCALE FACTOR

DRAWING #

CAP-008



| | |
|--|---|
| CUSTOMER | |
| JOB | |
| ADDRESS | |
| CONTACT | PHONE |
| COLOR | |
| STAINLESS #2 <input type="checkbox"/> | STAINLESS #4 <input type="checkbox"/> |
| GALVANIZED <input type="checkbox"/> | PRE-PRIMED <input type="checkbox"/> |
| COPPER 16 OZ. <input type="checkbox"/> | COPPER 20 OZ. <input type="checkbox"/> |
| GUAGE 22 <input type="checkbox"/> | 24 <input type="checkbox"/> 26 <input type="checkbox"/> |
| QUANTITY | |



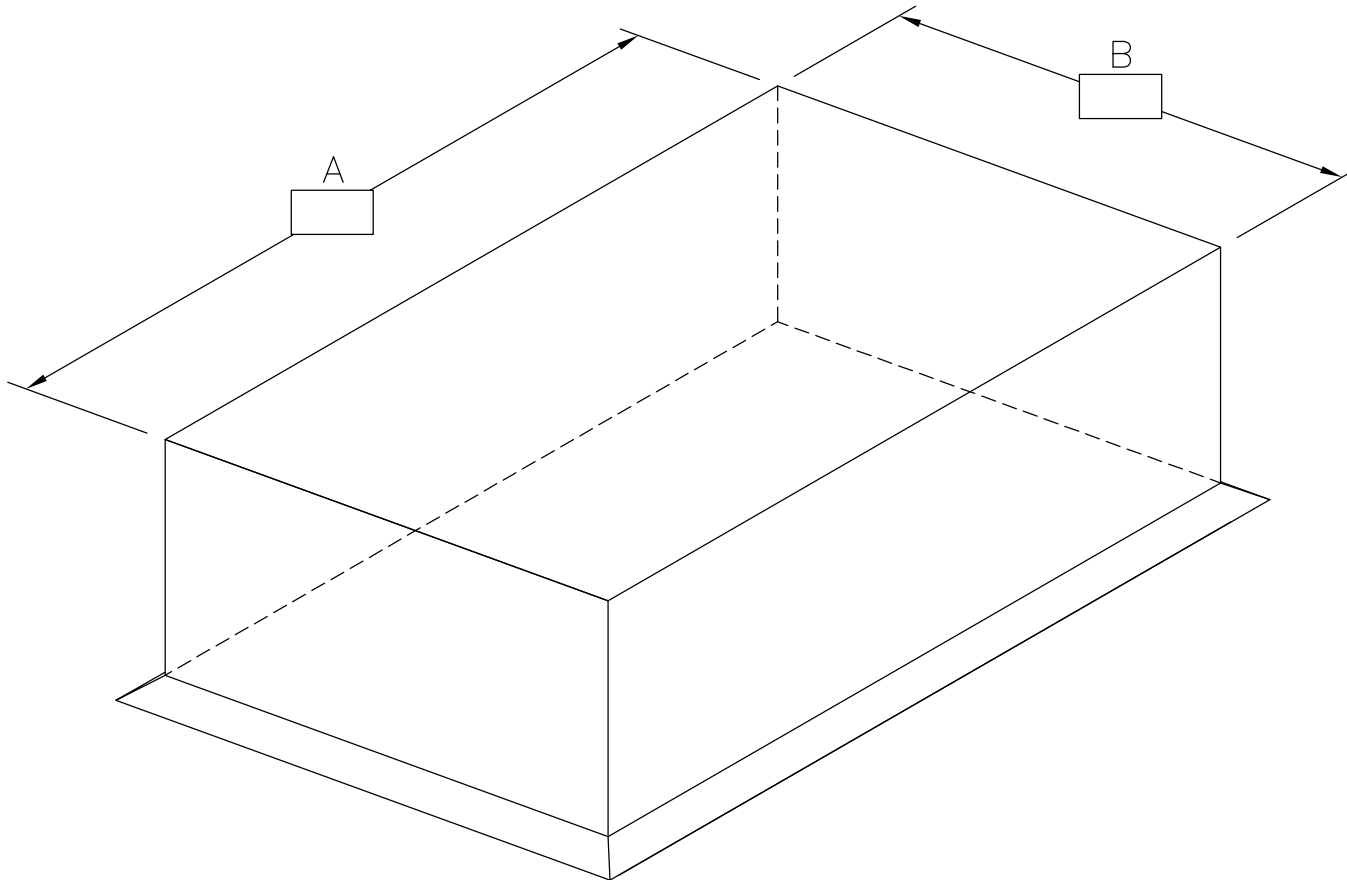
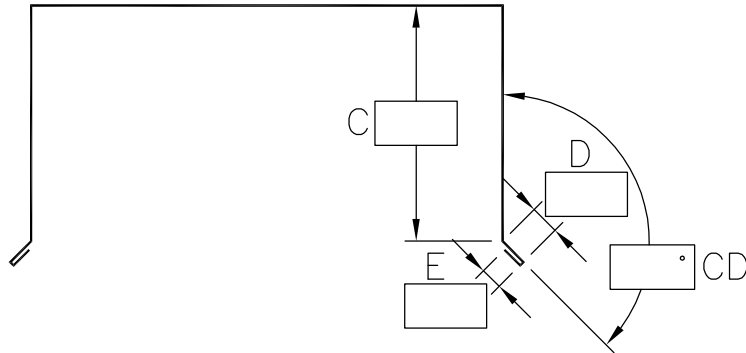
FAST FLASHINGS
www.fastflashings.com

Kirkland 425-427-8367 Seattle 206-364-3612

TYPE

| | | |
|----------|------|--------------|
| DRAWN BY | DATE | SCALE FACTOR |
|----------|------|--------------|

DRAWING #
CAP-009



| | |
|--|--|
| CUSTOMER | |
| JOB | |
| ADDRESS | |
| CONTACT | PHONE |
| COLOR | |
| STAINLESS #2 <input type="checkbox"/> | STAINLESS #4 <input type="checkbox"/> |
| GALVANIZED <input type="checkbox"/> | PRE-PRIMED <input type="checkbox"/> |
| COPPER 16 OZ. <input type="checkbox"/> | COPPER 20 OZ. <input type="checkbox"/> |
| GAUGE 22 <input type="checkbox"/> | 24 <input type="checkbox"/> |
| 26 <input type="checkbox"/> | |
| QUANTITY | |

FAST FLASHINGS
www.fastflashings.com

Kirkland 425-427-8367 Seattle 206-364-3612

TYPE

| | | |
|----------|------|--------------|
| DRAWN BY | DATE | SCALE FACTOR |
|----------|------|--------------|

DRAWING #

CAP-010