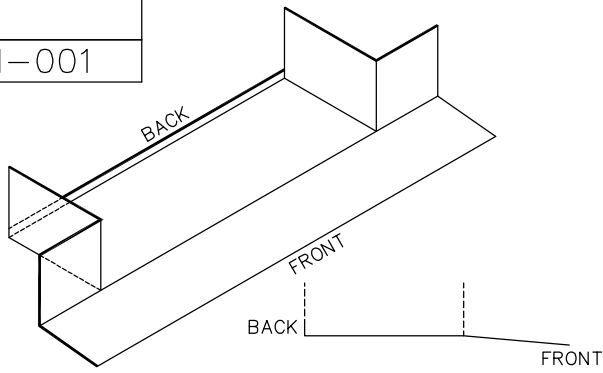
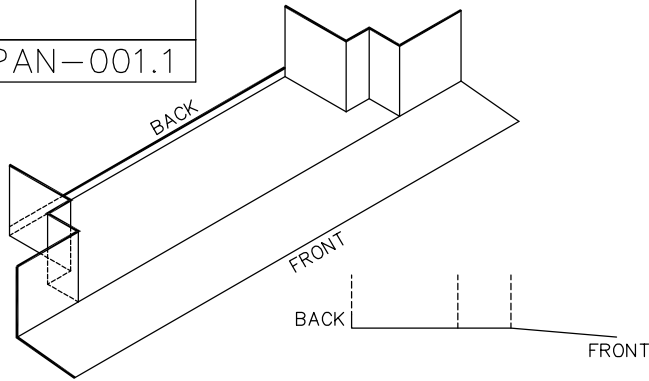


PAN-001



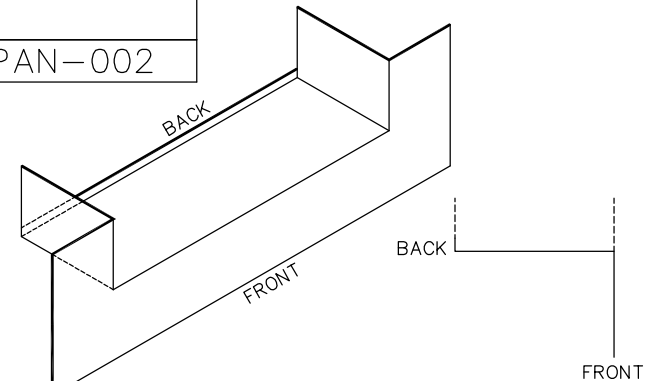
- | | |
|----------------|------------------|
| PAN-001 | PAN-001-B |
| NO HEMS | BACK HEM ONLY |
| PAN-001-F | PAN-001-BF |
| FRONT HEM ONLY | BACK & FRONT HEM |

PAN-001.1



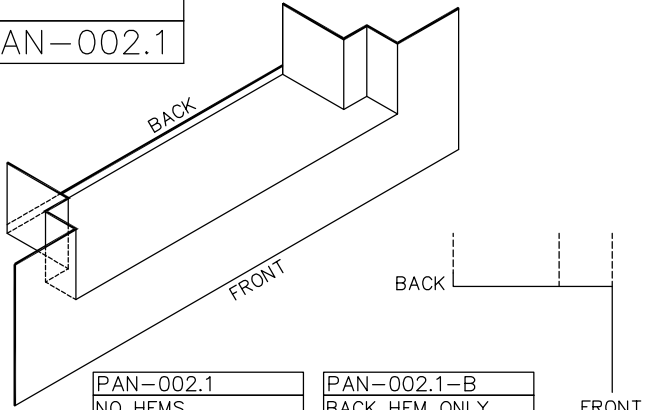
- | | |
|----------------|------------------|
| PAN-001.1 | PAN-001.1-B |
| NO HEMS | BACK HEM ONLY |
| PAN-001.1-F | PAN-001.1-BF |
| FRONT HEM ONLY | BACK & FRONT HEM |

PAN-002



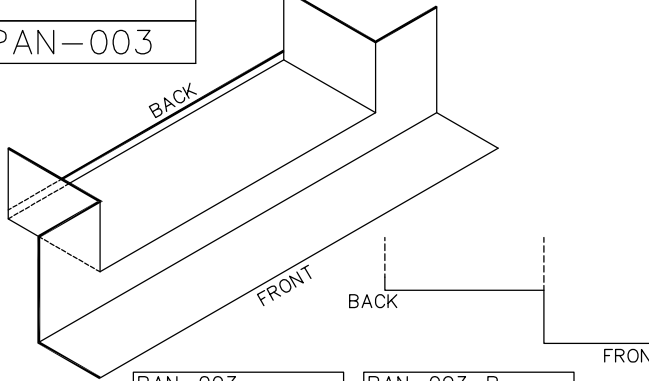
- | | |
|----------------|------------------|
| PAN-002 | PAN-002-B |
| NO HEMS | BACK HEM ONLY |
| PAN-002-F | PAN-002-BF |
| FRONT HEM ONLY | BACK & FRONT HEM |

PAN-002.1



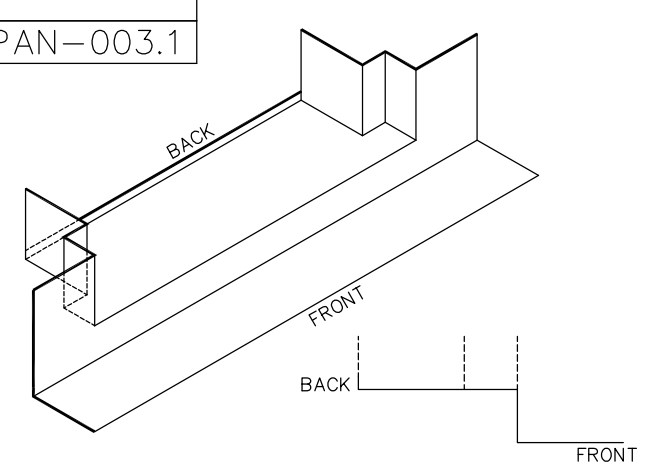
- | | |
|----------------|------------------|
| PAN-002.1 | PAN-002.1-B |
| NO HEMS | BACK HEM ONLY |
| PAN-002.1-F | PAN-002.1-BF |
| FRONT HEM ONLY | BACK & FRONT HEM |

PAN-003



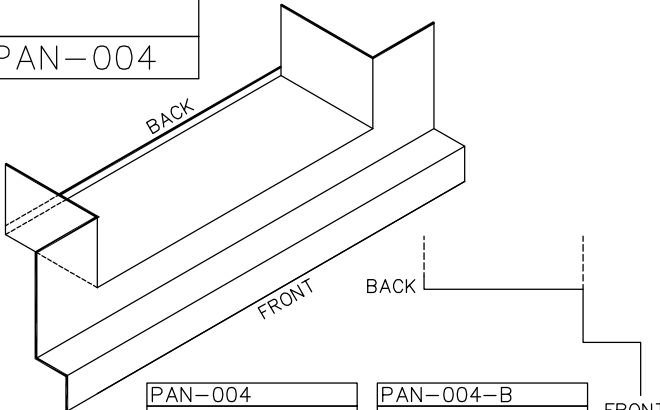
- | | |
|----------------|------------------|
| PAN-003 | PAN-003-B |
| NO HEMS | BACK HEM ONLY |
| PAN-003-F | PAN-003-BF |
| FRONT HEM ONLY | BACK & FRONT HEM |

PAN-003.1



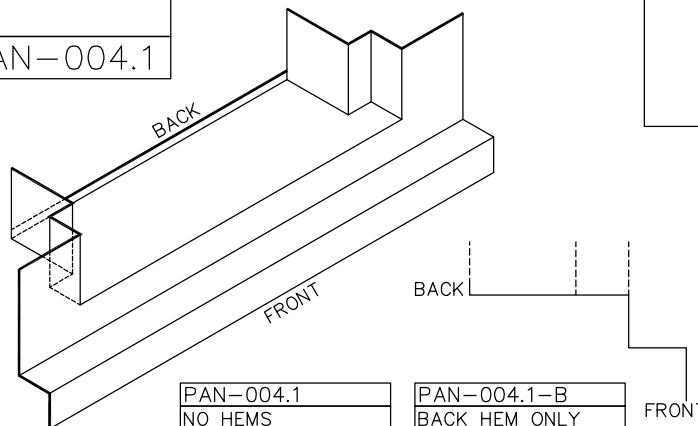
- | | |
|----------------|------------------|
| PAN-003.1 | PAN-003.1-B |
| NO HEMS | BACK HEM ONLY |
| PAN-003.1-F | PAN-003.1-BF |
| FRONT HEM ONLY | BACK & FRONT HEM |

PAN-004



- | | |
|----------------|------------------|
| PAN-004 | PAN-004-B |
| NO HEMS | BACK HEM ONLY |
| PAN-004-F | PAN-004-BF |
| FRONT HEM ONLY | BACK & FRONT HEM |

PAN-004.1



- | | |
|----------------|------------------|
| PAN-004.1 | PAN-004.1-B |
| NO HEMS | BACK HEM ONLY |
| PAN-004.1-F | PAN-004.1-BF |
| FRONT HEM ONLY | BACK & FRONT HEM |

FAST FLASHINGS

www.fastflashings.com

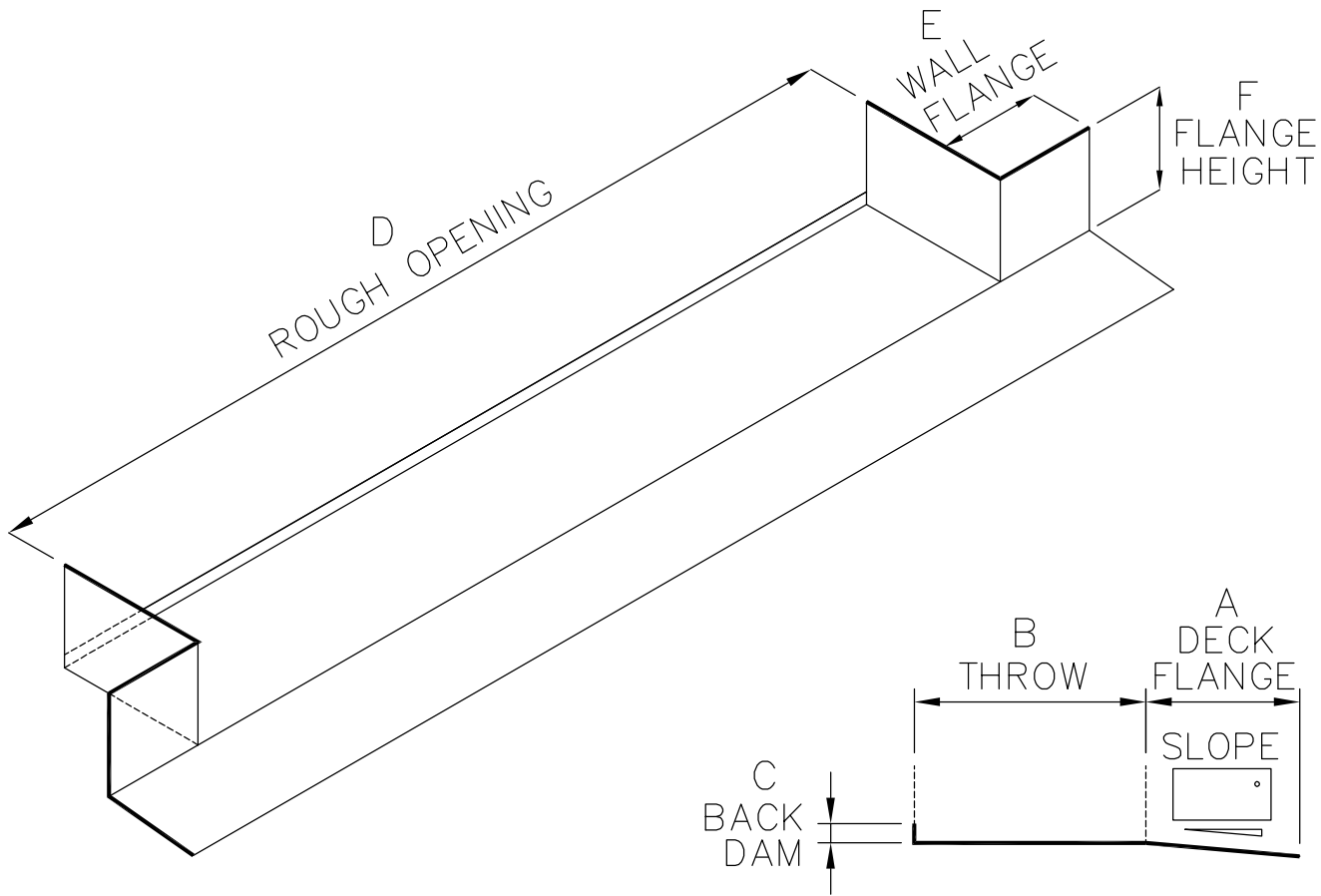
Kirkland 425-427-8367 Seattle 206-364-3612

DRAWN BY	DATE	SCALE FACTOR
----------	------	--------------

DRAWING #
PAN-LEGEND

PAN-001 - PAN-004

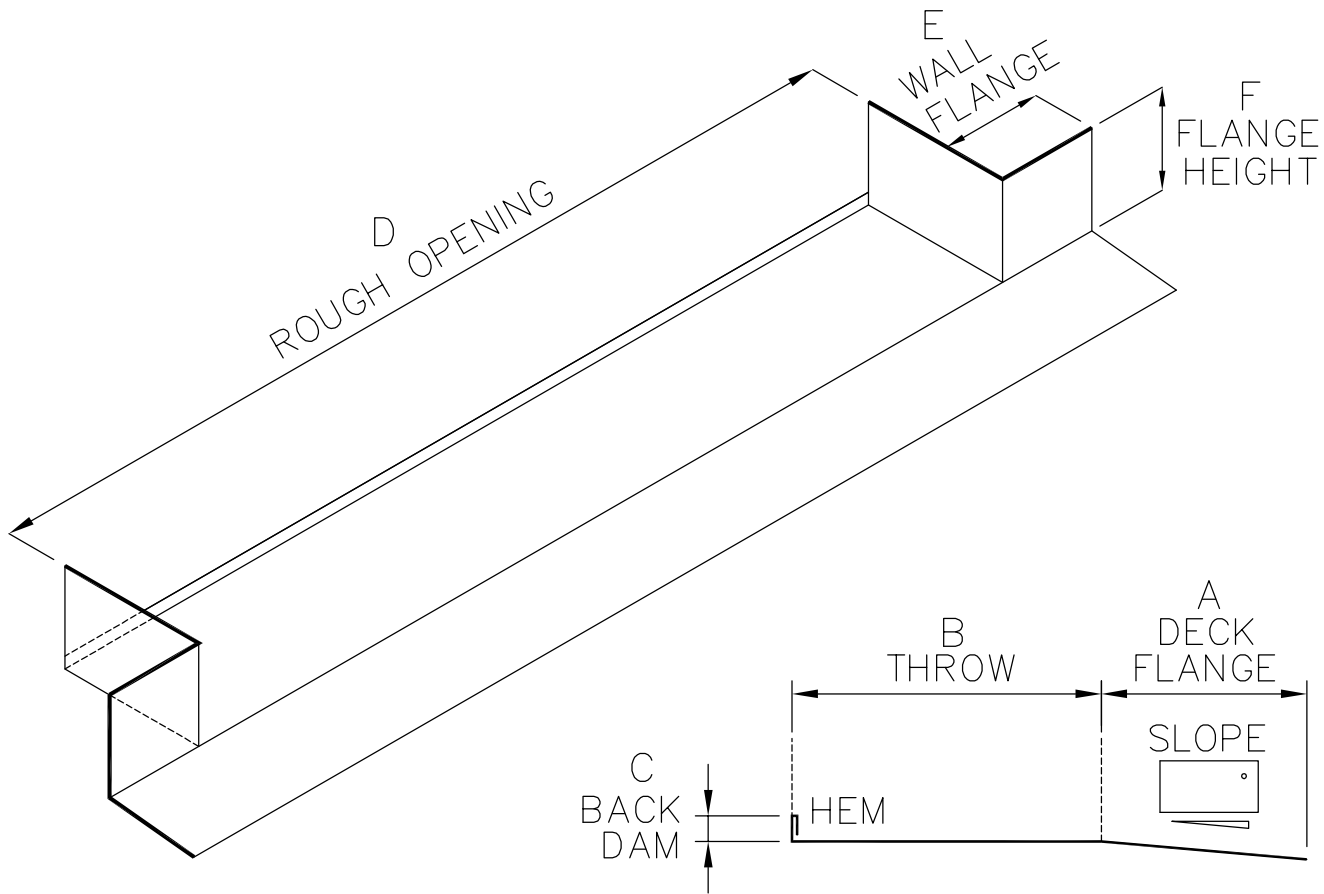
UNIT	A DECK FLANGE	B THROW	C BACK DAM	D ROUGH OPENING	E WALL FLANGE	F FLANGE HEIGHT



CUSTOMER		
JOB		
ADDRESS		
CONTACT	PHONE	
COLOR		
STAINLESS #2 <input type="checkbox"/>	STAINLESS #4 <input type="checkbox"/>	
GALVANIZED <input type="checkbox"/>	PRE-PRIMED <input type="checkbox"/>	
COPPER 16 OZ. <input type="checkbox"/>	COPPER 20 OZ. <input type="checkbox"/>	
GAUGE 22 <input type="checkbox"/>	24 <input type="checkbox"/>	26 <input type="checkbox"/>
QUANTITY		

FAST FLASHINGS www.fastflashings.com		
Kirkland 425-427-8367 Seattle 206-364-3612		
TYPE		
DRAWN BY	DATE	SCALE FACTOR
DRAWING #		
PAN-001		

UNIT	A DECK FLANGE	B THROW	C BACK DAM	D ROUGH OPENING	E WALL FLANGE	F FLANGE HEIGHT



CUSTOMER		
JOB		
ADDRESS		
CONTACT	PHONE	
COLOR		
STAINLESS #2 <input type="checkbox"/>	STAINLESS #4 <input type="checkbox"/>	
GALVANIZED <input type="checkbox"/>	PRE-PRIMED <input type="checkbox"/>	
COPPER 16 OZ. <input type="checkbox"/>	COPPER 20 OZ. <input type="checkbox"/>	
GAUGE 22 <input type="checkbox"/>	24 <input type="checkbox"/>	26 <input type="checkbox"/>
QUANTITY		

FAST FLASHINGS
www.fastflashings.com

Kirkland 425-427-8367 Seattle 206-364-3612

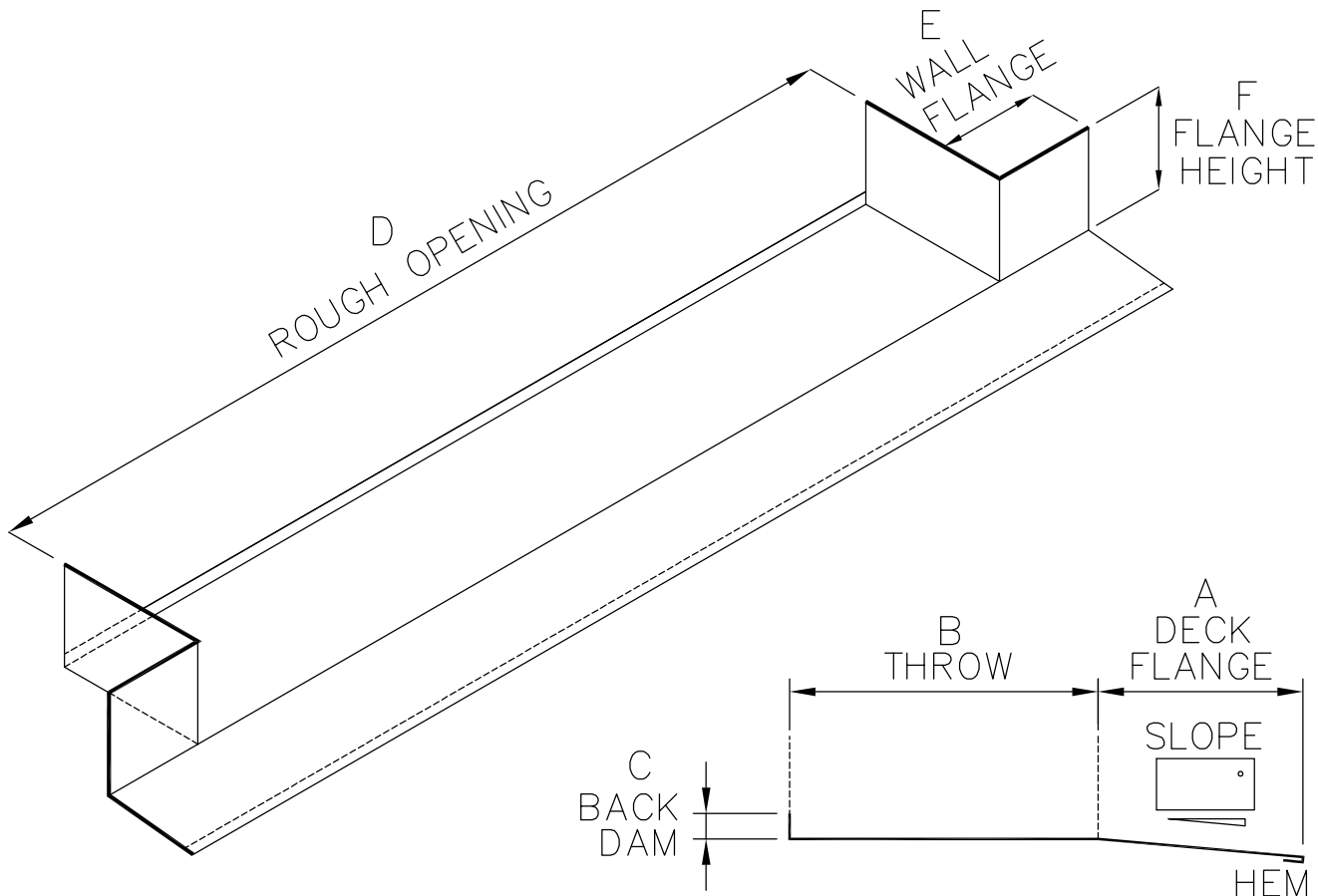
TYPE

DRAWN BY	DATE	SCALE FACTOR
----------	------	--------------

DRAWING #

PAN-001-B

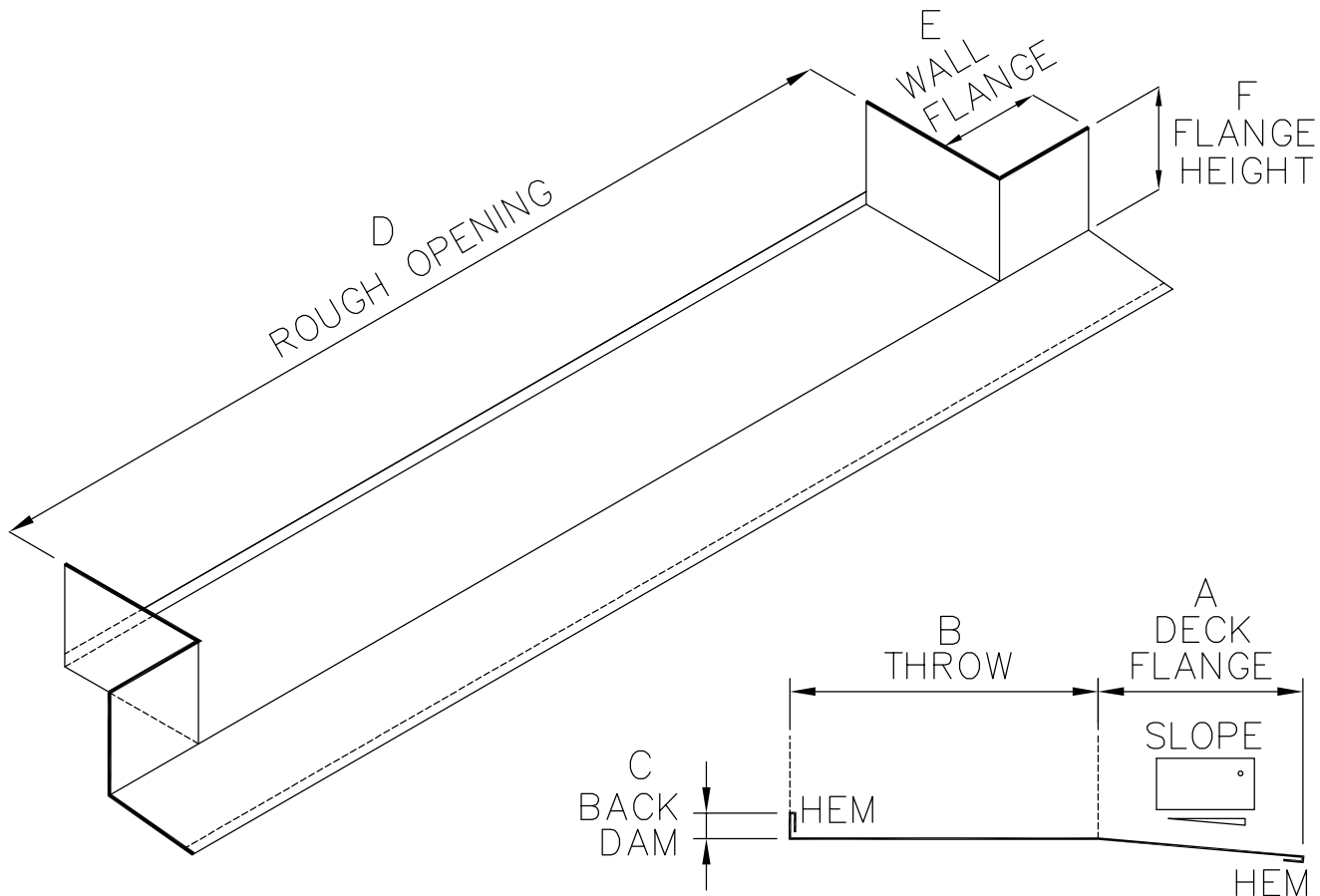
UNIT	A DECK FLANGE	B THROW	C BACK DAM	D ROUGH OPENING	E WALL FLANGE	F FLANGE HEIGHT



CUSTOMER		
JOB		
ADDRESS		
CONTACT	PHONE	
COLOR		
STAINLESS #2 <input type="checkbox"/>	STAINLESS #4 <input type="checkbox"/>	
GALVANIZED <input type="checkbox"/>	PRE-PRIMED <input type="checkbox"/>	
COPPER 16 OZ. <input type="checkbox"/>	COPPER 20 OZ. <input type="checkbox"/>	
GAUGE 22 <input type="checkbox"/>	24 <input type="checkbox"/>	26 <input type="checkbox"/>
QUANTITY		

FAST FLASHINGS www.fastflashings.com		
Kirkland 425-427-8367 Seattle 206-364-3612		
TYPE		
DRAWN BY	DATE	SCALE FACTOR
DRAWING #		
PAN-001-F		

UNIT	A DECK FLANGE	B THROW	C BACK DAM	D ROUGH OPENING	E WALL FLANGE	F FLANGE HEIGHT



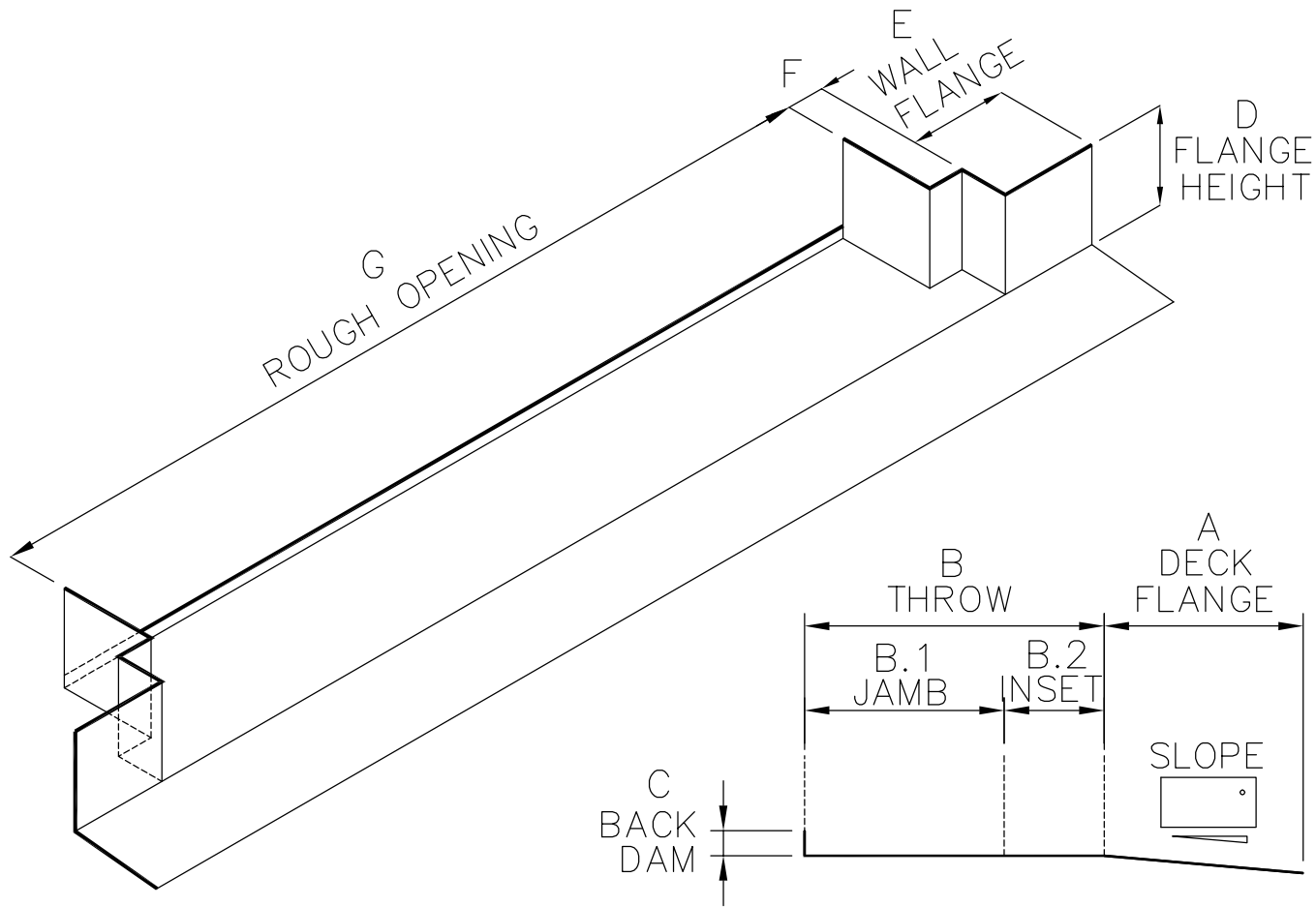
CUSTOMER		
JOB		
ADDRESS		
CONTACT	PHONE	
COLOR		
STAINLESS #2 <input type="checkbox"/>	STAINLESS #4 <input type="checkbox"/>	
GALVANIZED <input type="checkbox"/>	PRE-PRIMED <input type="checkbox"/>	
COPPER 16 OZ. <input type="checkbox"/>	COPPER 20 OZ. <input type="checkbox"/>	
GAUGE 22 <input type="checkbox"/>	24 <input type="checkbox"/>	26 <input type="checkbox"/>
QUANTITY		

FAST FLASHINGS
www.fastflashings.com
Kirkland 425-427-8367 Seattle 206-364-3612

TYPE		
DRAWN BY	DATE	SCALE FACTOR
DRAWING #		
PAN-001-BF		

UNIT	A DECK FLANGE	B.1 JAMB	B.2 INSET	B THROW	C BACK DAM	D FLANGE HEIGHT	E WALL FLANGE	F JAMB DEPTH	G ROUGH OPENING

CUSTOMER		
JOB		
ADDRESS		
CONTACT	PHONE	
COLOR		
STAINLESS #2 <input type="checkbox"/>	STAINLESS #4 <input type="checkbox"/>	
GALVANIZED <input type="checkbox"/>	PRE-PRIMED <input type="checkbox"/>	
COPPER 16 OZ. <input type="checkbox"/>	COPPER 20 OZ. <input type="checkbox"/>	
GAUGE 22 <input type="checkbox"/>	24 <input type="checkbox"/>	26 <input type="checkbox"/>
QUANTITY		



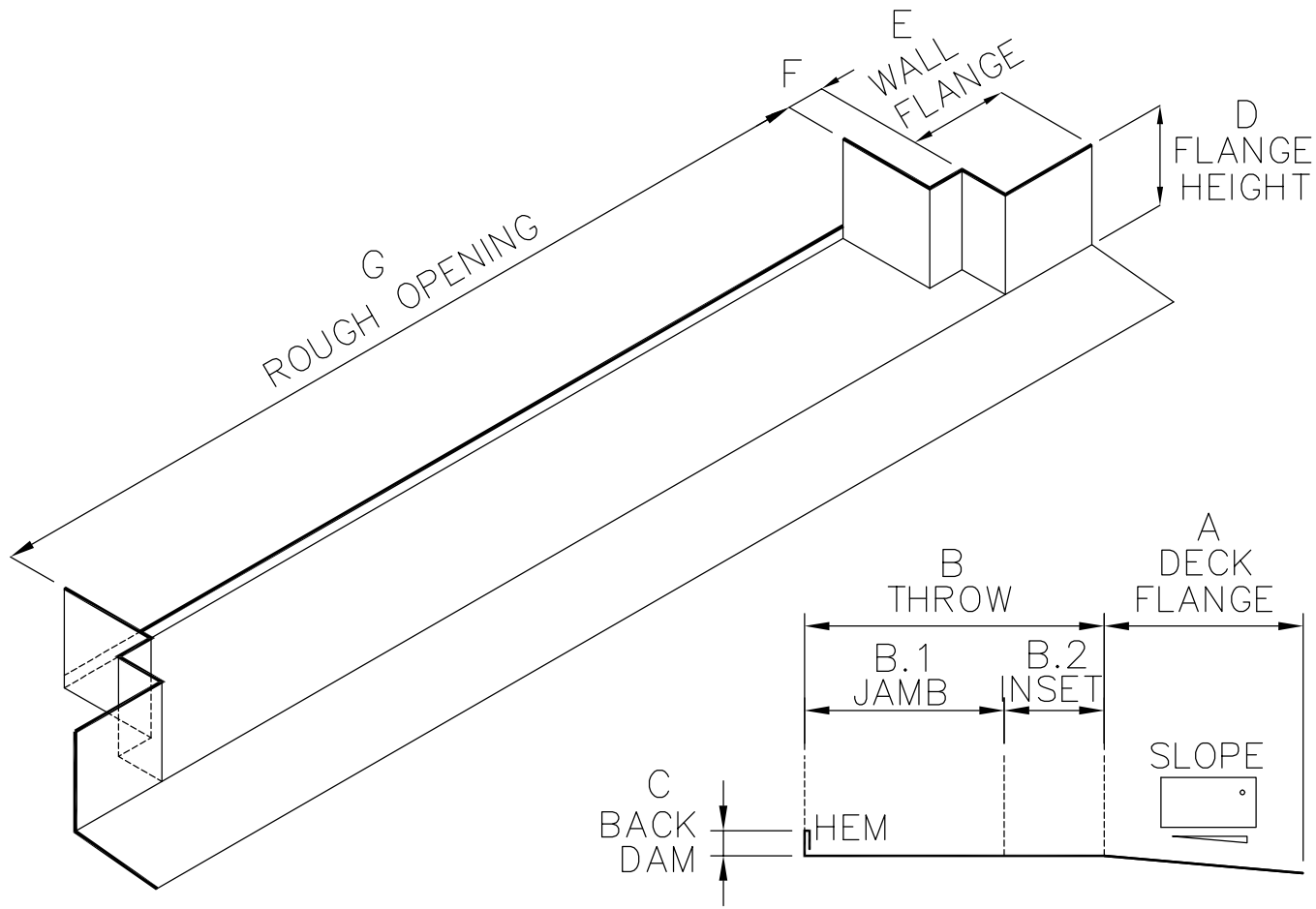
FAST FLASHINGS
www.fastflashings.com

Kirkland 425-427-8367 Seattle 206-364-3612

TYPE		
DRAWN BY	DATE	SCALE FACTOR
DRAWING #		
PAN-001.1		

UNIT	A DECK FLANGE	B.1 JAMB	B.2 INSET	B THROW	C BACK DAM	D FLANGE HEIGHT	E WALL FLANGE	F JAMB DEPTH	G ROUGH OPENING

CUSTOMER		
JOB		
ADDRESS		
CONTACT	PHONE	
COLOR		
STAINLESS #2 <input type="checkbox"/>	STAINLESS #4 <input type="checkbox"/>	
GALVANIZED <input type="checkbox"/>	PRE-PRIMED <input type="checkbox"/>	
COPPER 16 OZ. <input type="checkbox"/>	COPPER 20 OZ. <input type="checkbox"/>	
GAUGE 22 <input type="checkbox"/>	24 <input type="checkbox"/>	26 <input type="checkbox"/>
QUANTITY		



FAST FLASHINGS
www.fastflashings.com

Kirkland 425-427-8367 Seattle 206-364-3612

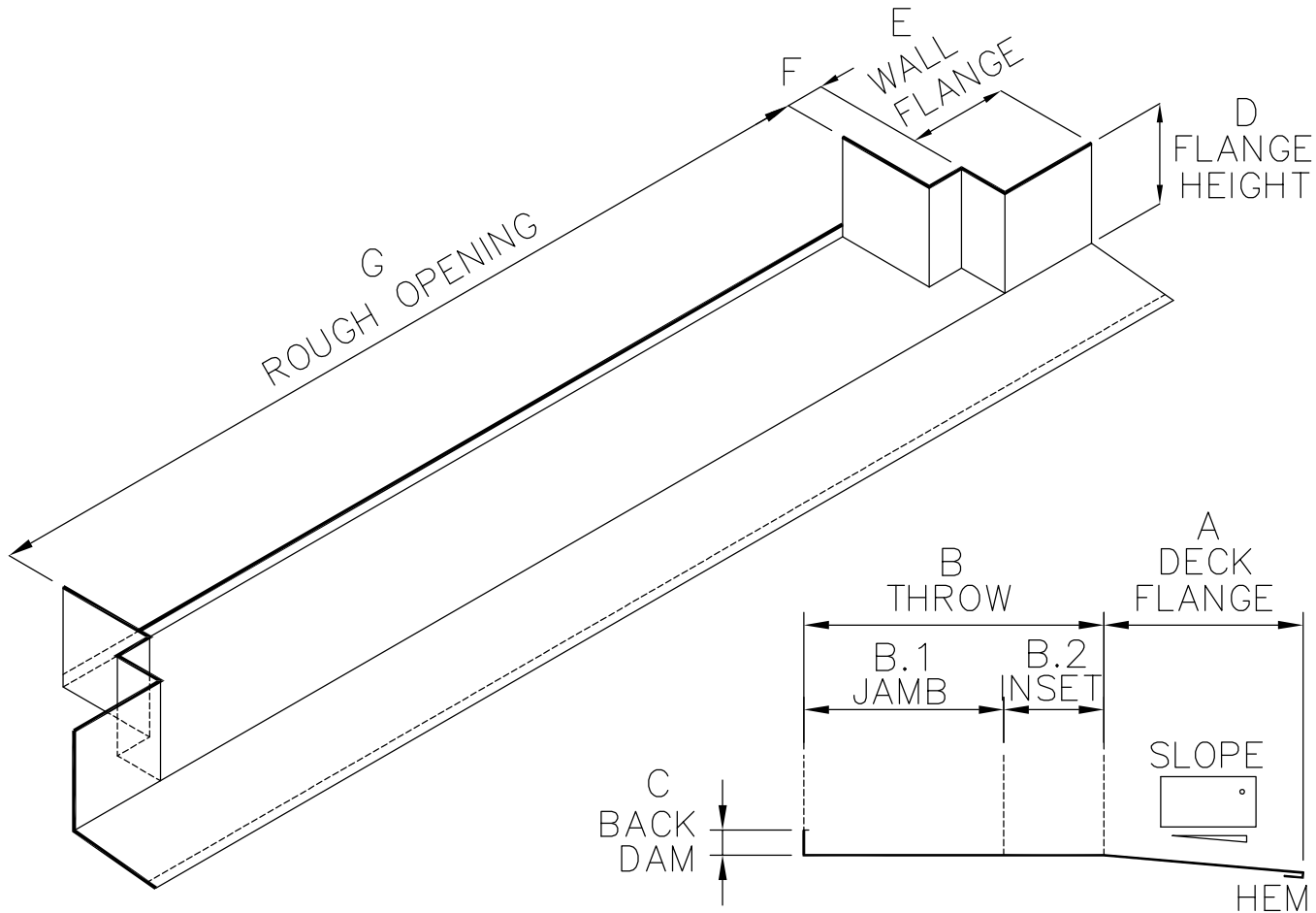
TYPE

DRAWN BY DATE SCALE FACTOR

DRAWING #
PAN-001.1-B

UNIT	A DECK FLANGE	B.1 JAMB	B.2 INSET	B THROW	C BACK DAM	D FLANGE HEIGHT	E WALL FLANGE	F JAMB DEPTH	G ROUGH OPENING

CUSTOMER		
JOB		
ADDRESS		
CONTACT	PHONE	
COLOR		
STAINLESS #2 <input type="checkbox"/>	STAINLESS #4 <input type="checkbox"/>	
GALVANIZED <input type="checkbox"/>	PRE-PRIMED <input type="checkbox"/>	
COPPER 16 OZ. <input type="checkbox"/>	COPPER 20 OZ. <input type="checkbox"/>	
GAUGE 22 <input type="checkbox"/>	24 <input type="checkbox"/>	26 <input type="checkbox"/>
QUANTITY		



FAST FLASHINGS
www.fastflashings.com

Kirkland 425-427-8367 Seattle 206-364-3612

TYPE

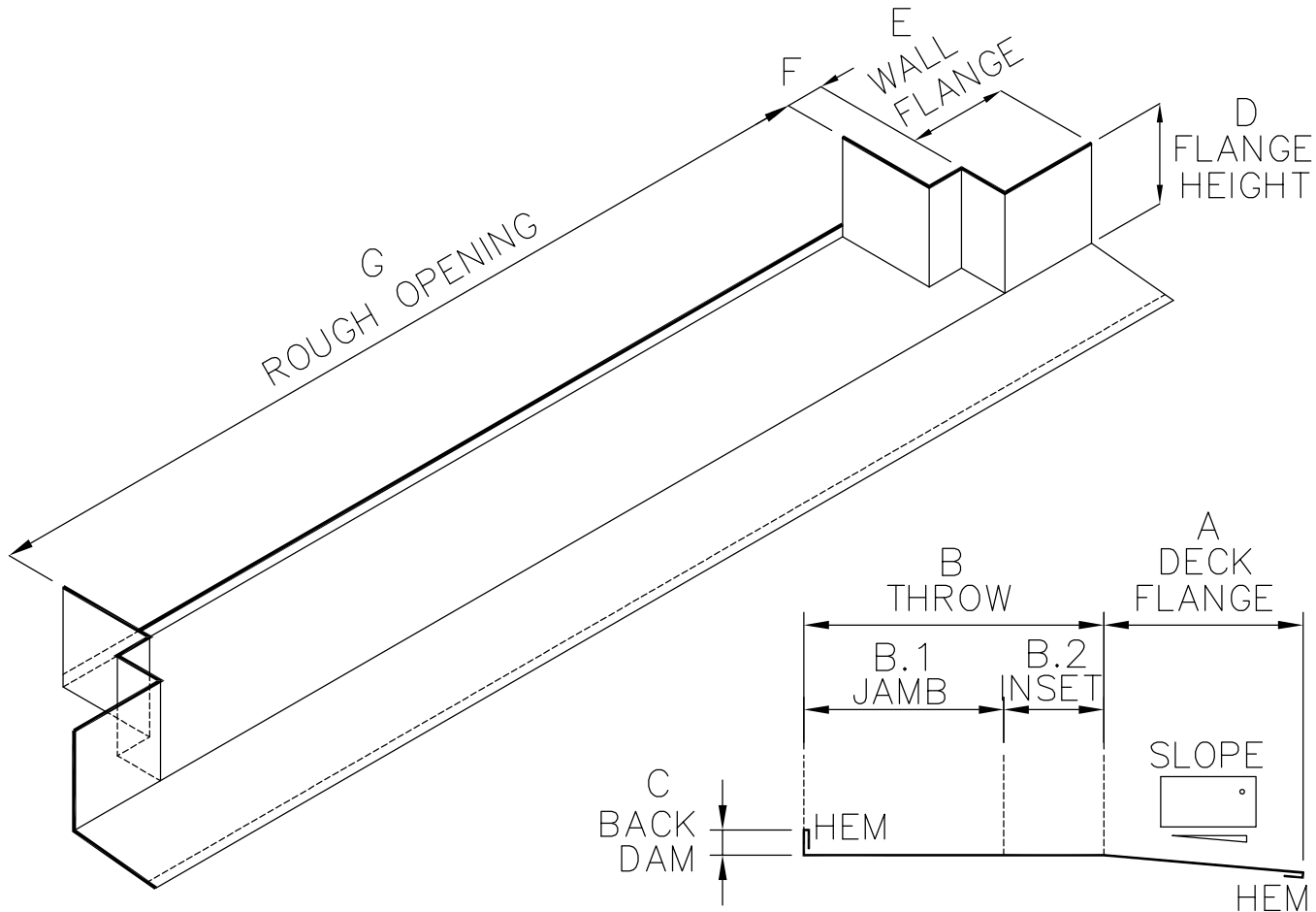
DRAWN BY	DATE	SCALE FACTOR
----------	------	--------------

DRAWING #

PAN-001.1-F

UNIT	A DECK FLANGE	B.1 JAMB	B.2 INSET	B THROW	C BACK DAM	D FLANGE HEIGHT	E WALL FLANGE	F JAMB DEPTH	G ROUGH OPENING

CUSTOMER		
JOB		
ADDRESS		
CONTACT	PHONE	
COLOR		
STAINLESS #2 <input type="checkbox"/>	STAINLESS #4 <input type="checkbox"/>	
GALVANIZED <input type="checkbox"/>	PRE-PRIMED <input type="checkbox"/>	
COPPER 16 OZ. <input type="checkbox"/>	COPPER 20 OZ. <input type="checkbox"/>	
GAUGE 22 <input type="checkbox"/>	24 <input type="checkbox"/>	26 <input type="checkbox"/>
QUANTITY		



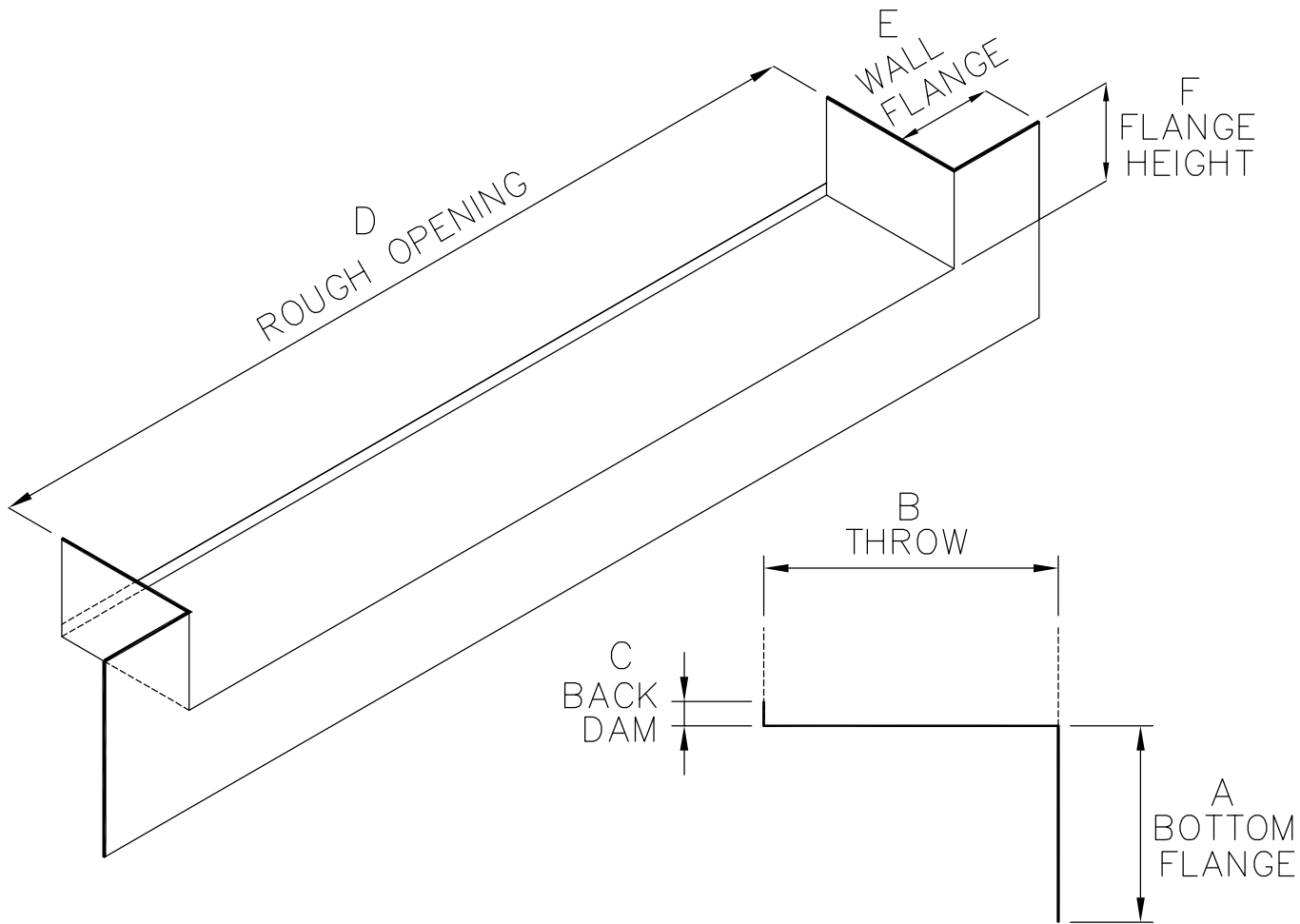
FAST FLASHINGS
www.fastflashings.com

Kirkland 425-427-8367 Seattle 206-364-3612

TYPE		
DRAWN BY	DATE	SCALE FACTOR
DRAWING #		
PAN-001.1-BF		

UNIT	A BOTTOM FLANGE	B THROW	C BACK DAM	D ROUGH OPENING	E WALL FLANGE	F FLANGE HEIGHT

CUSTOMER		
JOB		
ADDRESS		
CONTACT	PHONE	
COLOR		
STAINLESS #2 <input type="checkbox"/>	STAINLESS #4 <input type="checkbox"/>	
GALVANIZED <input type="checkbox"/>	PRE-PRIMED <input type="checkbox"/>	
COPPER 16 OZ. <input type="checkbox"/>	COPPER 20 OZ. <input type="checkbox"/>	
GAUGE 22 <input type="checkbox"/>	24 <input type="checkbox"/>	26 <input type="checkbox"/>
QUANTITY		



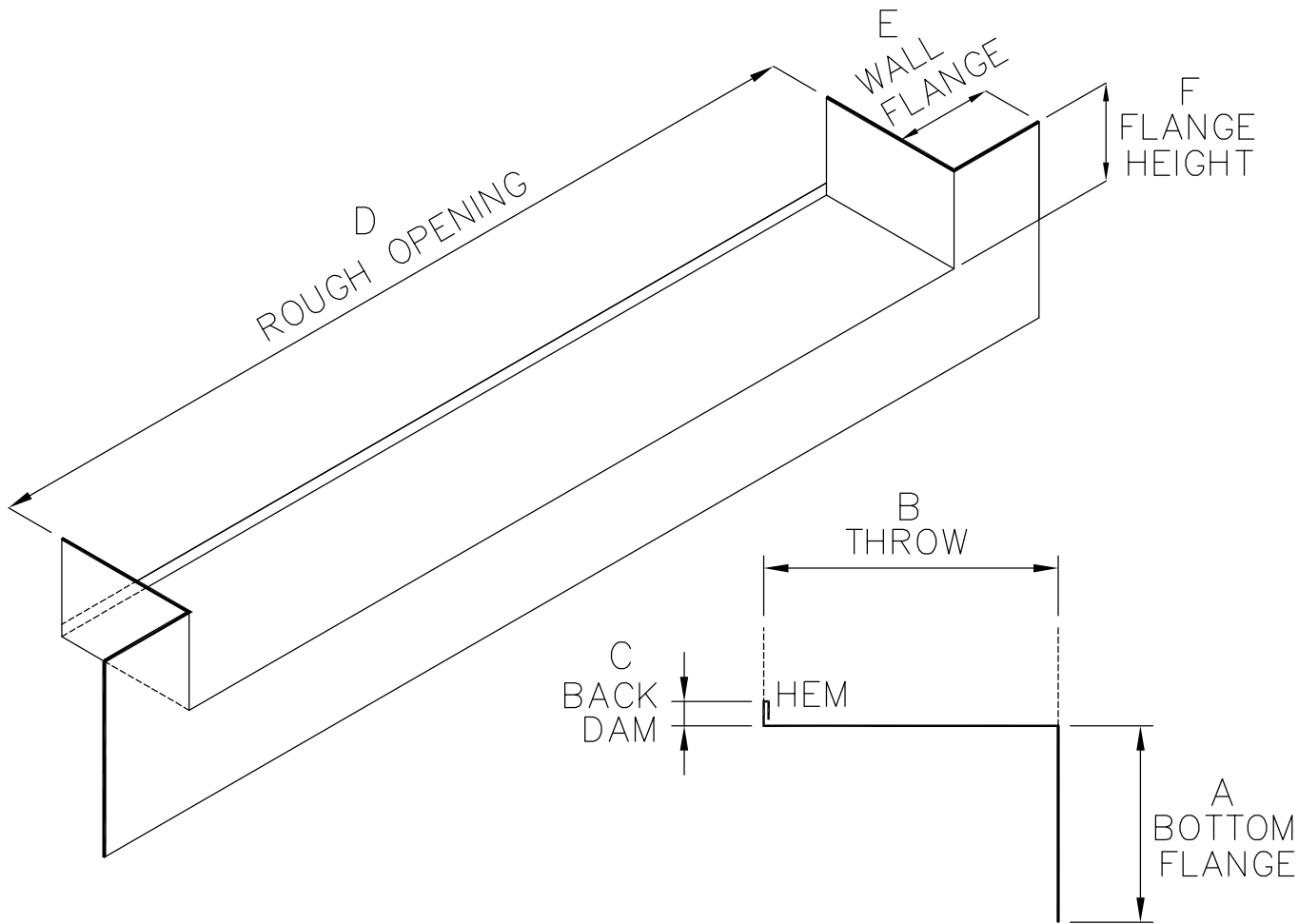
FAST FLASHINGS
www.fastflashings.com

Kirkland 425-427-8367 Seattle 206-364-3612

TYPE		
DRAWN BY	DATE	SCALE FACTOR
DRAWING #		
PAN-002		

UNIT	A BOTTOM FLANGE	B THROW	C BACK DAM	D ROUGH OPENING	E WALL FLANGE	F FLANGE HEIGHT

CUSTOMER		
JOB		
ADDRESS		
CONTACT	PHONE	
COLOR		
STAINLESS #2 <input type="checkbox"/>	STAINLESS #4 <input type="checkbox"/>	
GALVANIZED <input type="checkbox"/>	PRE-PRIMED <input type="checkbox"/>	
COPPER 16 OZ. <input type="checkbox"/>	COPPER 20 OZ. <input type="checkbox"/>	
GAUGE 22 <input type="checkbox"/>	24 <input type="checkbox"/>	26 <input type="checkbox"/>
QUANTITY		



FAST FLASHINGS
www.fastflashings.com

Kirkland 425-427-8367 Seattle 206-364-3612

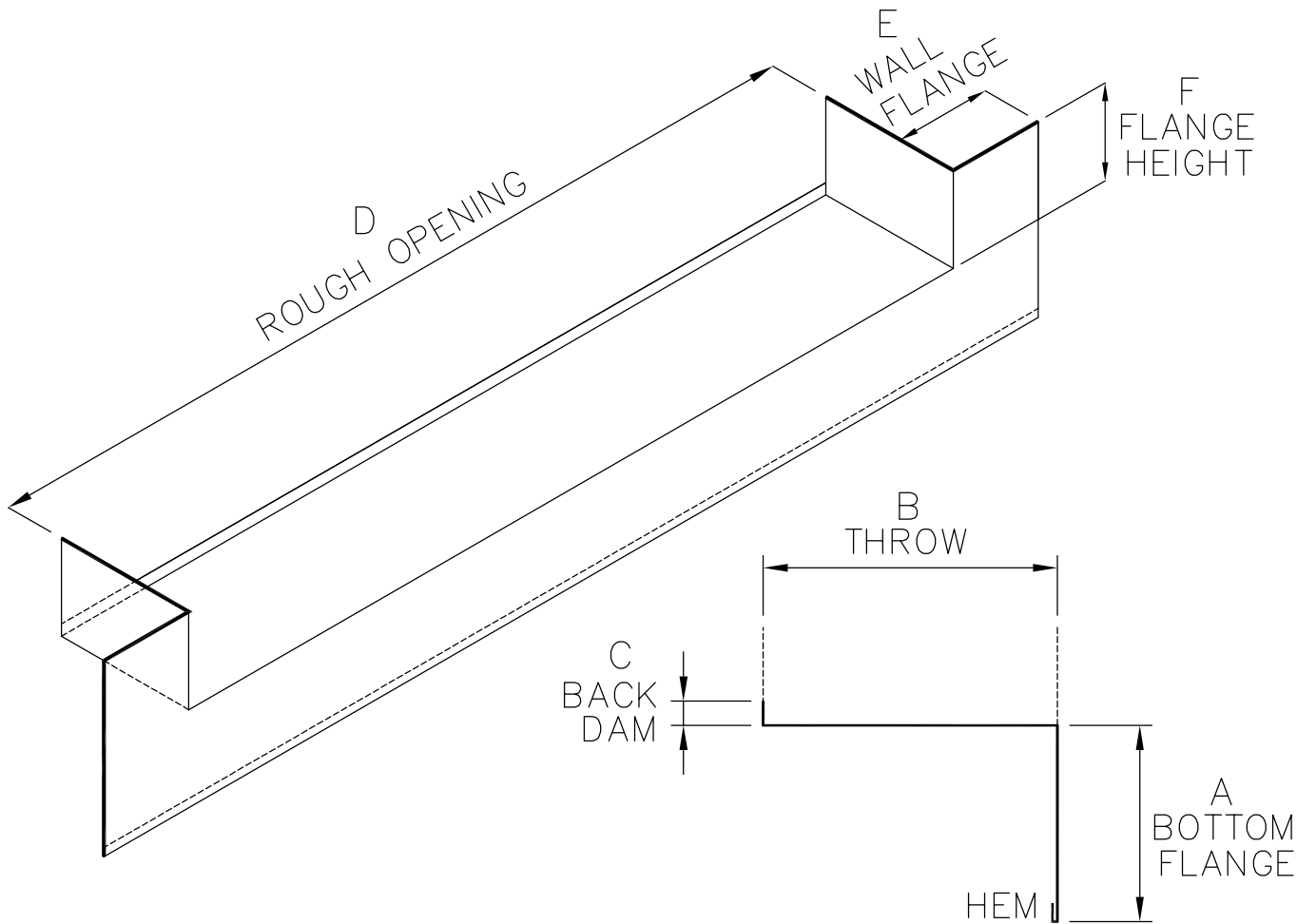
TYPE

DRAWN BY	DATE	SCALE FACTOR
----------	------	--------------

DRAWING #
PAN-002-B

UNIT	A BOTTOM FLANGE	B THROW	C BACK DAM	D ROUGH OPENING	E WALL FLANGE	F FLANGE HEIGHT

CUSTOMER		
JOB		
ADDRESS		
CONTACT	PHONE	
COLOR		
STAINLESS #2 <input type="checkbox"/>	STAINLESS #4 <input type="checkbox"/>	
GALVANIZED <input type="checkbox"/>	PRE-PRIMED <input type="checkbox"/>	
COPPER 16 OZ. <input type="checkbox"/>	COPPER 20 OZ. <input type="checkbox"/>	
GAUGE 22 <input type="checkbox"/>	24 <input type="checkbox"/>	26 <input type="checkbox"/>
QUANTITY		



FAST FLASHINGS
www.fastflashings.com

Kirkland 425-427-8367 Seattle 206-364-3612

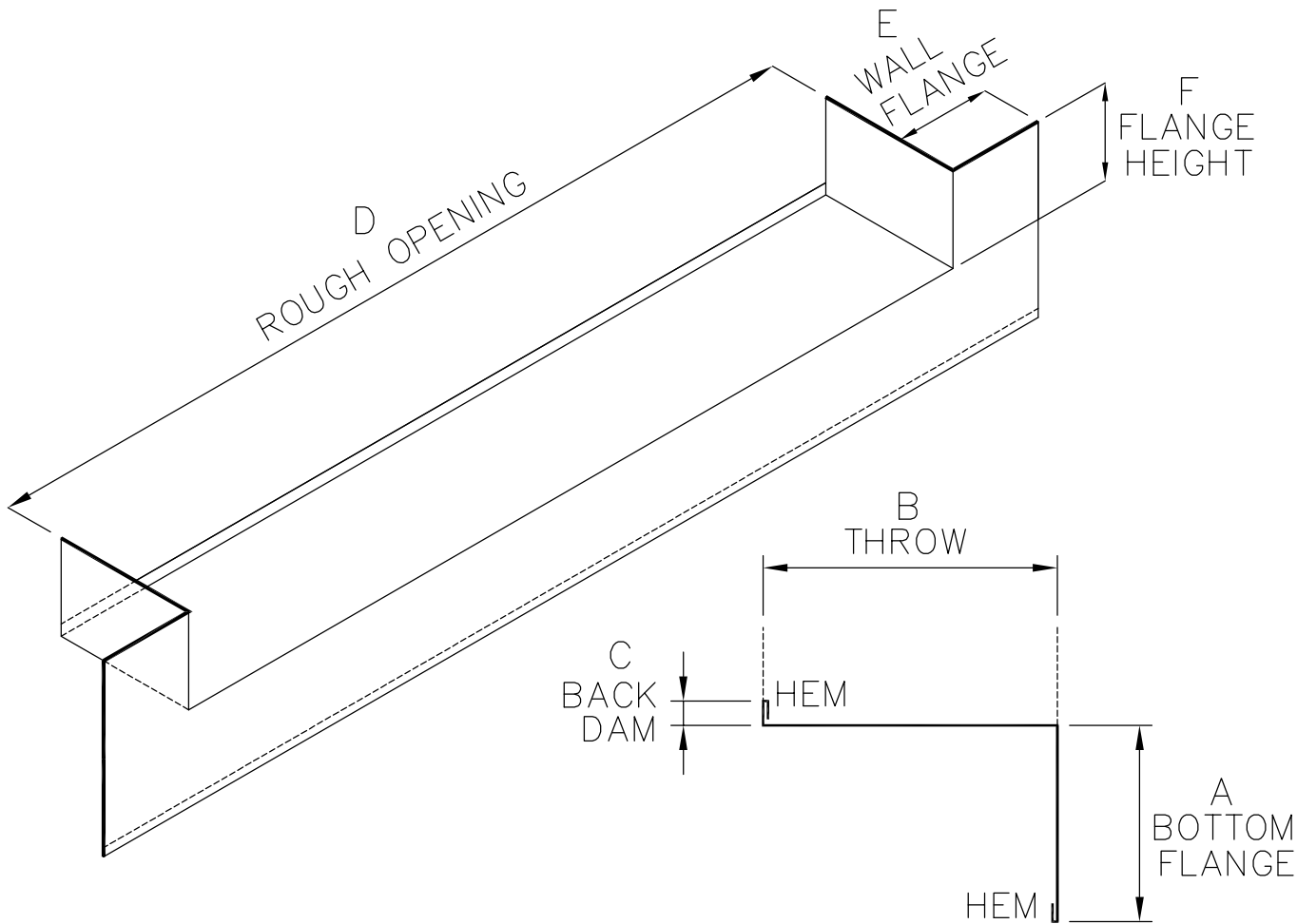
TYPE

DRAWN BY	DATE	SCALE FACTOR
----------	------	--------------

DRAWING #
PAN-002-F

UNIT	A BOTTOM FLANGE	B THROW	C BACK DAM	D ROUGH OPENING	E WALL FLANGE	F FLANGE HEIGHT

CUSTOMER		
JOB		
ADDRESS		
CONTACT	PHONE	
COLOR		
STAINLESS #2 <input type="checkbox"/>	STAINLESS #4 <input type="checkbox"/>	
GALVANIZED <input type="checkbox"/>	PRE-PRIMED <input type="checkbox"/>	
COPPER 16 OZ. <input type="checkbox"/>	COPPER 20 OZ. <input type="checkbox"/>	
GAUGE 22 <input type="checkbox"/>	24 <input type="checkbox"/>	26 <input type="checkbox"/>
QUANTITY		



FAST FLASHINGS
www.fastflashings.com

Kirkland 425-427-8367 Seattle 206-364-3612

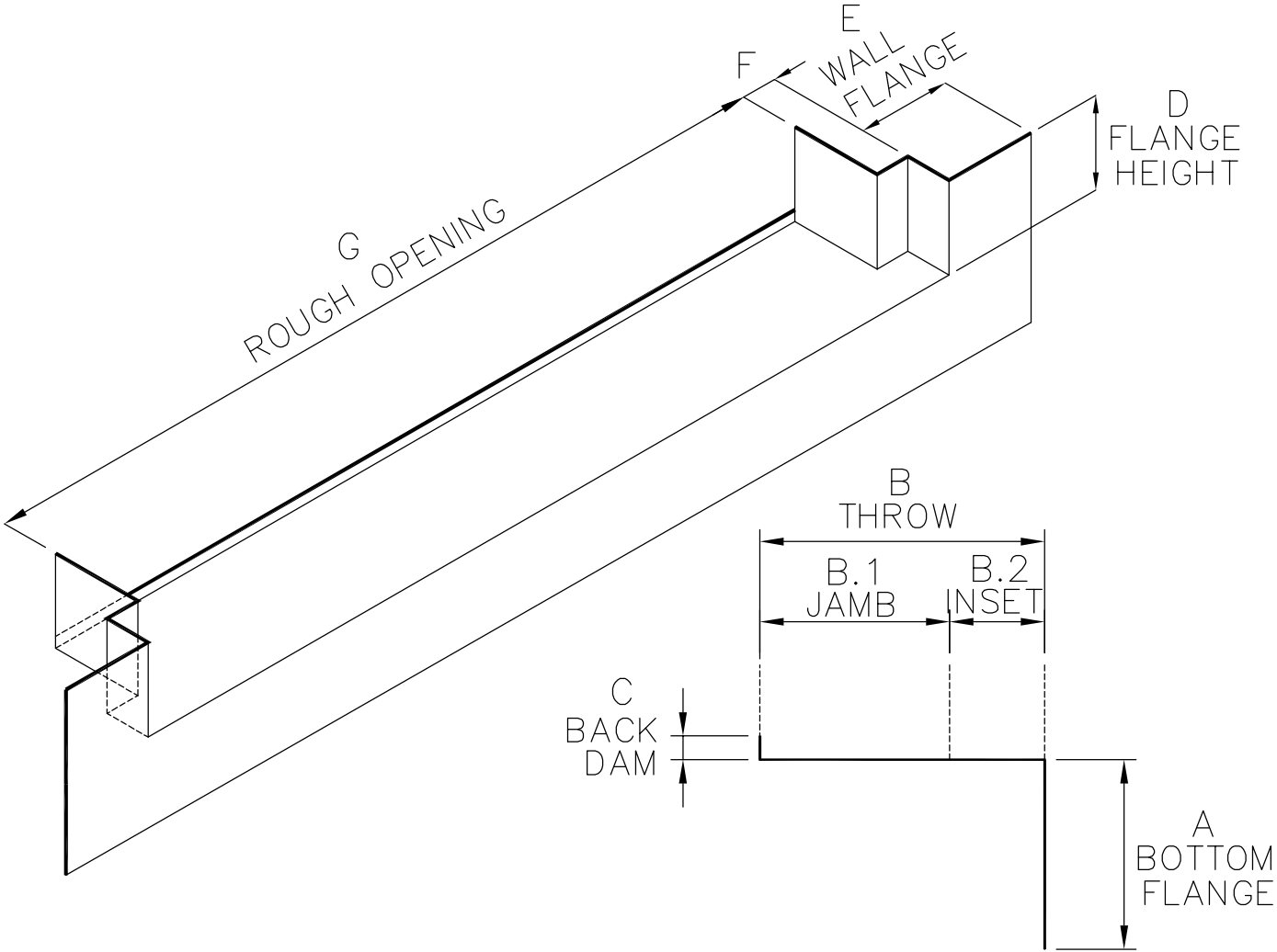
TYPE

DRAWN BY	DATE	SCALE FACTOR
----------	------	--------------

DRAWING #
PAN-002-BF

UNIT	A BOTTOM FLANGE	B.1 JAMB	B.2 INSET	B THROW	C BACK DAM	D FLANGE HEIGHT	E WALL FLANGE	F JAMB DEPTH	G ROUGH OPENING

CUSTOMER		
JOB		
ADDRESS		
CONTACT	PHONE	
COLOR		
STAINLESS #2 <input type="checkbox"/>	STAINLESS #4 <input type="checkbox"/>	
GALVANIZED <input type="checkbox"/>	PRE-PRIMED <input type="checkbox"/>	
COPPER 16 OZ. <input type="checkbox"/>	COPPER 20 OZ. <input type="checkbox"/>	
GAUGE 22 <input type="checkbox"/>	24 <input type="checkbox"/>	26 <input type="checkbox"/>
QUANTITY		



FAST FLASHINGS
www.fastflashings.com

Kirkland 425-427-8367 Seattle 206-364-3612

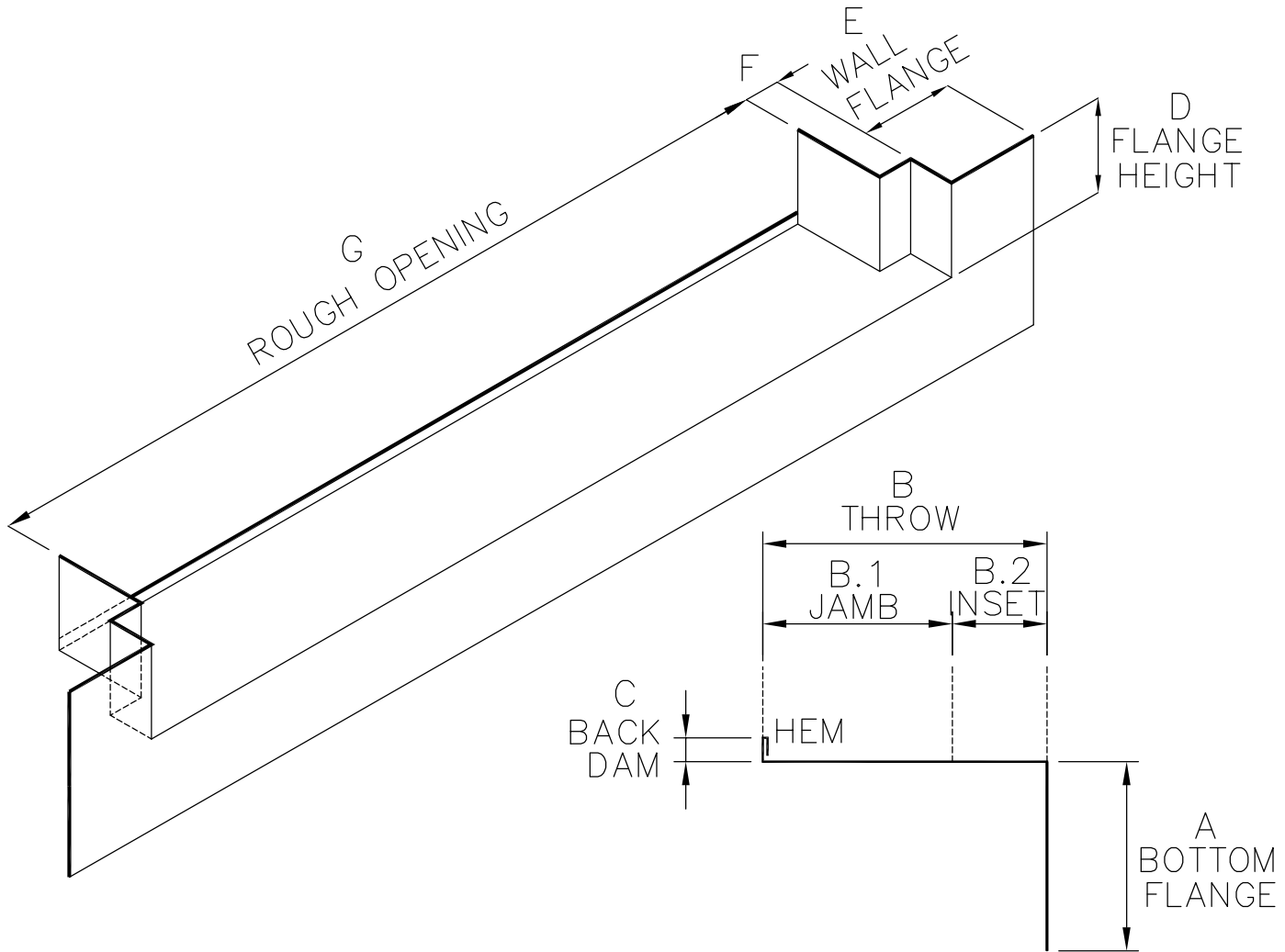
TYPE

DRAWN BY	DATE	SCALE FACTOR
----------	------	--------------

DRAWING #
PAN-002.1

UNIT	A BOTTOM FLANGE	B.1 JAMB	B.2 INSET	B THROW	C BACK DAM	D FLANGE HEIGHT	E WALL FLANGE	F JAMB DEPTH	G ROUGH OPENING

CUSTOMER		
JOB		
ADDRESS		
CONTACT	PHONE	
COLOR		
STAINLESS #2 <input type="checkbox"/>	STAINLESS #4 <input type="checkbox"/>	
GALVANIZED <input type="checkbox"/>	PRE-PRIMED <input type="checkbox"/>	
COPPER 16 OZ. <input type="checkbox"/>	COPPER 20 OZ. <input type="checkbox"/>	
GAUGE 22 <input type="checkbox"/>	24 <input type="checkbox"/>	26 <input type="checkbox"/>
QUANTITY		



FAST FLASHINGS
www.fastflashings.com

Kirkland 425-427-8367 Seattle 206-364-3612

TYPE

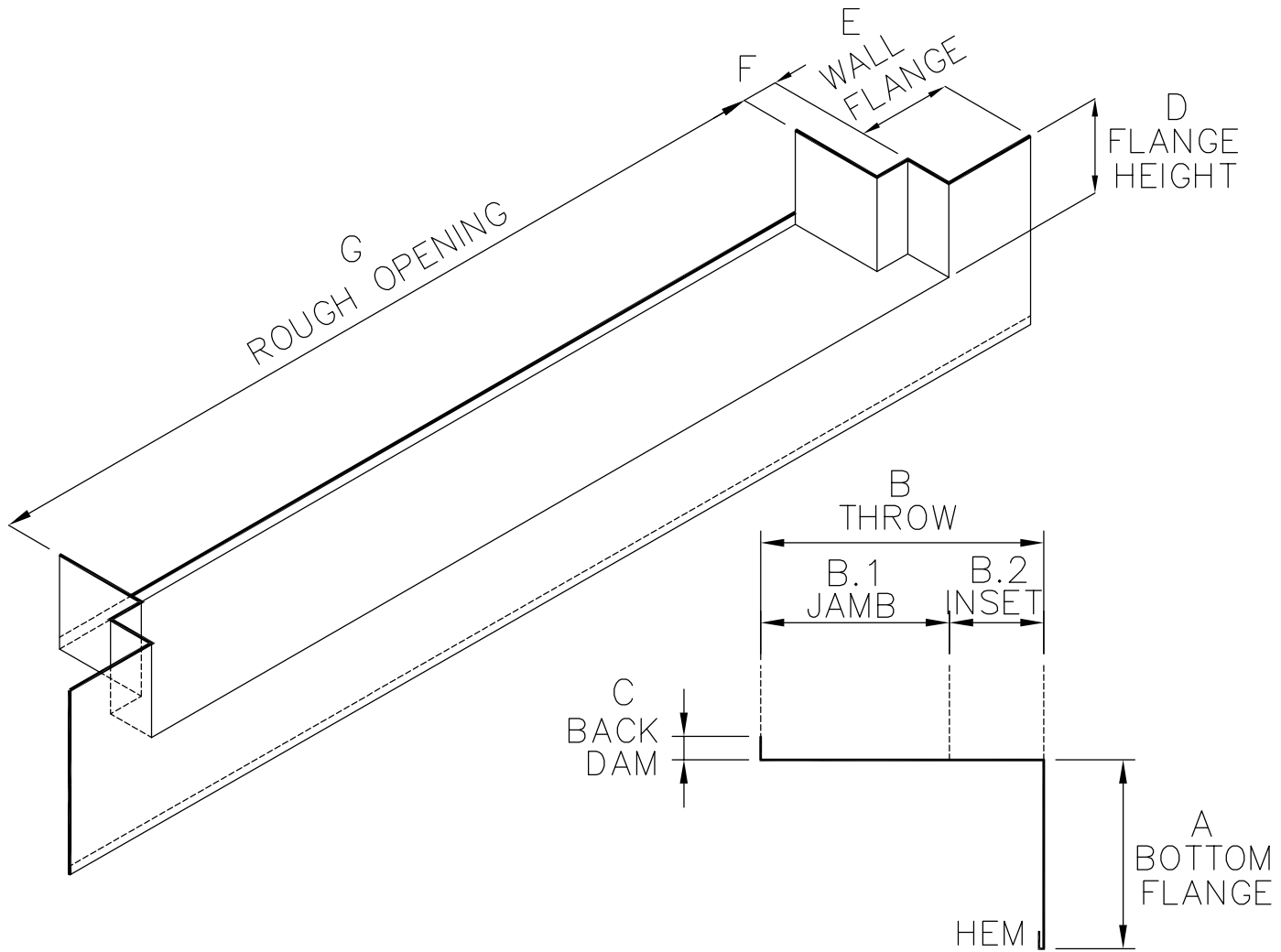
DRAWN BY	DATE	SCALE FACTOR
----------	------	--------------

DRAWING #

PAN-002.1-B

UNIT	A BOTTOM FLANGE	B.1 JAMB	B.2 INSET	B THROW	C BACK DAM	D FLANGE HEIGHT	E WALL FLANGE	F JAMB DEPTH	G ROUGH OPENING

CUSTOMER		
JOB		
ADDRESS		
CONTACT	PHONE	
COLOR		
STAINLESS #2 <input type="checkbox"/>	STAINLESS #4 <input type="checkbox"/>	
GALVANIZED <input type="checkbox"/>	PRE-PRIMED <input type="checkbox"/>	
COPPER 16 OZ. <input type="checkbox"/>	COPPER 20 OZ. <input type="checkbox"/>	
GAUGE 22 <input type="checkbox"/>	24 <input type="checkbox"/>	26 <input type="checkbox"/>
QUANTITY		



FAST FLASHINGS
www.fastflashings.com

Kirkland 425-427-8367 Seattle 206-364-3612

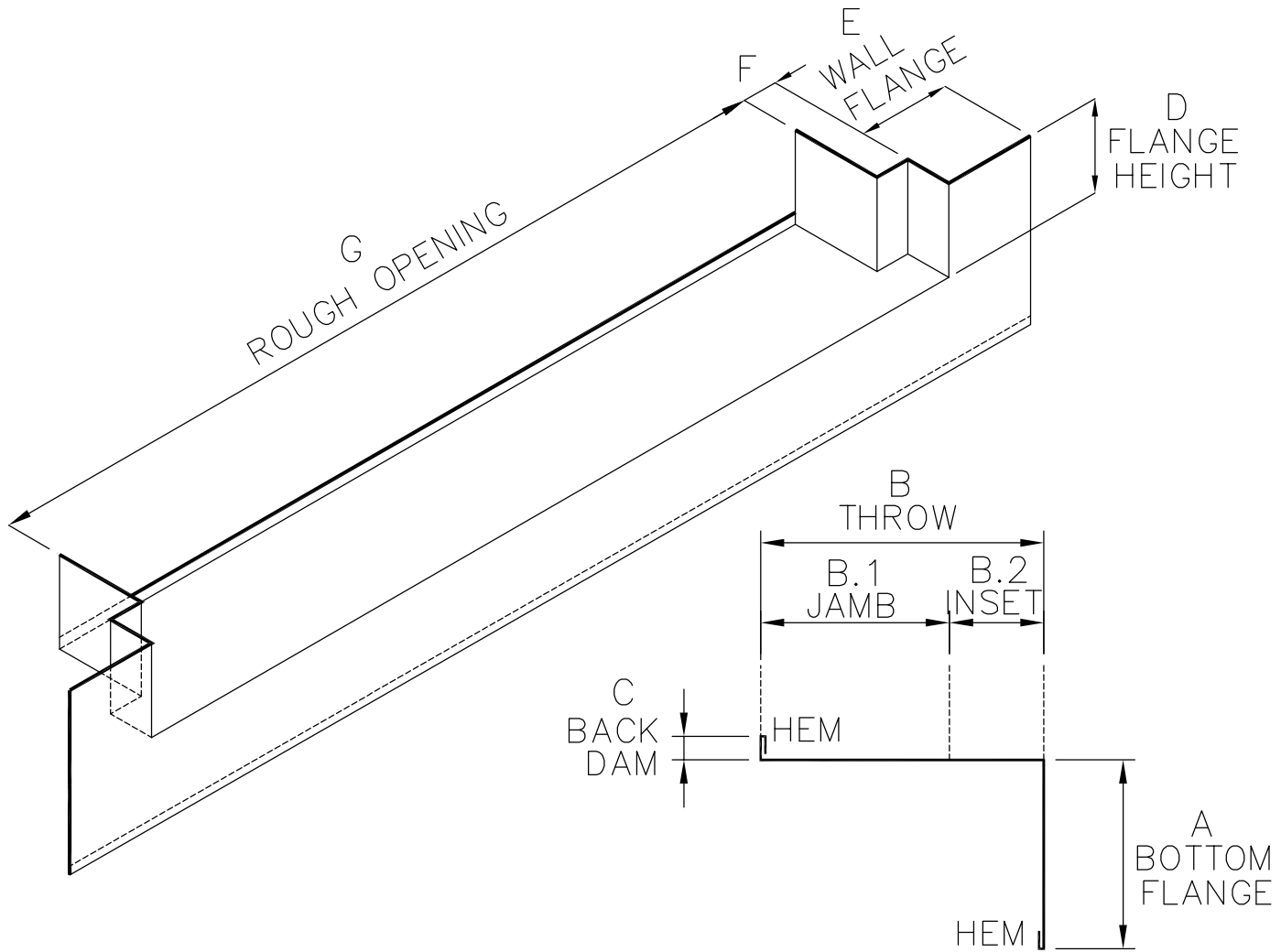
TYPE

DRAWN BY	DATE	SCALE FACTOR
----------	------	--------------

DRAWING #
PAN-002.1-F

UNIT	A BOTTOM FLANGE	B.1 JAMB	B.2 INSET	B THROW	C BACK DAM	D FLANGE HEIGHT	E WALL FLANGE	F JAMB DEPTH	G ROUGH OPENING

CUSTOMER		
JOB		
ADDRESS		
CONTACT	PHONE	
COLOR		
STAINLESS #2 <input type="checkbox"/>	STAINLESS #4 <input type="checkbox"/>	
GALVANIZED <input type="checkbox"/>	PRE-PRIMED <input type="checkbox"/>	
COPPER 16 OZ. <input type="checkbox"/>	COPPER 20 OZ. <input type="checkbox"/>	
GAUGE 22 <input type="checkbox"/>	24 <input type="checkbox"/>	26 <input type="checkbox"/>
QUANTITY		



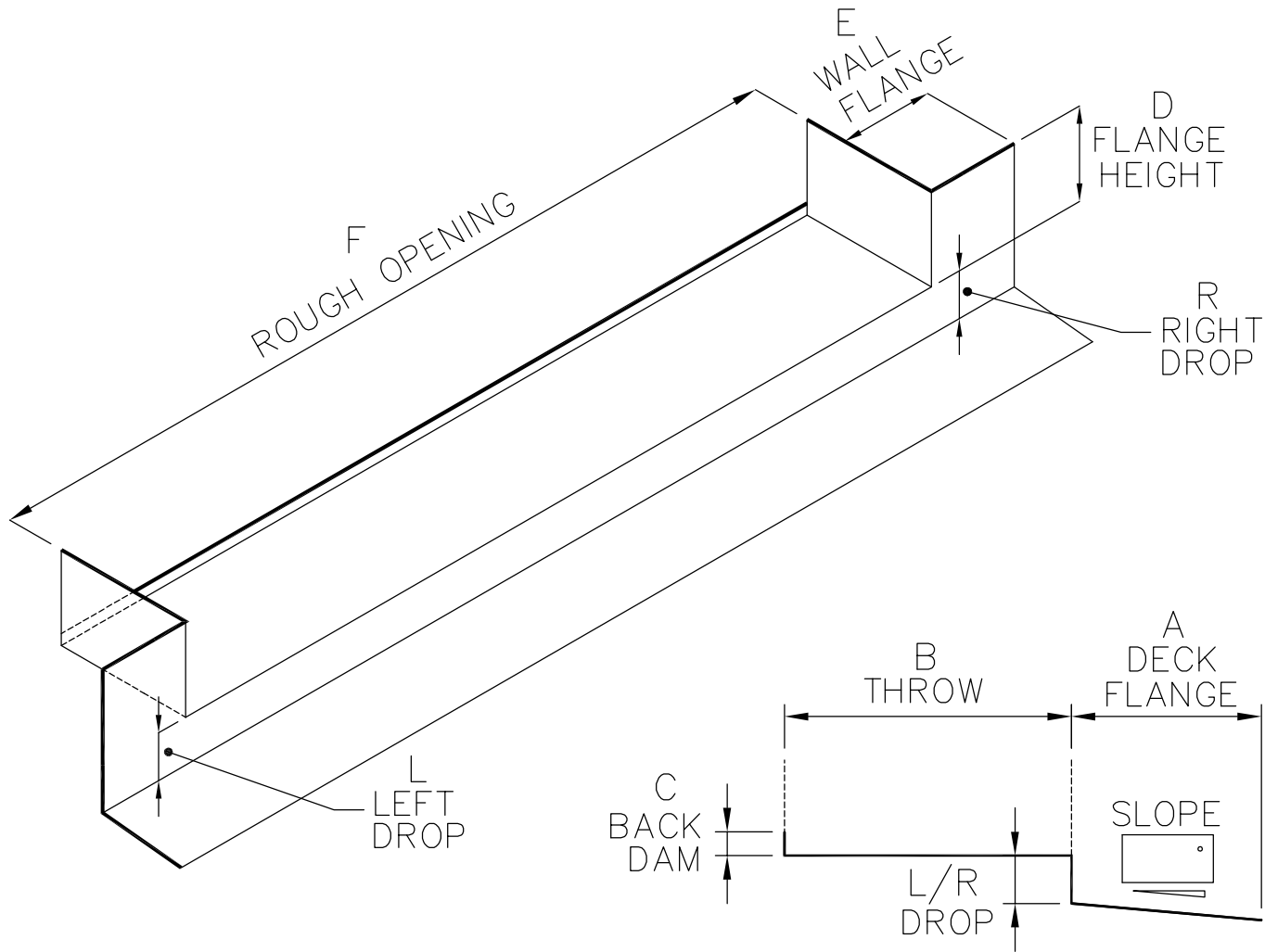
FAST FLASHINGS
www.fastflashings.com

Kirkland 425-427-8367 Seattle 206-364-3612

TYPE		
DRAWN BY	DATE	SCALE FACTOR
DRAWING #		
PAN-002.1-BF		

UNIT	A DECK FLANGE	B THROW	C BACK DAM	D FLANGE HEIGHT	E WALL FLANGE	G ROUGH OPENING	L LEFT DROP	R RIGHT DROP

CUSTOMER		
JOB		
ADDRESS		
CONTACT	PHONE	
COLOR		
STAINLESS #2 <input type="checkbox"/>	STAINLESS #4 <input type="checkbox"/>	
GALVANIZED <input type="checkbox"/>	PRE-PRIMED <input type="checkbox"/>	
COPPER 16 OZ. <input type="checkbox"/>	COPPER 20 OZ. <input type="checkbox"/>	
GAUGE 22 <input type="checkbox"/>	24 <input type="checkbox"/>	26 <input type="checkbox"/>
QUANTITY		



FAST FLASHINGS
www.fastflashings.com

Kirkland 425-427-8367 Seattle 206-364-3612

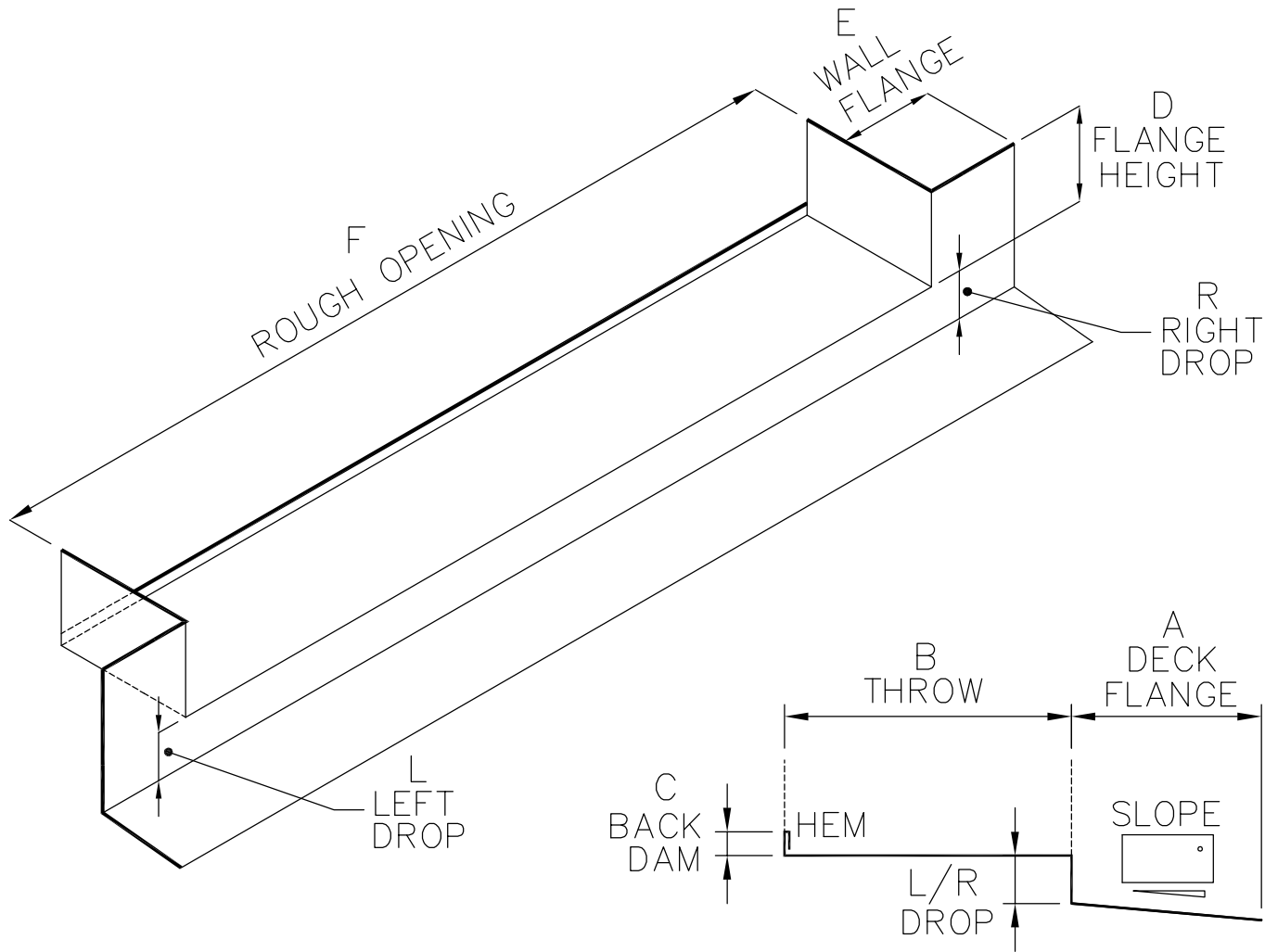
TYPE

DRAWN BY	DATE	SCALE FACTOR
----------	------	--------------

DRAWING #
PAN-003

UNIT	A DECK FLANGE	B THROW	C BACK DAM	D FLANGE HEIGHT	E WALL FLANGE	G ROUGH OPENING	L LEFT DROP	R RIGHT DROP

CUSTOMER		
JOB		
ADDRESS		
CONTACT	PHONE	
COLOR		
STAINLESS #2 <input type="checkbox"/>	STAINLESS #4 <input type="checkbox"/>	
GALVANIZED <input type="checkbox"/>	PRE-PRIMED <input type="checkbox"/>	
COPPER 16 OZ. <input type="checkbox"/>	COPPER 20 OZ. <input type="checkbox"/>	
GAUGE 22 <input type="checkbox"/>	24 <input type="checkbox"/>	26 <input type="checkbox"/>
QUANTITY		



FAST FLASHINGS
www.fastflashings.com

Kirkland 425-427-8367 Seattle 206-364-3612

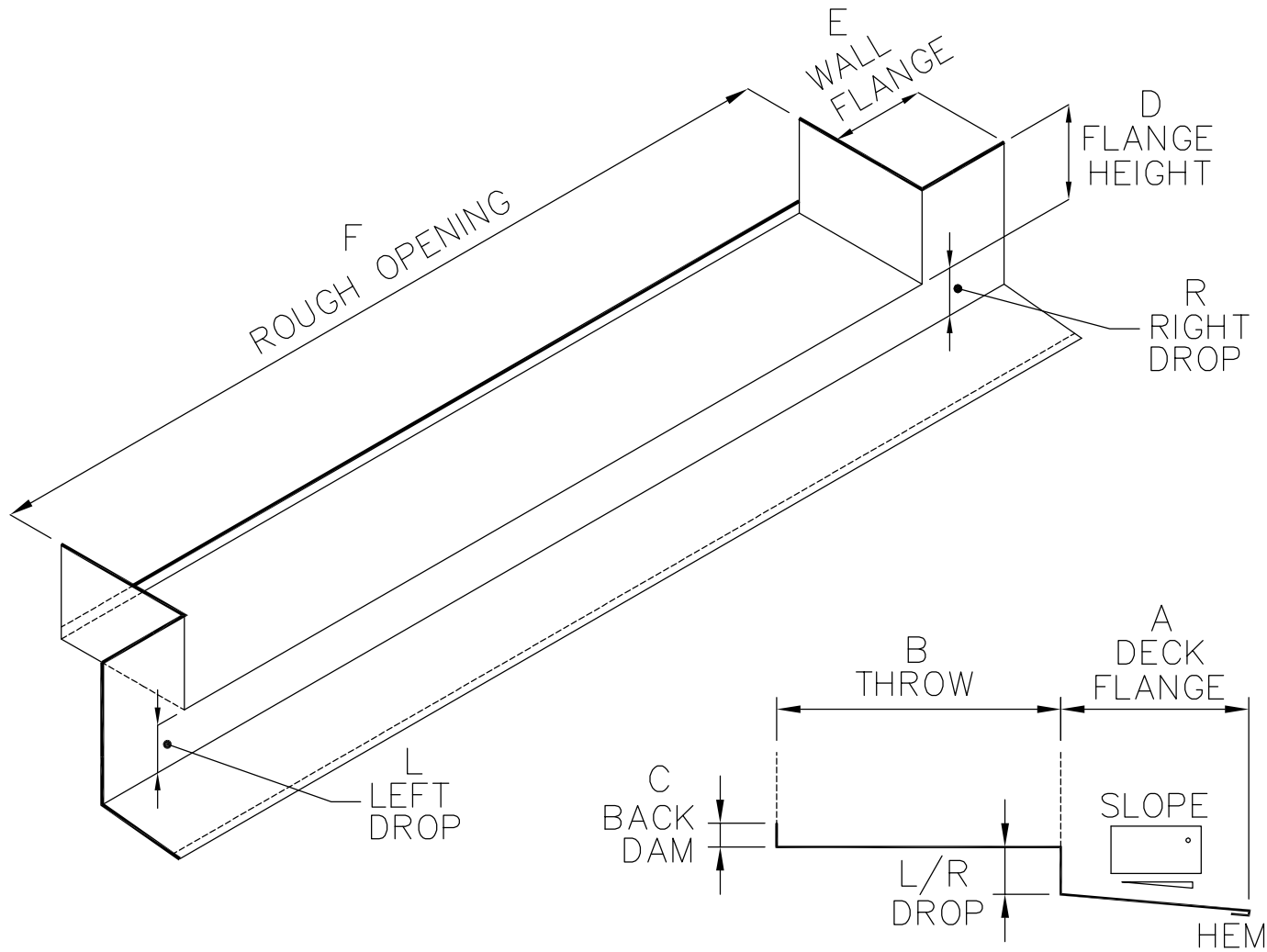
TYPE

DRAWN BY	DATE	SCALE FACTOR
----------	------	--------------

DRAWING #
PAN-003-B

UNIT	A DECK FLANGE	B THROW	C BACK DAM	D FLANGE HEIGHT	E WALL FLANGE	G ROUGH OPENING	L LEFT DROP	R RIGHT DROP

CUSTOMER		
JOB		
ADDRESS		
CONTACT	PHONE	
COLOR		
STAINLESS #2 <input type="checkbox"/>	STAINLESS #4 <input type="checkbox"/>	
GALVANIZED <input type="checkbox"/>	PRE-PRIMED <input type="checkbox"/>	
COPPER 16 OZ. <input type="checkbox"/>	COPPER 20 OZ. <input type="checkbox"/>	
GAUGE 22 <input type="checkbox"/>	24 <input type="checkbox"/>	26 <input type="checkbox"/>
QUANTITY		



FAST FLASHINGS
www.fastflashings.com

Kirkland 425-427-8367 Seattle 206-364-3612

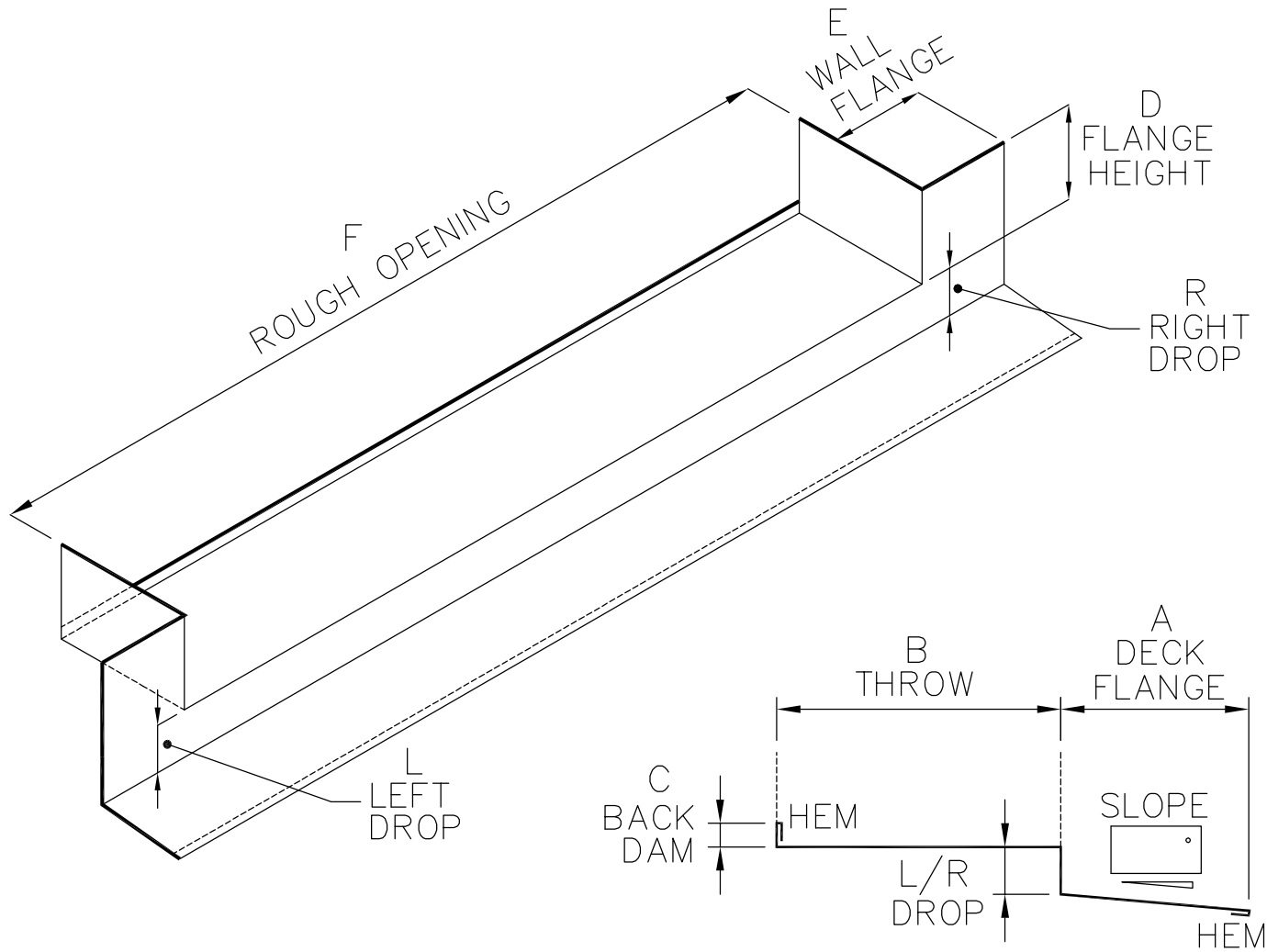
TYPE

DRAWN BY	DATE	SCALE FACTOR
----------	------	--------------

DRAWING #
PAN-003-F

UNIT	A DECK FLANGE	B THROW	C BACK DAM	D FLANGE HEIGHT	E WALL FLANGE	G ROUGH OPENING	L LEFT DROP	R RIGHT DROP

CUSTOMER		
JOB		
ADDRESS		
CONTACT	PHONE	
COLOR		
STAINLESS #2 <input type="checkbox"/>	STAINLESS #4 <input type="checkbox"/>	
GALVANIZED <input type="checkbox"/>	PRE-PRIMED <input type="checkbox"/>	
COPPER 16 OZ. <input type="checkbox"/>	COPPER 20 OZ. <input type="checkbox"/>	
GAUGE 22 <input type="checkbox"/>	24 <input type="checkbox"/>	26 <input type="checkbox"/>
QUANTITY		



FAST FLASHINGS
www.fastflashings.com

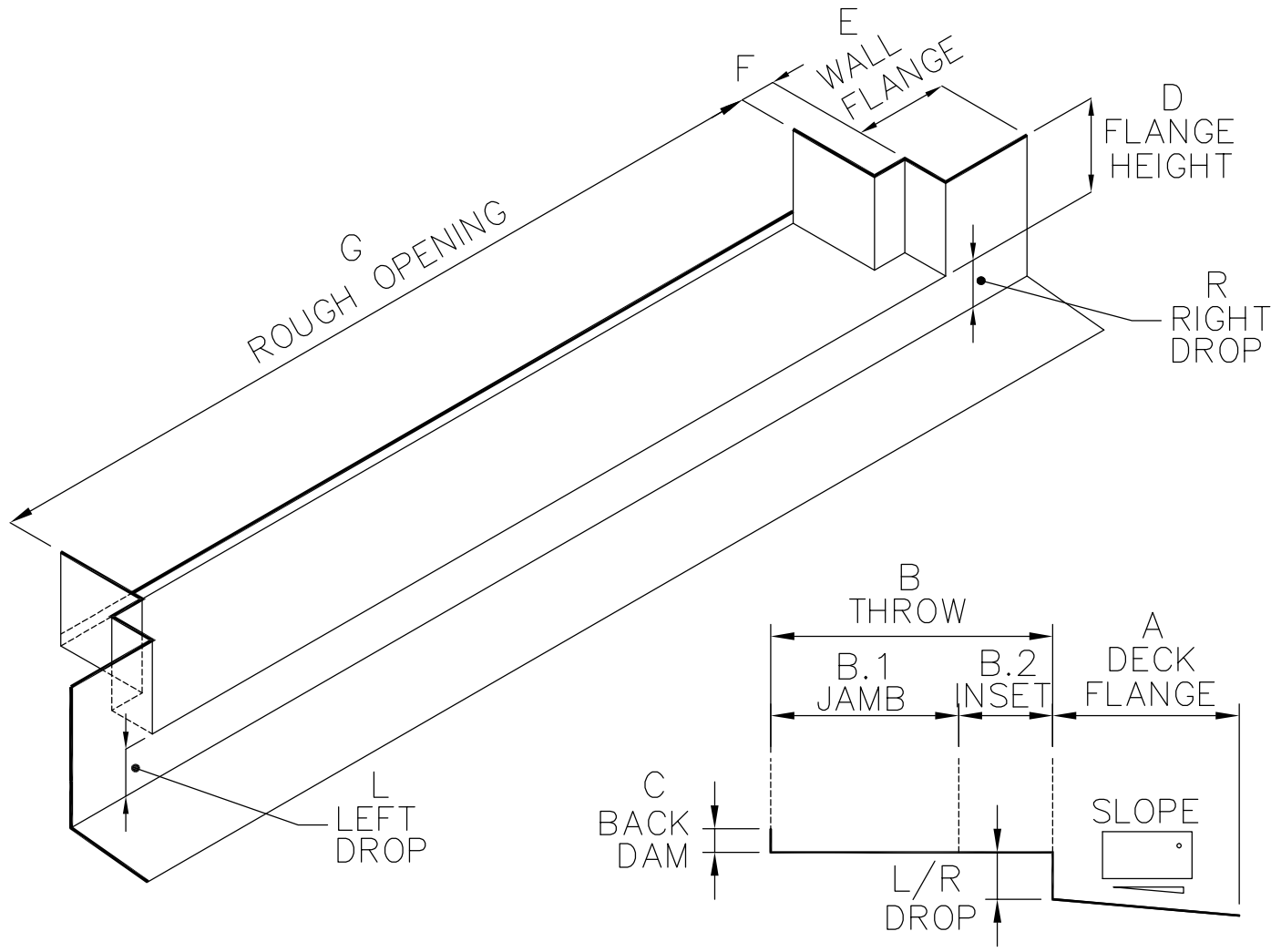
Kirkland 425-427-8367 Seattle 206-364-3612

TYPE

DRAWN BY	DATE	SCALE FACTOR
----------	------	--------------

DRAWING #
PAN-003-BF

UNIT	A DECK FLANGE	B.1 JAMB	B.2 INSET	B THROW	C BACK DAM	D FLANGE HEIGHT	E WALL FLANGE	F JAMB DEPTH	G ROUGH OPENING	L LEFT DROP	R RIGHT DROP



CUSTOMER		
JOB		
ADDRESS		
CONTACT	PHONE	
COLOR		
STAINLESS #2 <input type="checkbox"/>	STAINLESS #4 <input type="checkbox"/>	
GALVANIZED <input type="checkbox"/>	PRE-PRIMED <input type="checkbox"/>	
COPPER 16 OZ. <input type="checkbox"/>	COPPER 20 OZ. <input type="checkbox"/>	
GAUGE 22 <input type="checkbox"/>	24 <input type="checkbox"/>	26 <input type="checkbox"/>
QUANTITY		

FAST FLASHINGS
www.fastflashings.com

Kirkland 425-427-8367 Seattle 206-364-3612

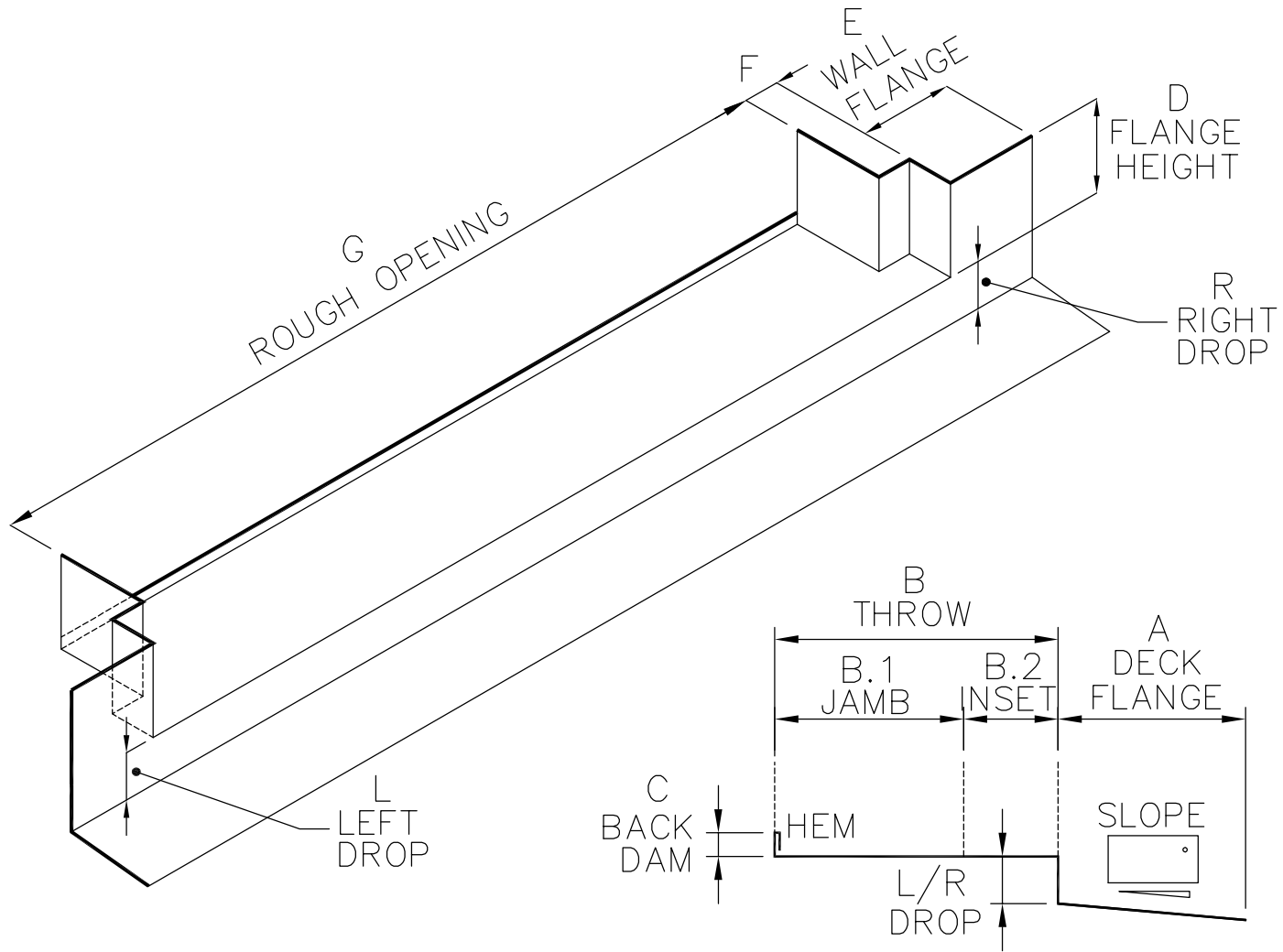
TYPE

DRAWN BY	DATE	SCALE FACTOR
----------	------	--------------

DRAWING #
PAN-003.1

UNIT	A DECK FLANGE	B.1 JAMB	B.2 INSET	B THROW	C BACK DAM	D FLANGE HEIGHT	E WALL FLANGE	F JAMB DEPTH	G ROUGH OPENING	L LEFT DROP	R RIGHT DROP

CUSTOMER		
JOB		
ADDRESS		
CONTACT	PHONE	
COLOR		
STAINLESS #2 <input type="checkbox"/>	STAINLESS #4 <input type="checkbox"/>	
GALVANIZED <input type="checkbox"/>	PRE-PRIMED <input type="checkbox"/>	
COPPER 16 OZ. <input type="checkbox"/>	COPPER 20 OZ. <input type="checkbox"/>	
GAUGE 22 <input type="checkbox"/>	24 <input type="checkbox"/>	26 <input type="checkbox"/>
QUANTITY		



FAST FLASHINGS
www.fastflashings.com

Kirkland 425-427-8367 Seattle 206-364-3612

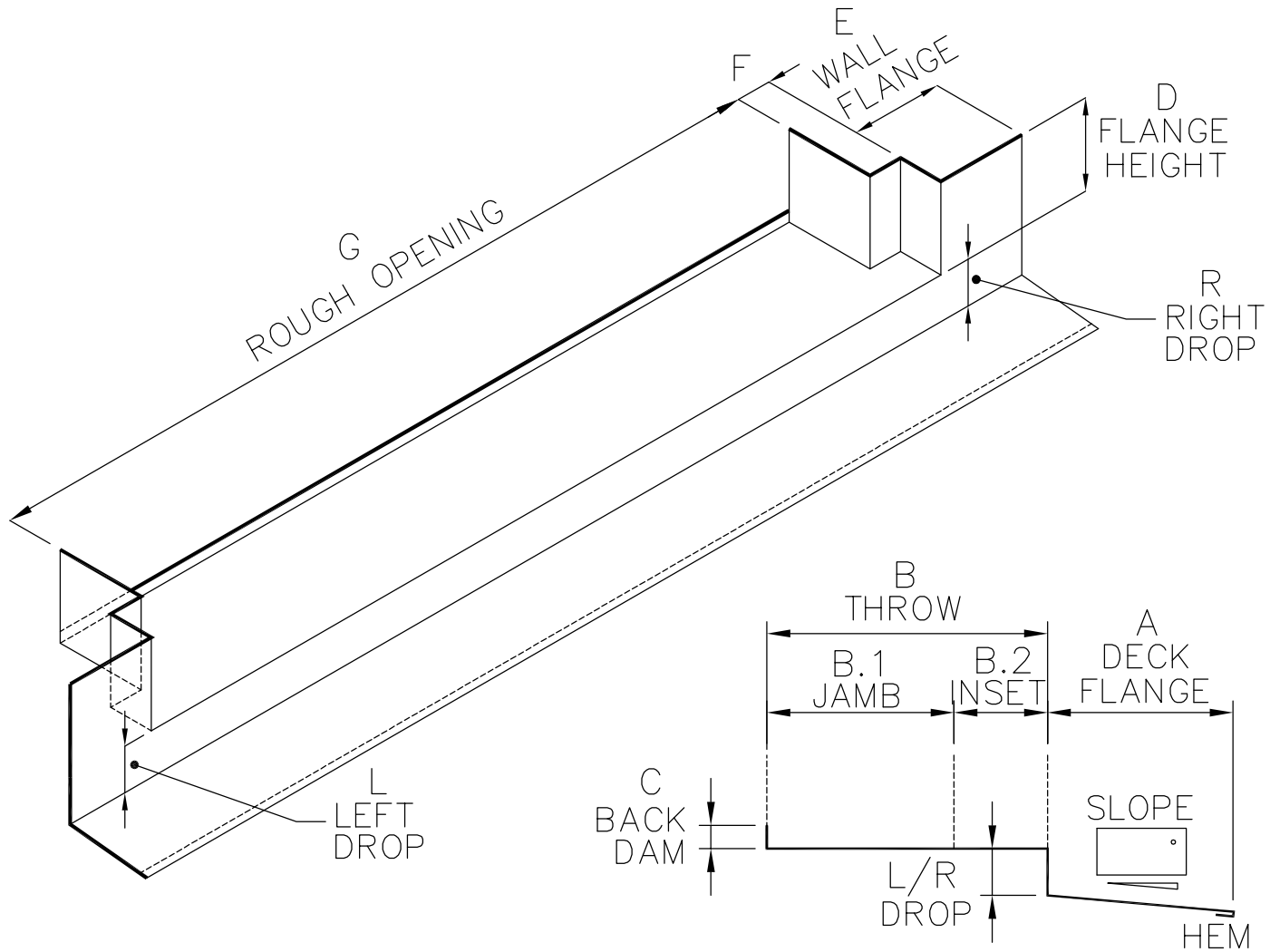
TYPE

DRAWN BY	DATE	SCALE FACTOR
----------	------	--------------

DRAWING #
PAN-003.1-B

UNIT	A DECK FLANGE	B.1 JAMB	B.2 INSET	B THROW	C BACK DAM	D FLANGE HEIGHT	E WALL FLANGE	F JAMB DEPTH	G ROUGH OPENING	L LEFT DROP	R RIGHT DROP

CUSTOMER		
JOB		
ADDRESS		
CONTACT	PHONE	
COLOR		
STAINLESS #2 <input type="checkbox"/>	STAINLESS #4 <input type="checkbox"/>	
GALVANIZED <input type="checkbox"/>	PRE-PRIMED <input type="checkbox"/>	
COPPER 16 OZ. <input type="checkbox"/>	COPPER 20 OZ. <input type="checkbox"/>	
GAUGE 22 <input type="checkbox"/>	24 <input type="checkbox"/>	26 <input type="checkbox"/>
QUANTITY		



FAST FLASHINGS
www.fastflashings.com

Kirkland 425-427-8367 Seattle 206-364-3612

TYPE

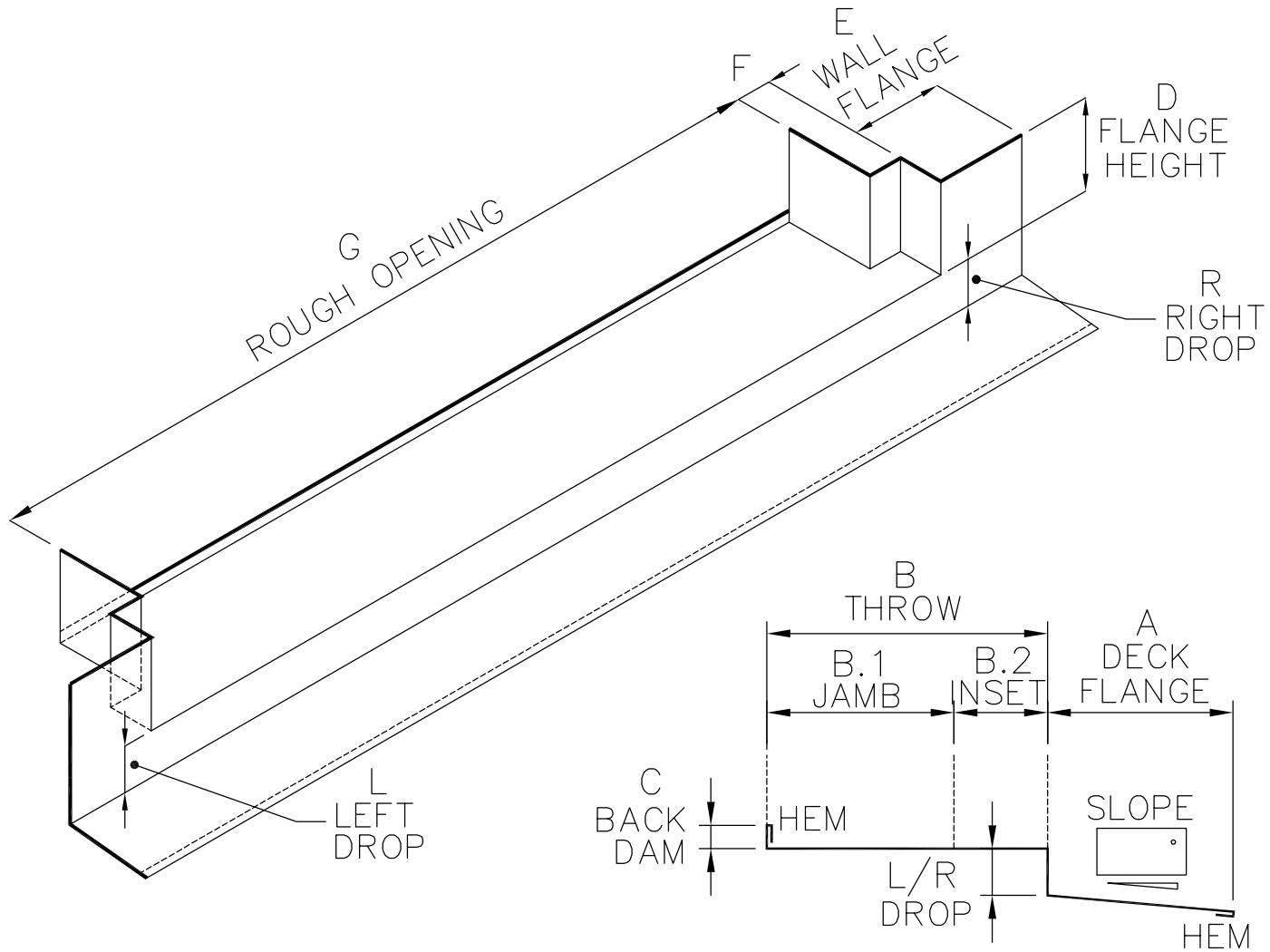
DRAWN BY	DATE	SCALE FACTOR
----------	------	--------------

DRAWING #

PAN-003.1-F

UNIT	A DECK FLANGE	B.1 JAMB	B.2 INSET	B THROW	C BACK DAM	D FLANGE HEIGHT	E WALL FLANGE	F JAMB DEPTH	G ROUGH OPENING	L LEFT DROP	R RIGHT DROP

CUSTOMER		
JOB		
ADDRESS		
CONTACT	PHONE	
COLOR		
STAINLESS #2 <input type="checkbox"/>	STAINLESS #4 <input type="checkbox"/>	
GALVANIZED <input type="checkbox"/>	PRE-PRIMED <input type="checkbox"/>	
COPPER 16 OZ. <input type="checkbox"/>	COPPER 20 OZ. <input type="checkbox"/>	
GAUGE 22 <input type="checkbox"/>	24 <input type="checkbox"/>	26 <input type="checkbox"/>
QUANTITY		



FAST FLASHINGS
www.fastflashings.com

Kirkland 425-427-8367 Seattle 206-364-3612

TYPE

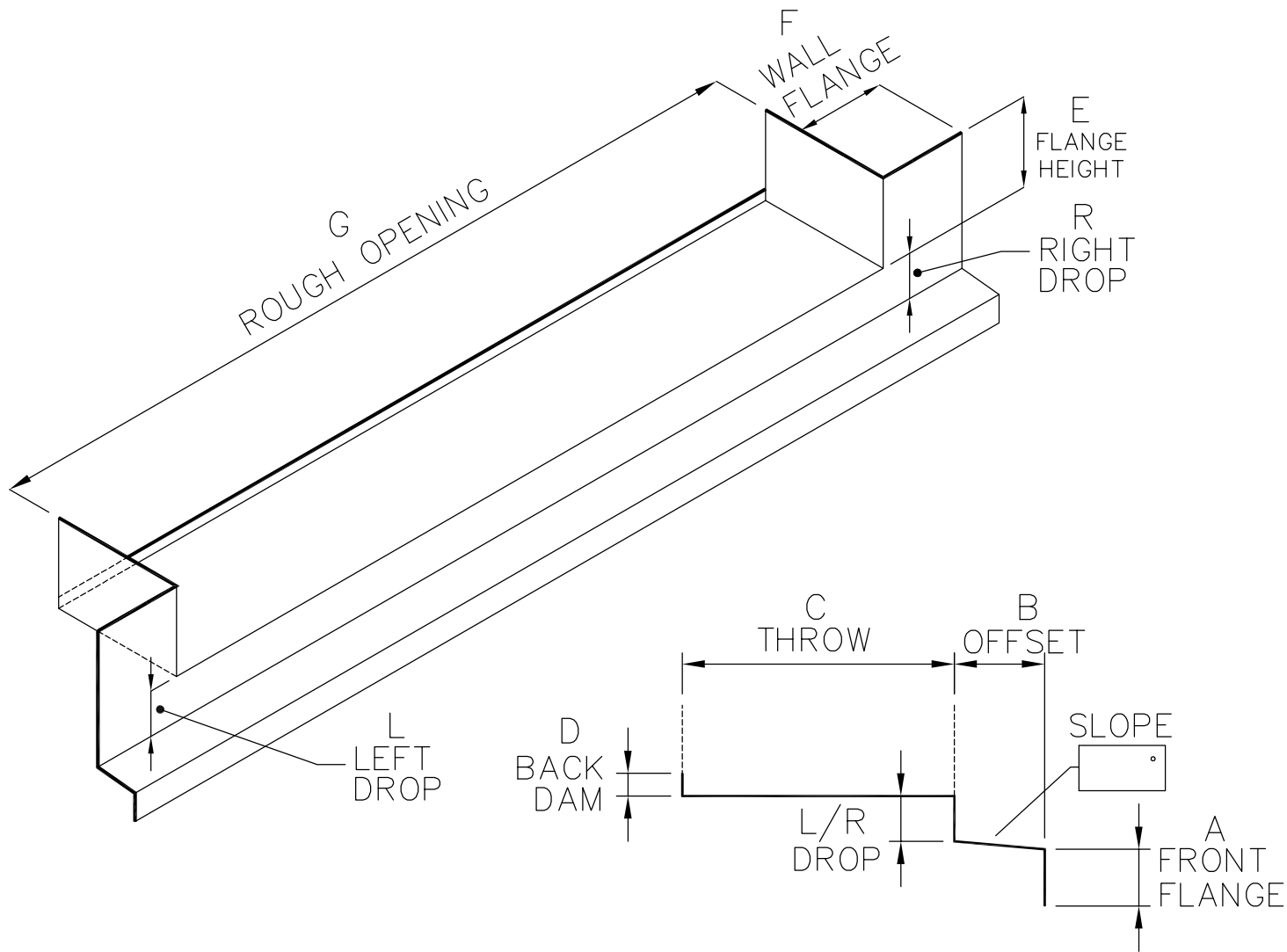
DRAWN BY	DATE	SCALE FACTOR
----------	------	--------------

DRAWING #

PAN-003.1-BF

UNIT	A FRONT FLANGE	B OFFSET	C THROW	D BACK DAM	E FLANGE HEIGHT	F WALL FLANGE	G ROUGH OPENING	L LEFT DROP	R RIGHT DROP

CUSTOMER		
JOB		
ADDRESS		
CONTACT	PHONE	
COLOR		
STAINLESS #2 <input type="checkbox"/>	STAINLESS #4 <input type="checkbox"/>	
GALVANIZED <input type="checkbox"/>	PRE-PRIMED <input type="checkbox"/>	
COPPER 16 OZ. <input type="checkbox"/>	COPPER 20 OZ. <input type="checkbox"/>	
GAUGE 22 <input type="checkbox"/>	24 <input type="checkbox"/>	26 <input type="checkbox"/>
QUANTITY		



FAST FLASHINGS
www.fastflashings.com

Kirkland 425-427-8367 Seattle 206-364-3612

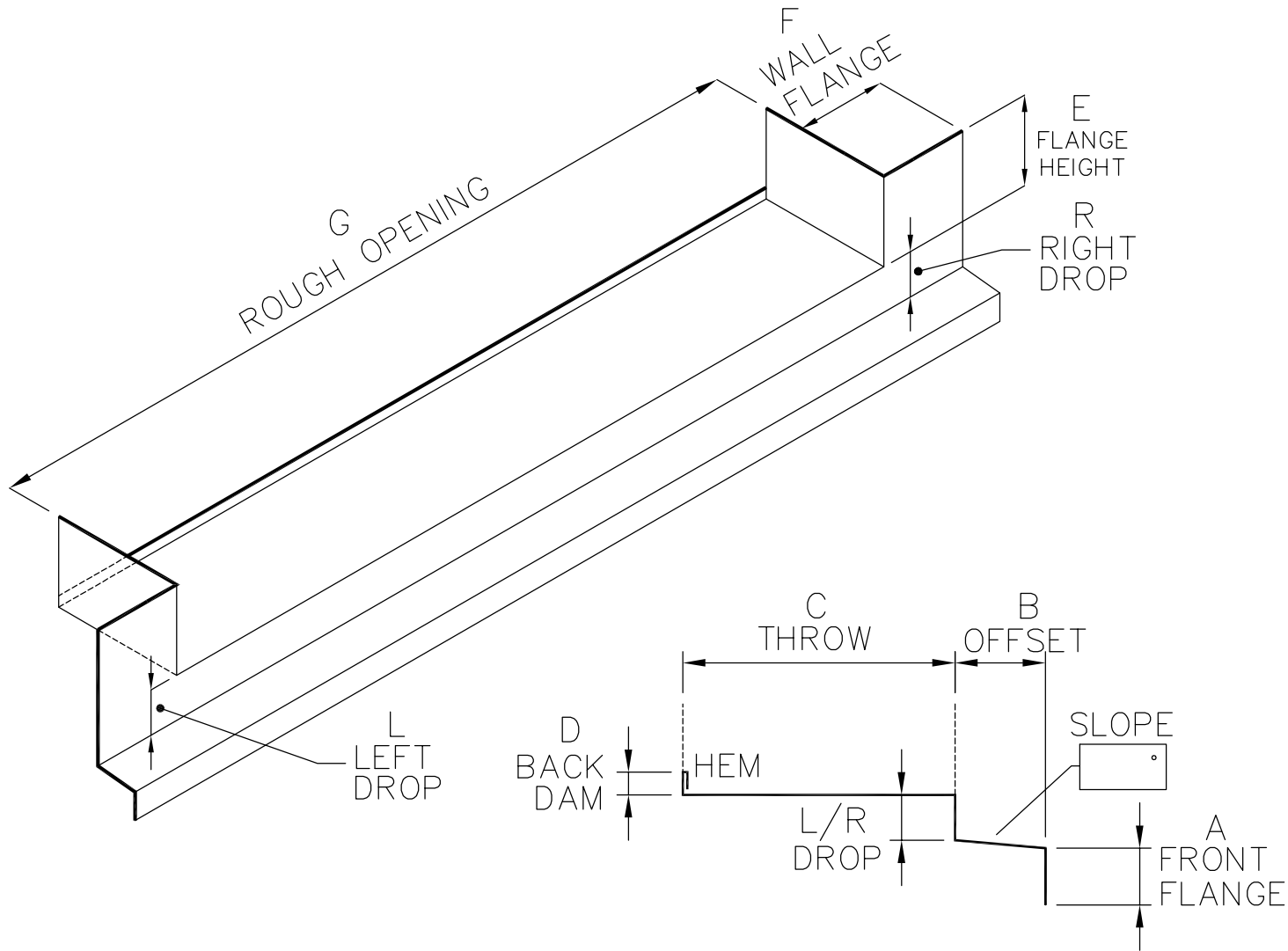
TYPE

DRAWN BY	DATE	SCALE FACTOR
----------	------	--------------

DRAWING #
PAN-004

UNIT	A FRONT FLANGE	B OFFSET	C THROW	D BACK DAM	E FLANGE HEIGHT	F WALL FLANGE	G ROUGH OPENING	L LEFT DROP	R RIGHT DROP

CUSTOMER	
JOB	
ADDRESS	
CONTACT	PHONE
COLOR	
STAINLESS #2 <input type="checkbox"/>	STAINLESS #4 <input type="checkbox"/>
GALVANIZED <input type="checkbox"/>	PRE-PRIMED <input type="checkbox"/>
COPPER 16 OZ. <input type="checkbox"/>	COPPER 20 OZ. <input type="checkbox"/>
GUAGE	22 <input type="checkbox"/> 24 <input type="checkbox"/> 26 <input type="checkbox"/>
QUANTITY	



FAST FLASHINGS
www.fastflashings.com

Kirkland 425-427-8367 Seattle 206-364-3612

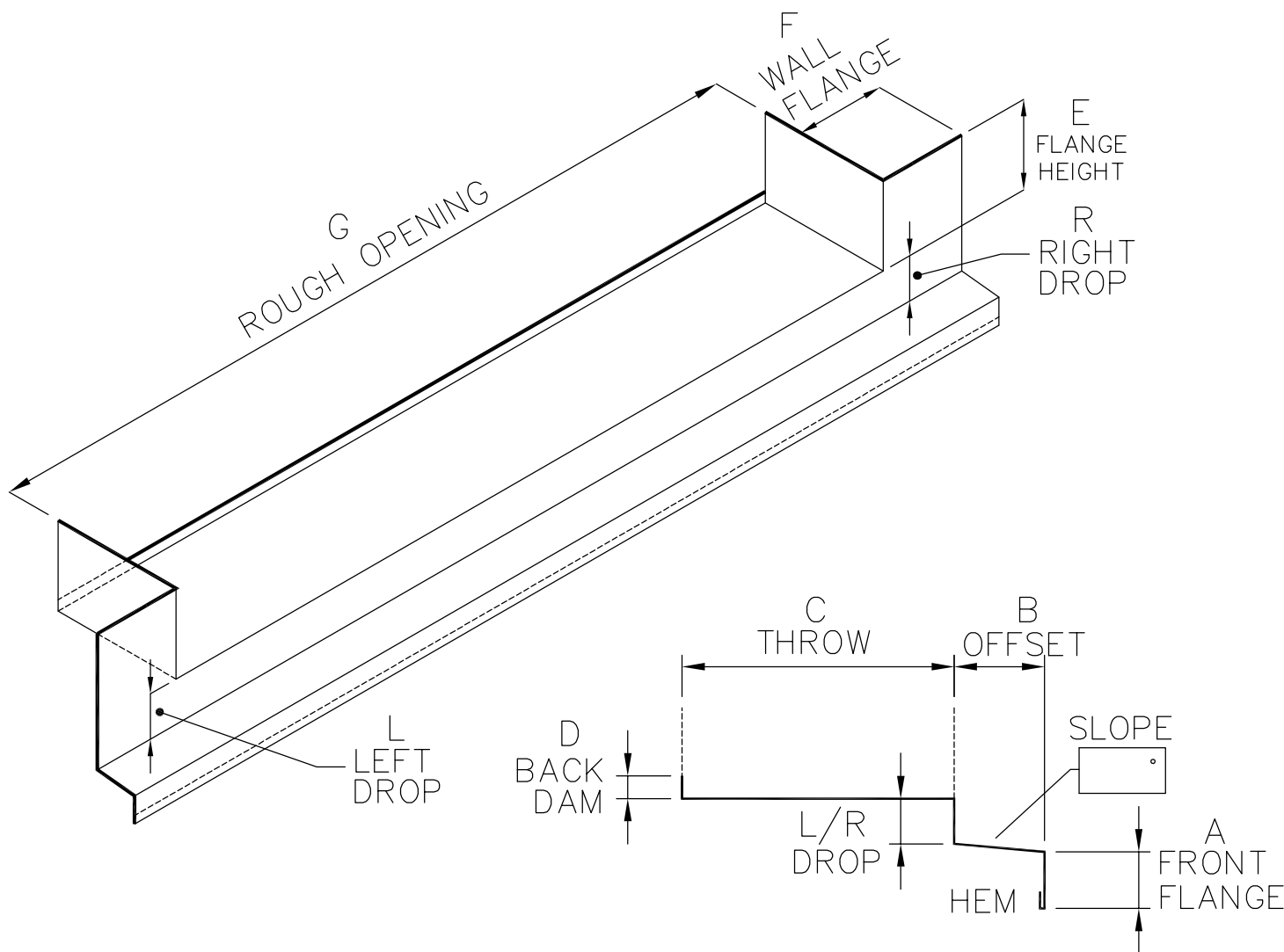
TYPE

DRAWN BY	DATE	SCALE FACTOR
----------	------	--------------

DRAWING #
PAN-004-B

UNIT	A FRONT FLANGE	B OFFSET	C THROW	D BACK DAM	E FLANGE HEIGHT	F WALL FLANGE	G ROUGH OPENING	L LEFT DROP	R RIGHT DROP

CUSTOMER		
JOB		
ADDRESS		
CONTACT	PHONE	
COLOR		
STAINLESS #2 <input type="checkbox"/>	STAINLESS #4 <input type="checkbox"/>	
GALVANIZED <input type="checkbox"/>	PRE-PRIMED <input type="checkbox"/>	
COPPER 16 OZ. <input type="checkbox"/>	COPPER 20 OZ. <input type="checkbox"/>	
GAUGE 22 <input type="checkbox"/>	24 <input type="checkbox"/>	26 <input type="checkbox"/>
QUANTITY		



FAST FLASHINGS
www.fastflashings.com

Kirkland 425-427-8367 Seattle 206-364-3612

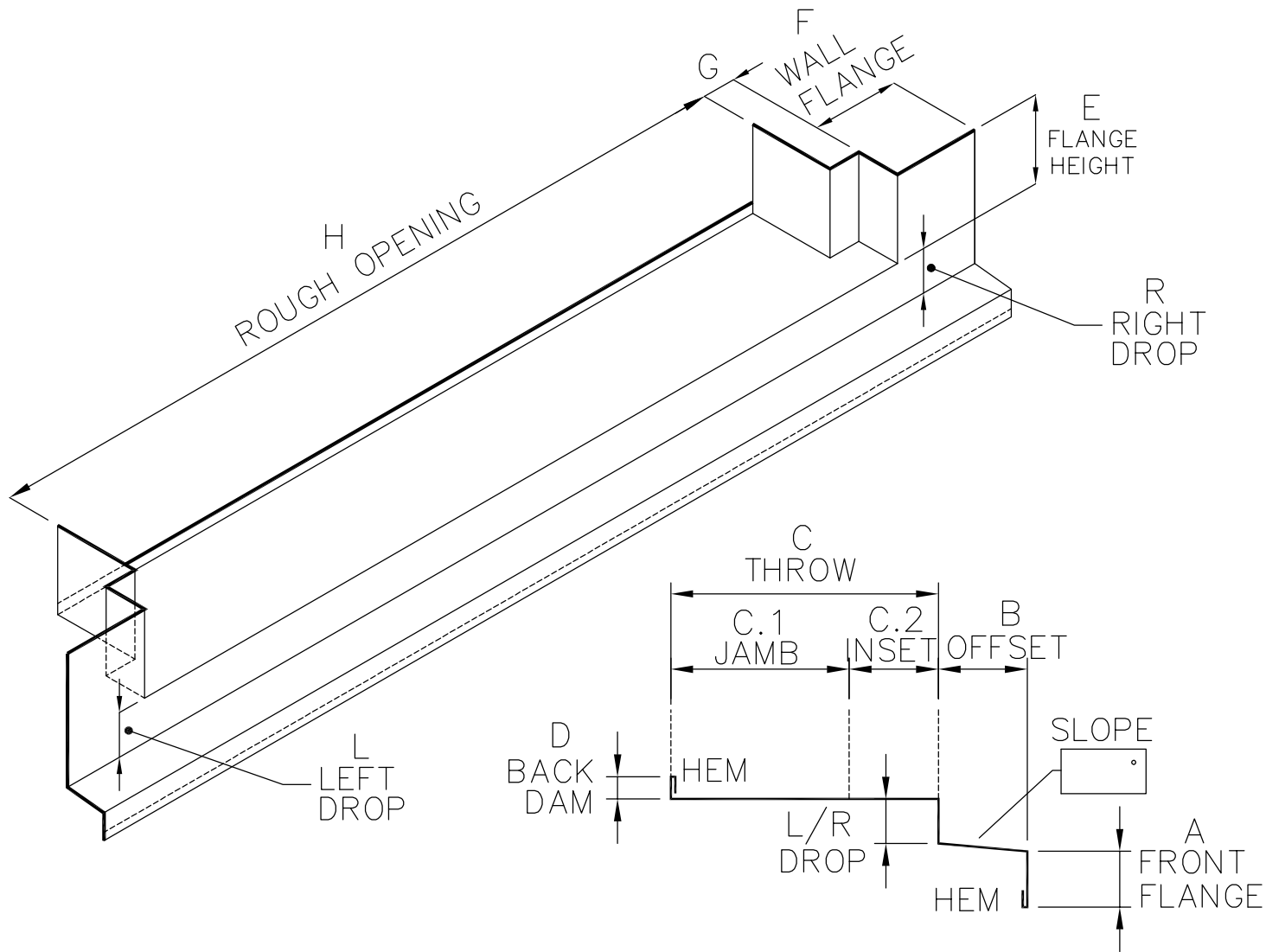
TYPE

DRAWN BY	DATE	SCALE FACTOR
----------	------	--------------

DRAWING #
PAN-004-F

UNIT	A FRONT FLANGE	B OFFSET	C.1 JAMB	C.2 INSET	C THROW	D BACK DAM	E FLANGE HEIGHT	F WALL FLANGE	G JAMB DEPTH	H ROUGH OPENING	L LEFT DROP	R RIGHT DROP

CUSTOMER		
JOB		
ADDRESS		
CONTACT	PHONE	
COLOR		
STAINLESS #2 <input type="checkbox"/>	STAINLESS #4 <input type="checkbox"/>	
GALVANIZED <input type="checkbox"/>	PRE-PRIMED <input type="checkbox"/>	
COPPER 16 OZ. <input type="checkbox"/>	COPPER 20 OZ. <input type="checkbox"/>	
GAUGE 22 <input type="checkbox"/>	24 <input type="checkbox"/>	26 <input type="checkbox"/>
QUANTITY		



FAST FLASHINGS
www.fastflashings.com

Kirkland 425-427-8367 Seattle 206-364-3612

TYPE

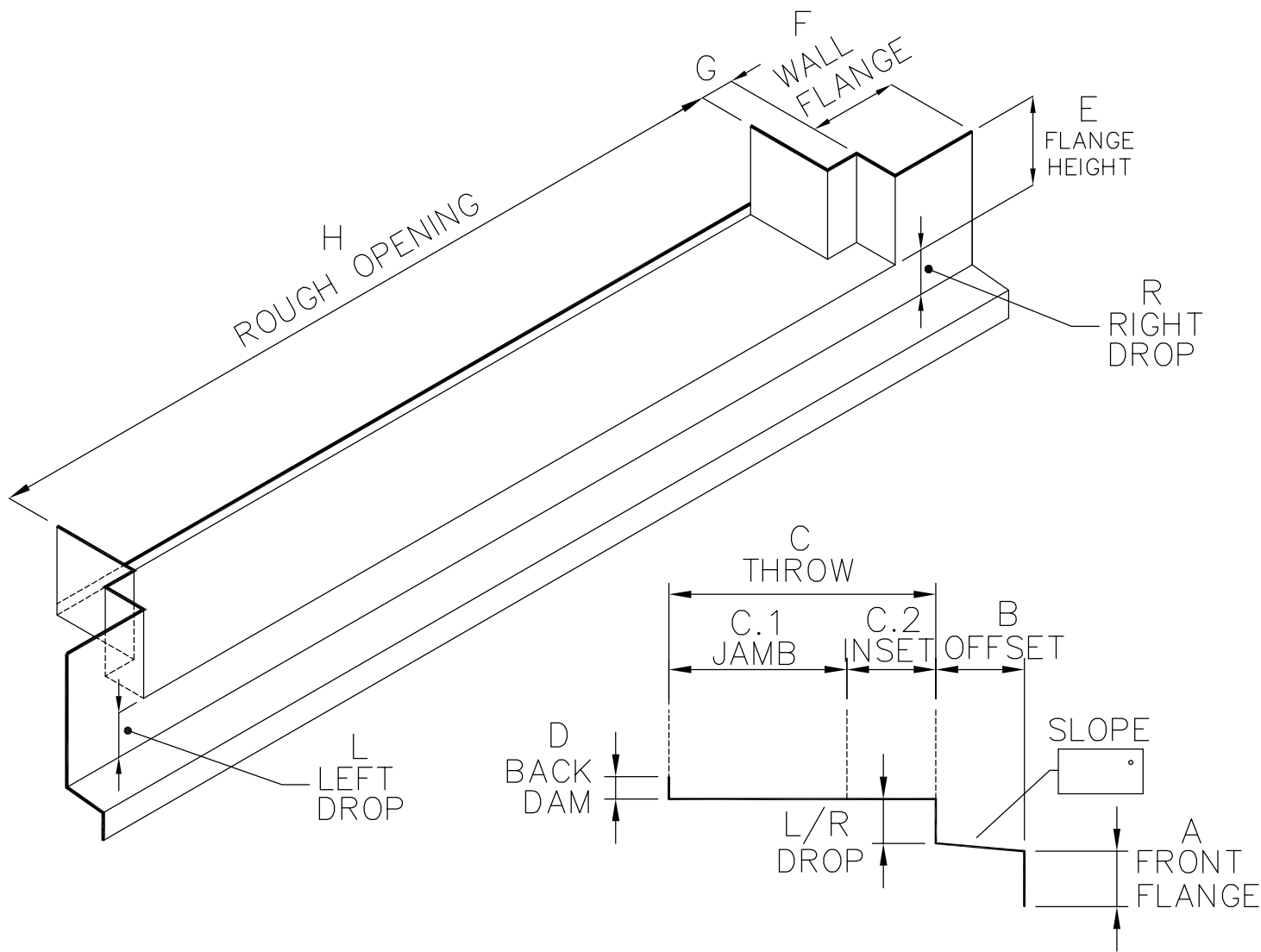
DRAWN BY	DATE	SCALE FACTOR
----------	------	--------------

DRAWING #

PAN-004.1-BF

UNIT	A FRONT FLANGE	B OFFSET	C.1 JAMB	C.2 INSET	C THROW	D BACK DAM	E FLANGE HEIGHT	F WALL FLANGE	G JAMB DEPTH	H ROUGH OPENING	L LEFT DROP	R RIGHT DROP

CUSTOMER		
JOB		
ADDRESS		
CONTACT	PHONE	
COLOR		
STAINLESS #2 <input type="checkbox"/>	STAINLESS #4 <input type="checkbox"/>	
GALVANIZED <input type="checkbox"/>	PRE-PRIMED <input type="checkbox"/>	
COPPER 16 OZ. <input type="checkbox"/>	COPPER 20 OZ. <input type="checkbox"/>	
GAUGE 22 <input type="checkbox"/>	24 <input type="checkbox"/>	26 <input type="checkbox"/>
QUANTITY		



FAST FLASHINGS
www.fastflashings.com

Kirkland 425-427-8367 Seattle 206-364-3612

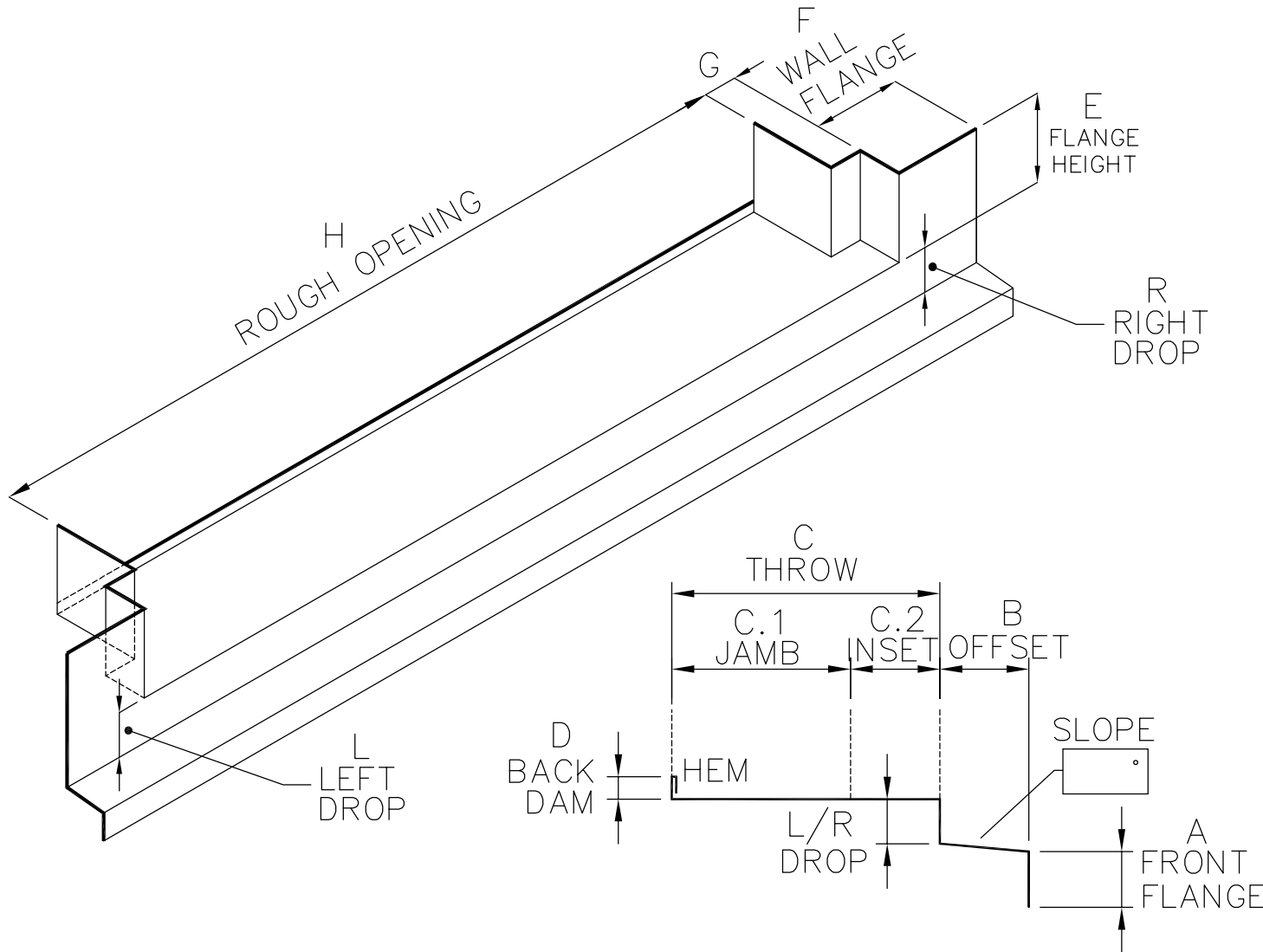
TYPE

DRAWN BY	DATE	SCALE FACTOR
----------	------	--------------

DRAWING #
PAN-004.1

UNIT	A FRONT FLANGE	B OFFSET	C.1 JAMB	C.2 INSET	C THROW	D BACK DAM	E FLANGE HEIGHT	F WALL FLANGE	G JAMB DEPTH	H ROUGH OPENING	L LEFT DROP	R RIGHT DROP

CUSTOMER		
JOB		
ADDRESS		
CONTACT	PHONE	
COLOR		
STAINLESS #2 <input type="checkbox"/>	STAINLESS #4 <input type="checkbox"/>	
GALVANIZED <input type="checkbox"/>	PRE-PRIMED <input type="checkbox"/>	
COPPER 16 OZ. <input type="checkbox"/>	COPPER 20 OZ. <input type="checkbox"/>	
GAUGE 22 <input type="checkbox"/>	24 <input type="checkbox"/>	26 <input type="checkbox"/>
QUANTITY		



FAST FLASHINGS
www.fastflashings.com

Kirkland 425-427-8367 Seattle 206-364-3612

TYPE

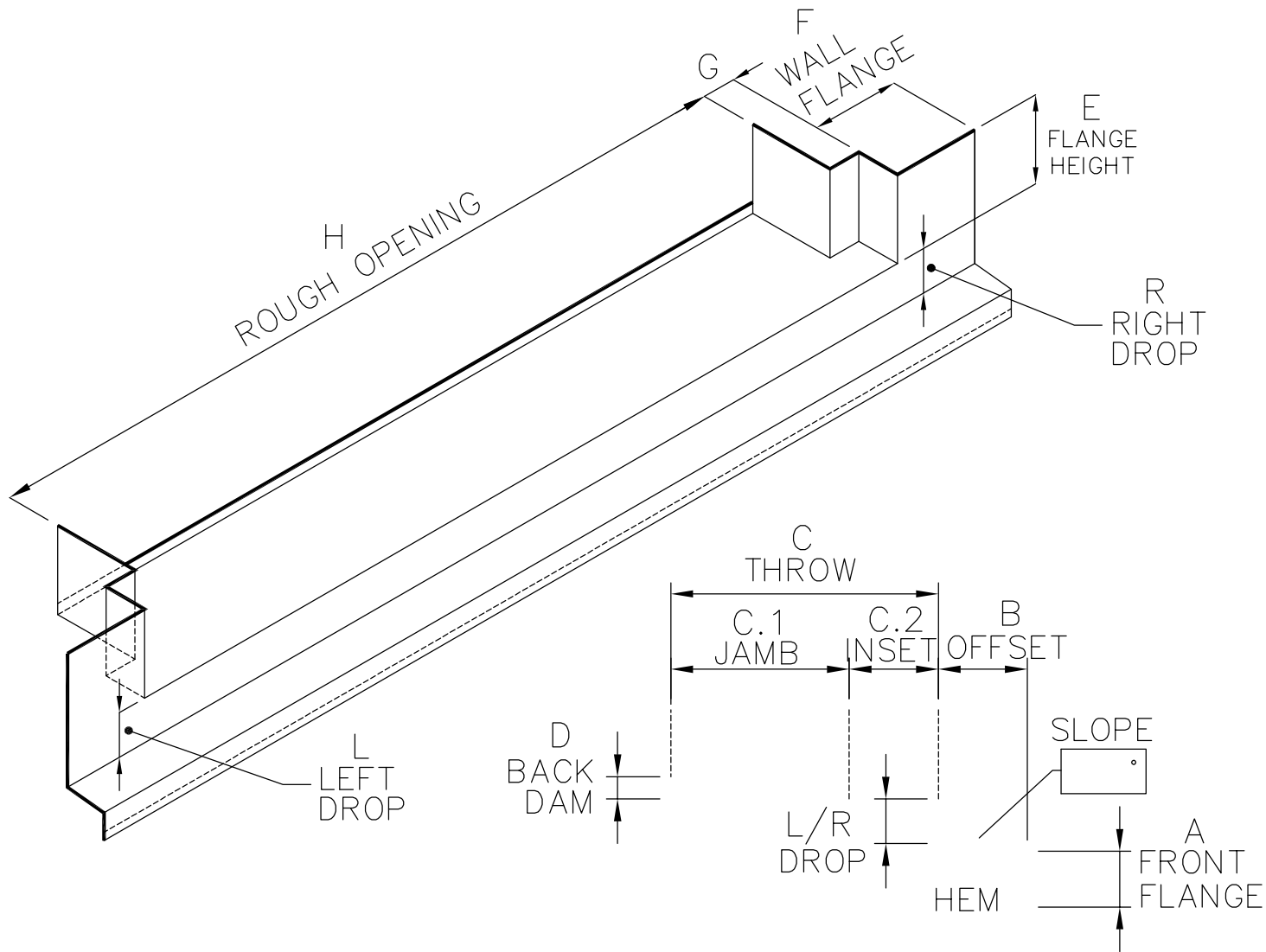
DRAWN BY	DATE	SCALE FACTOR
----------	------	--------------

DRAWING #

PAN-004.1-B

UNIT	A FRONT FLANGE	B OFFSET	C.1 JAMB	C.2 INSET	C THROW	D BACK DAM	E FLANGE HEIGHT	F WALL FLANGE	G JAMB DEPTH	H ROUGH OPENING	L LEFT DROP	R RIGHT DROP

CUSTOMER		
JOB		
ADDRESS		
CONTACT	PHONE	
COLOR		
STAINLESS #2 <input type="checkbox"/>	STAINLESS #4 <input type="checkbox"/>	
GALVANIZED <input type="checkbox"/>	PRE-PRIMED <input type="checkbox"/>	
COPPER 16 OZ. <input type="checkbox"/>	COPPER 20 OZ. <input type="checkbox"/>	
GAUGE 22 <input type="checkbox"/>	24 <input type="checkbox"/>	26 <input type="checkbox"/>
QUANTITY		



FAST FLASHINGS
www.fastflashings.com

Kirkland 425-427-8367 Seattle 206-364-3612

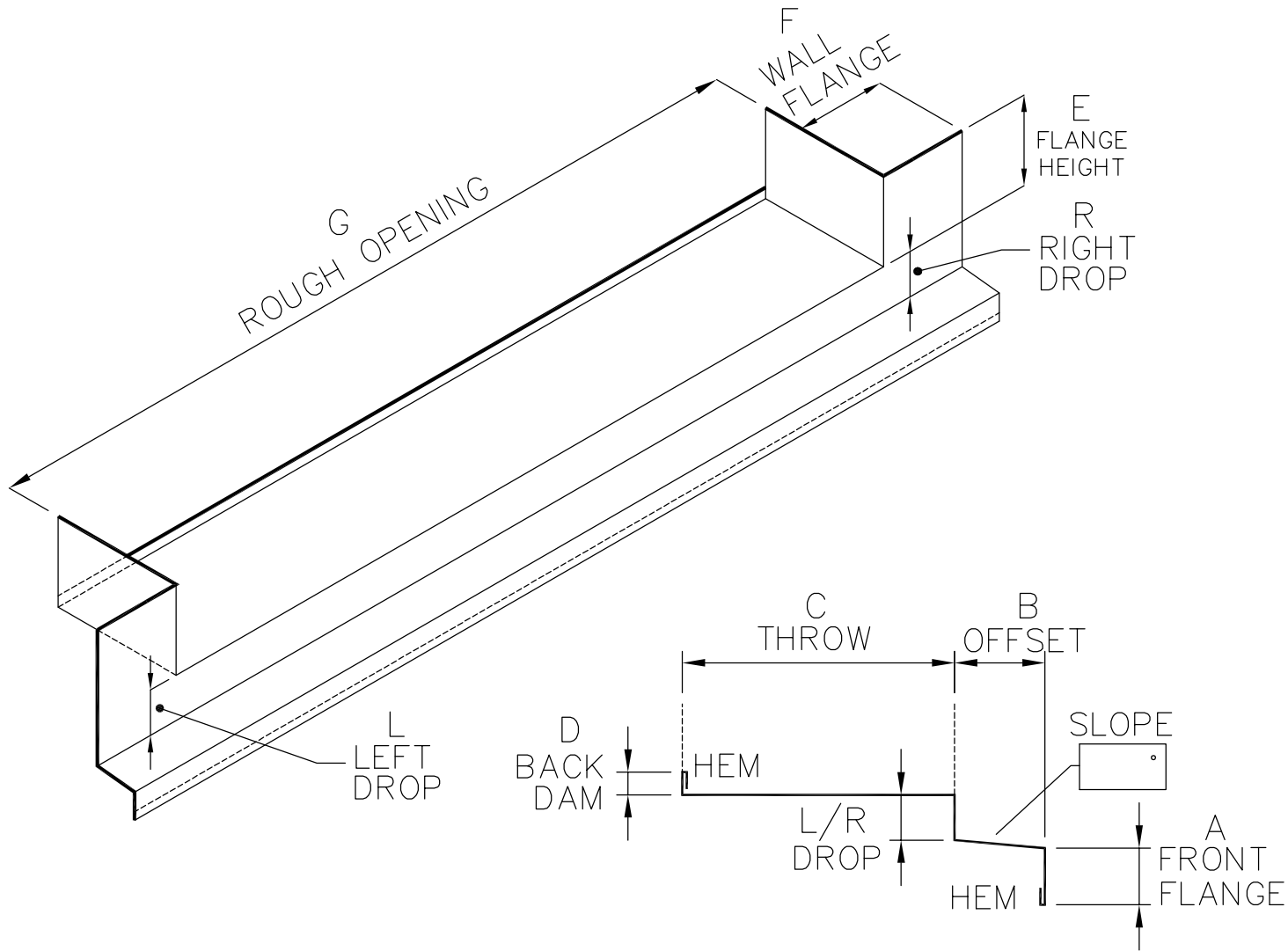
TYPE

DRAWN BY	DATE	SCALE FACTOR
----------	------	--------------

DRAWING #
PAN-004.1-F

UNIT	A FRONT FLANGE	B OFFSET	C THROW	D BACK DAM	E FLANGE HEIGHT	F WALL FLANGE	G ROUGH OPENING	L LEFT DROP	R RIGHT DROP

CUSTOMER		
JOB		
ADDRESS		
CONTACT	PHONE	
COLOR		
STAINLESS #2 <input type="checkbox"/>	STAINLESS #4 <input type="checkbox"/>	
GALVANIZED <input type="checkbox"/>	PRE-PRIMED <input type="checkbox"/>	
COPPER 16 OZ. <input type="checkbox"/>	COPPER 20 OZ. <input type="checkbox"/>	
GAUGE 22 <input type="checkbox"/>	24 <input type="checkbox"/>	26 <input type="checkbox"/>
QUANTITY		



FAST FLASHINGS
www.fastflashings.com

Kirkland 425-427-8367 Seattle 206-364-3612

TYPE

DRAWN BY	DATE	SCALE FACTOR
----------	------	--------------

DRAWING #
PAN-004-BF