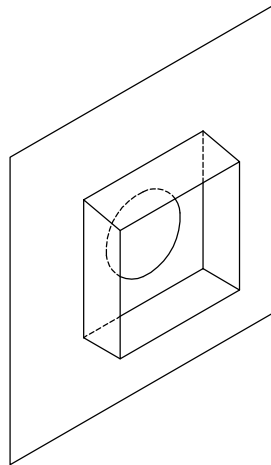
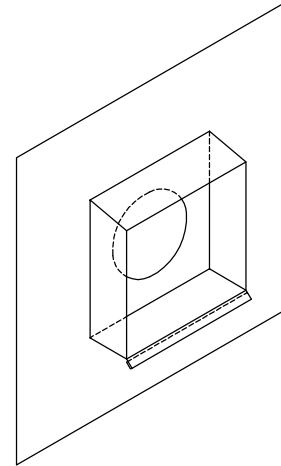


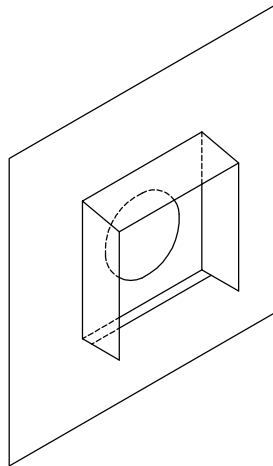
VT-001



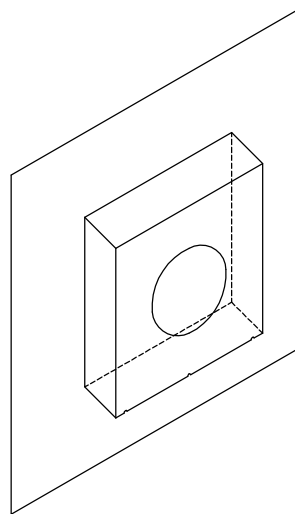
VT-002-4"
VT-002-3"
VT-002-2h
VT-002-3h



VT-003
VT-003-2h
VT-003-3h

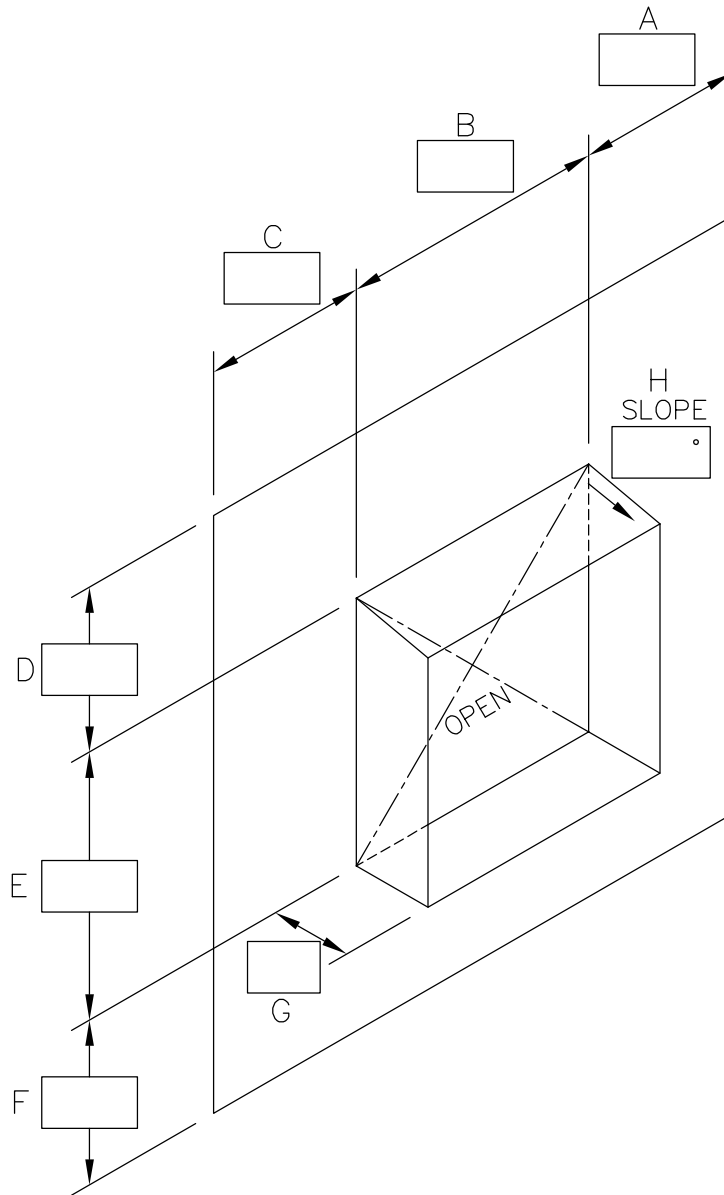


VT-004
VT-004-2h
VT-004-3h



VT-005-4"
VT-005-6"

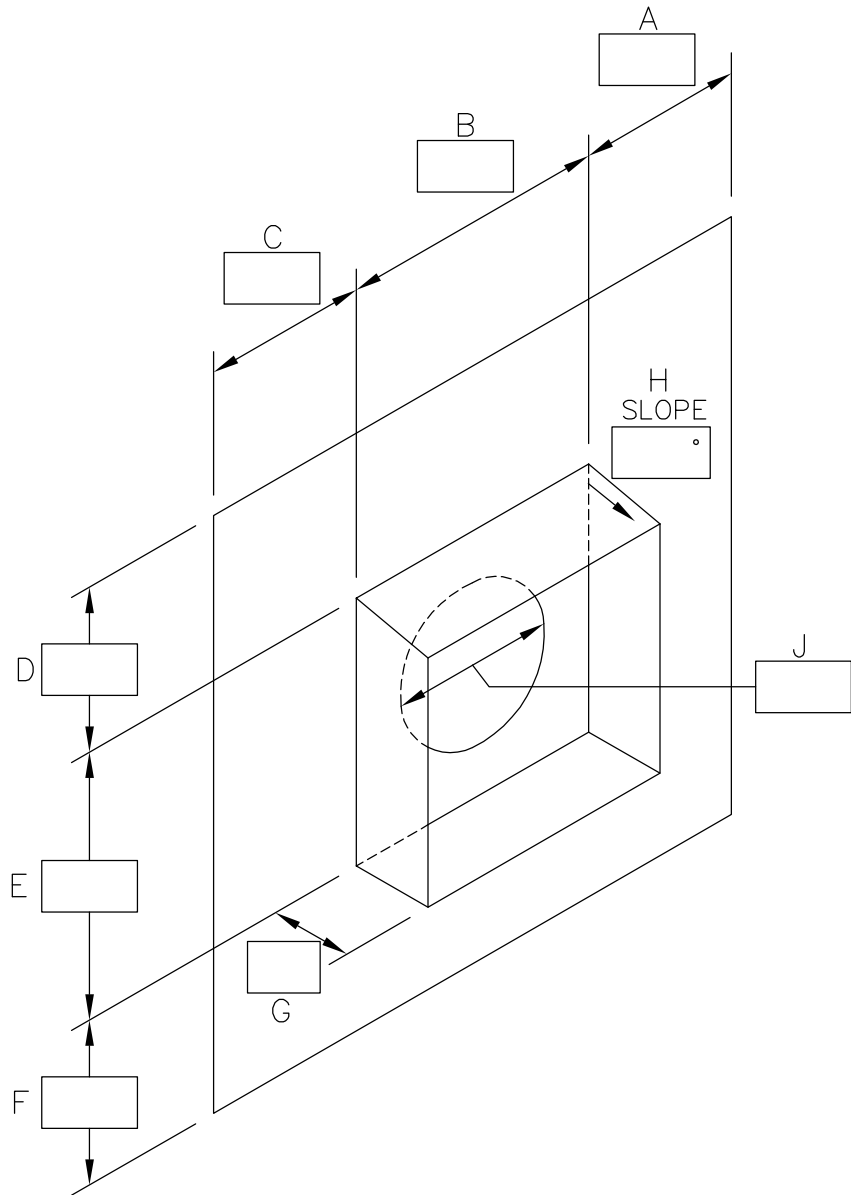
FAST FLASHINGS www.fastflashings.com		
Kirkland 425-427-8367 Seattle 206-364-3612		
DRAWN BY	DATE	SCALE FACTOR
DRAWING #		
VT-LEGEND-01		
VT-001 - VT-005		



CUSTOMER	
JOB	
ADDRESS	
CONTACT	PHONE
COLOR	
STAINLESS #2 <input type="checkbox"/>	STAINLESS #4 <input type="checkbox"/>
GALVANIZED <input type="checkbox"/>	PRE-PRIMED <input type="checkbox"/>
COPPER 16 OZ. <input type="checkbox"/>	COPPER 20 OZ. <input type="checkbox"/>
GAUGE 22 <input type="checkbox"/>	24 <input type="checkbox"/> 26 <input type="checkbox"/>
QUANTITY	

FAST FLASHINGS
www.fastflashings.com
 Kirkland 425-427-8367 Seattle 206-364-3612

TYPE		
DRAWN BY	DATE	SCALE FACTOR
DRAWING #		
VT-001		



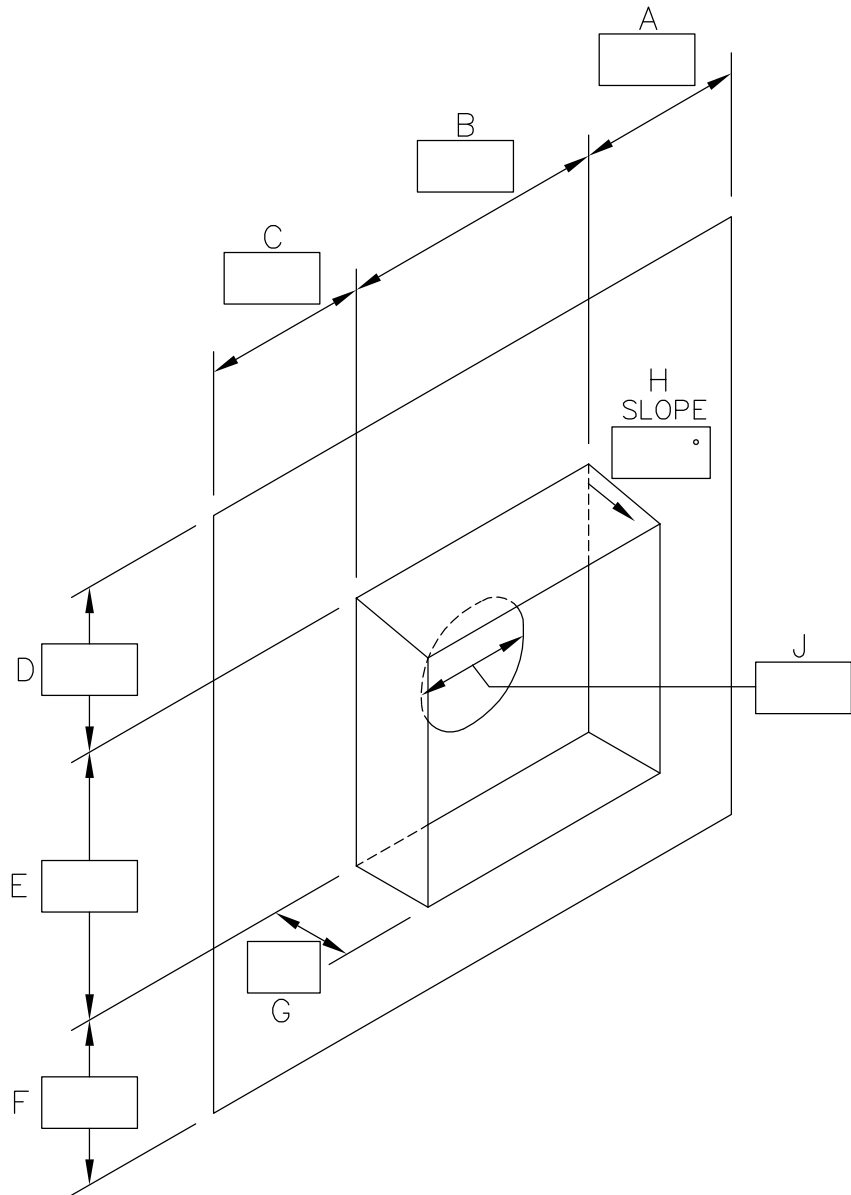
CUSTOMER	
JOB	
ADDRESS	
CONTACT	PHONE
COLOR	
STAINLESS #2 <input type="checkbox"/>	STAINLESS #4 <input type="checkbox"/>
GALVANIZED <input type="checkbox"/>	PRE-PRIMED <input type="checkbox"/>
COPPER 16 OZ. <input type="checkbox"/>	COPPER 20 OZ. <input type="checkbox"/>
GAUGE 22 <input type="checkbox"/>	24 <input type="checkbox"/>
26 <input type="checkbox"/>	
QUANTITY	

FAST FLASHINGS
www.fastflashings.com
 Kirkland 425-427-8367 Seattle 206-364-3612

TYPE

DRAWN BY	DATE	SCALE FACTOR
----------	------	--------------

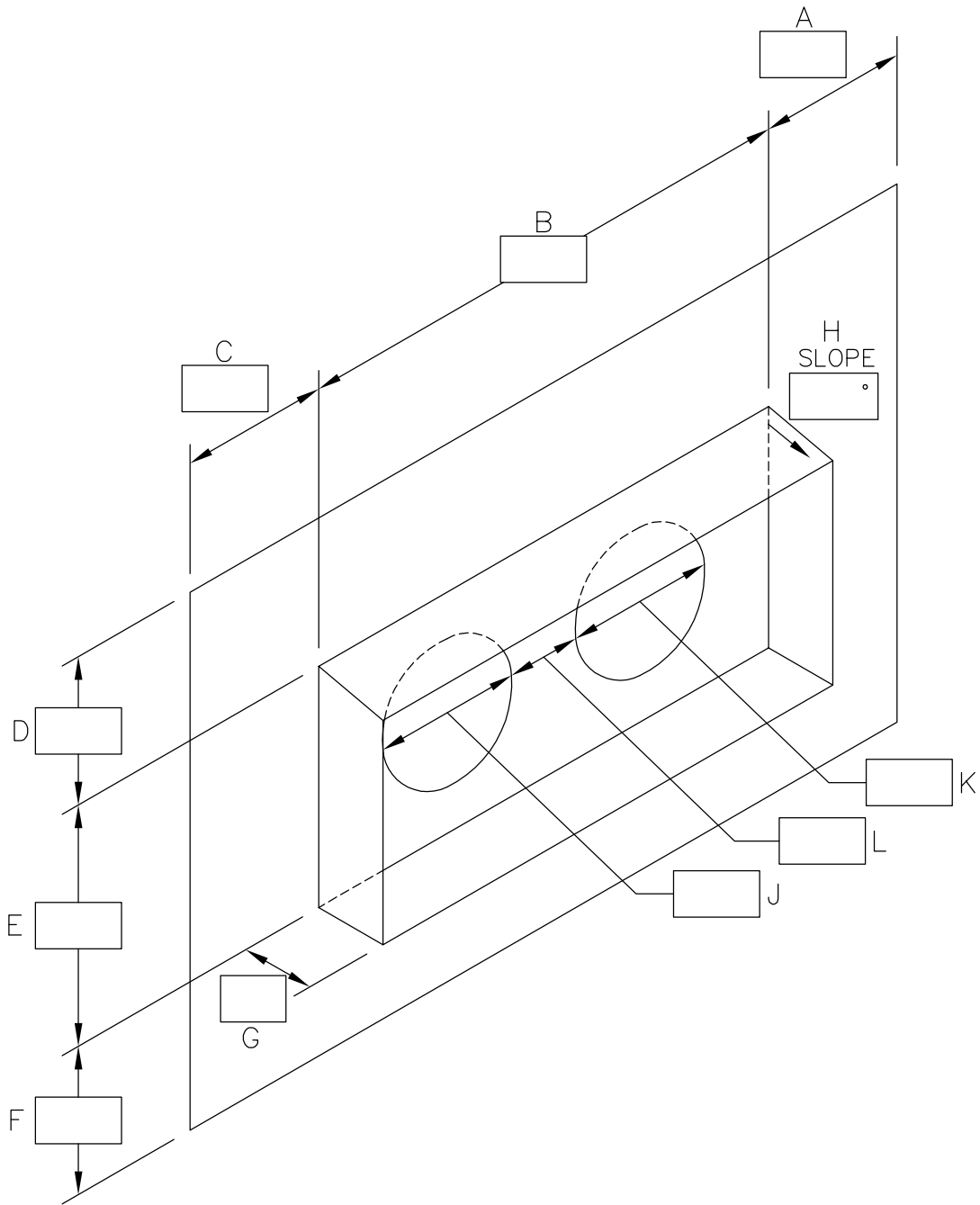
DRAWING #
 VT-002-4''



CUSTOMER	
JOB	
ADDRESS	
CONTACT	PHONE
COLOR	
STAINLESS #2 <input type="checkbox"/>	STAINLESS #4 <input type="checkbox"/>
GALVANIZED <input type="checkbox"/>	PRE-PRIMED <input type="checkbox"/>
COPPER 16 OZ. <input type="checkbox"/>	COPPER 20 OZ. <input type="checkbox"/>
GUAGE 22 <input type="checkbox"/>	24 <input type="checkbox"/>
26 <input type="checkbox"/>	
QUANTITY	

FAST FLASHINGS
www.fastflashings.com
 Kirkland 425-427-8367 Seattle 206-364-3612

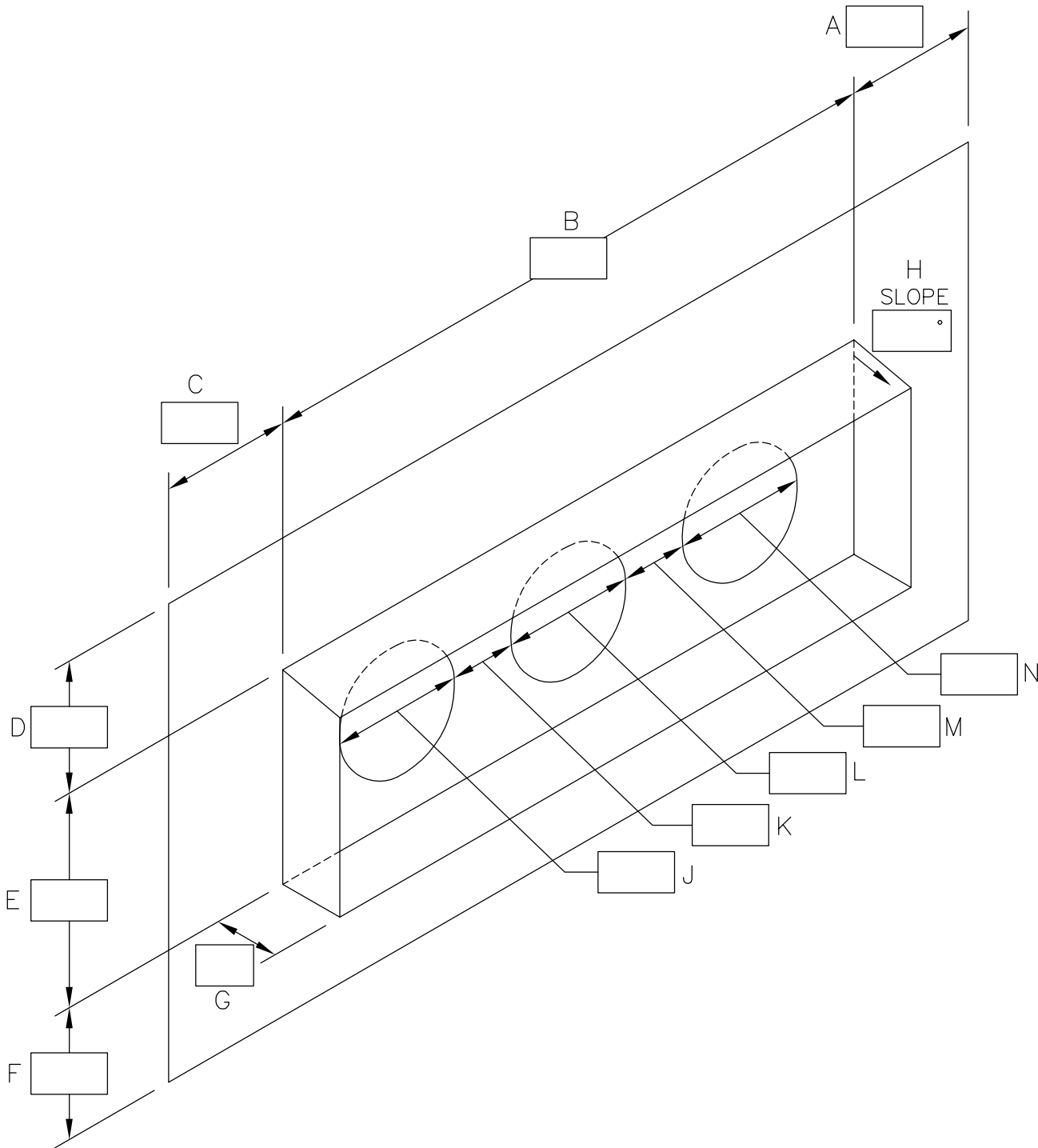
TYPE		
DRAWN BY	DATE	SCALE FACTOR
DRAWING #		
VT-002-3''		



CUSTOMER	
JOB	
ADDRESS	
CONTACT	PHONE
COLOR	
STAINLESS #2 <input type="checkbox"/>	STAINLESS #4 <input type="checkbox"/>
GALVANIZED <input type="checkbox"/>	PRE-PRIMED <input type="checkbox"/>
COPPER 16 OZ. <input type="checkbox"/>	COPPER 20 OZ. <input type="checkbox"/>
GUAGE 22 <input type="checkbox"/>	24 <input type="checkbox"/>
26 <input type="checkbox"/>	
QUANTITY	

FAST FLASHINGS
www.fastflashings.com
 Kirkland 425-427-8367 Seattle 206-364-3612

TYPE		
DRAWN BY	DATE	SCALE FACTOR
DRAWING #		
VT-002-2h		



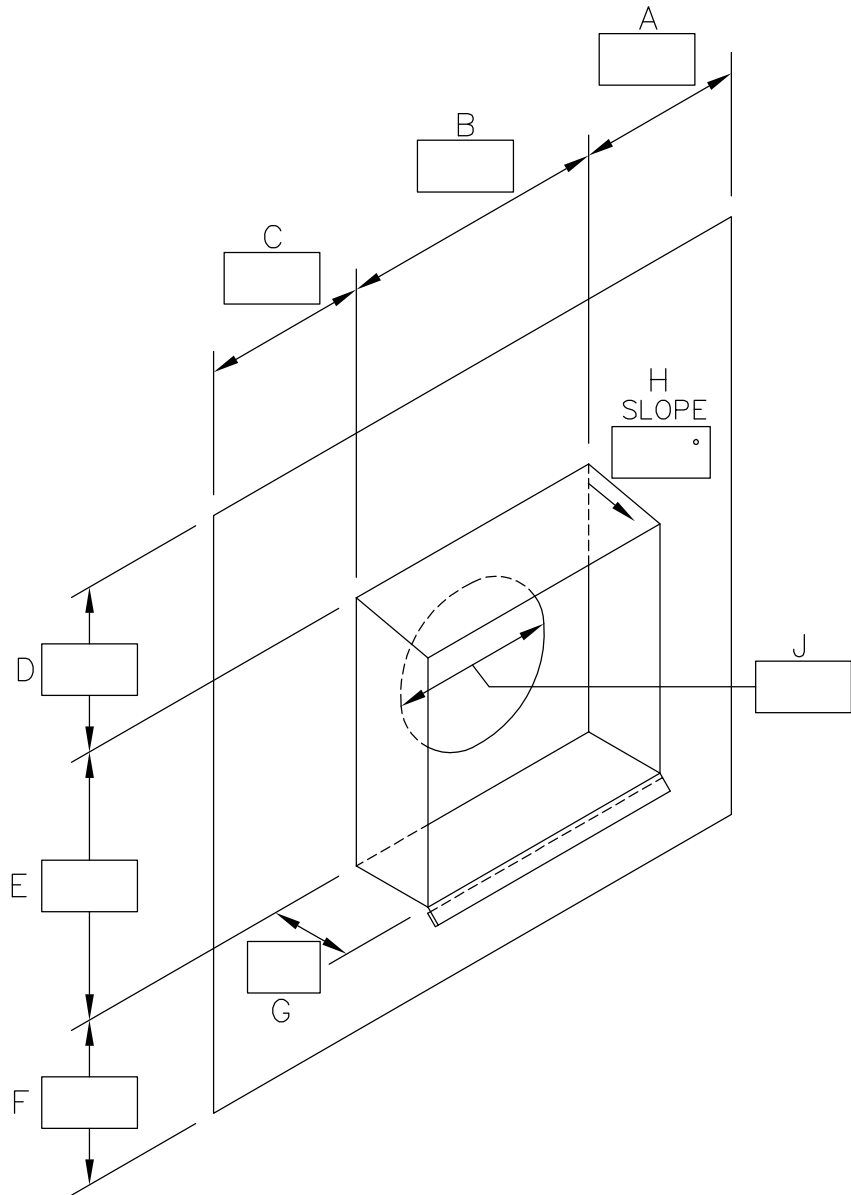
CUSTOMER		
JOB		
ADDRESS		
CONTACT	PHONE	
COLOR		
STAINLESS #2 <input type="checkbox"/>	STAINLESS #4 <input type="checkbox"/>	
GALVANIZED <input type="checkbox"/>	PRE-PRIMED <input type="checkbox"/>	
COPPER 16 OZ. <input type="checkbox"/>	COPPER 20 OZ. <input type="checkbox"/>	
GAUGE 22 <input type="checkbox"/>	24 <input type="checkbox"/>	26 <input type="checkbox"/>
QUANTITY		

**FAST
FLASHINGS**

www.fastflashings.com

Kirkland 425-427-8367 Seattle 206-364-3612

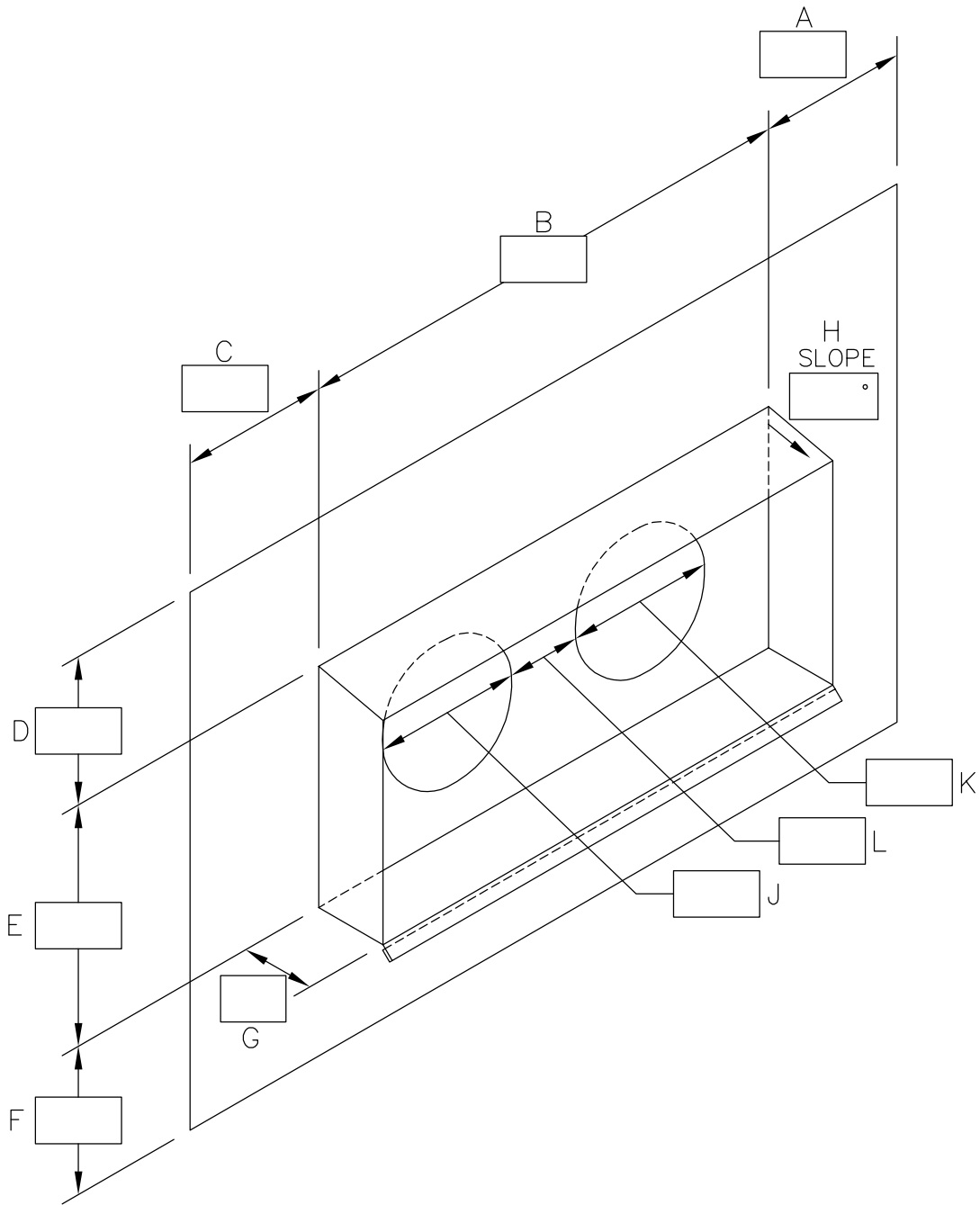
TYPE		
DRAWN BY	DATE	SCALE FACTOR
DRAWING #		
VT-002-3h		



CUSTOMER	
JOB	
ADDRESS	
CONTACT	PHONE
COLOR	
STAINLESS #2 <input type="checkbox"/>	STAINLESS #4 <input type="checkbox"/>
GALVANIZED <input type="checkbox"/>	PRE-PRIMED <input type="checkbox"/>
COPPER 16 OZ. <input type="checkbox"/>	COPPER 20 OZ. <input type="checkbox"/>
GAUGE 22 <input type="checkbox"/>	24 <input type="checkbox"/>
26 <input type="checkbox"/>	
QUANTITY	

FAST FLASHINGS
www.fastflashings.com
 Kirkland 425-427-8367 Seattle 206-364-3612

TYPE		
DRAWN BY	DATE	SCALE FACTOR
DRAWING #		
VT-003		

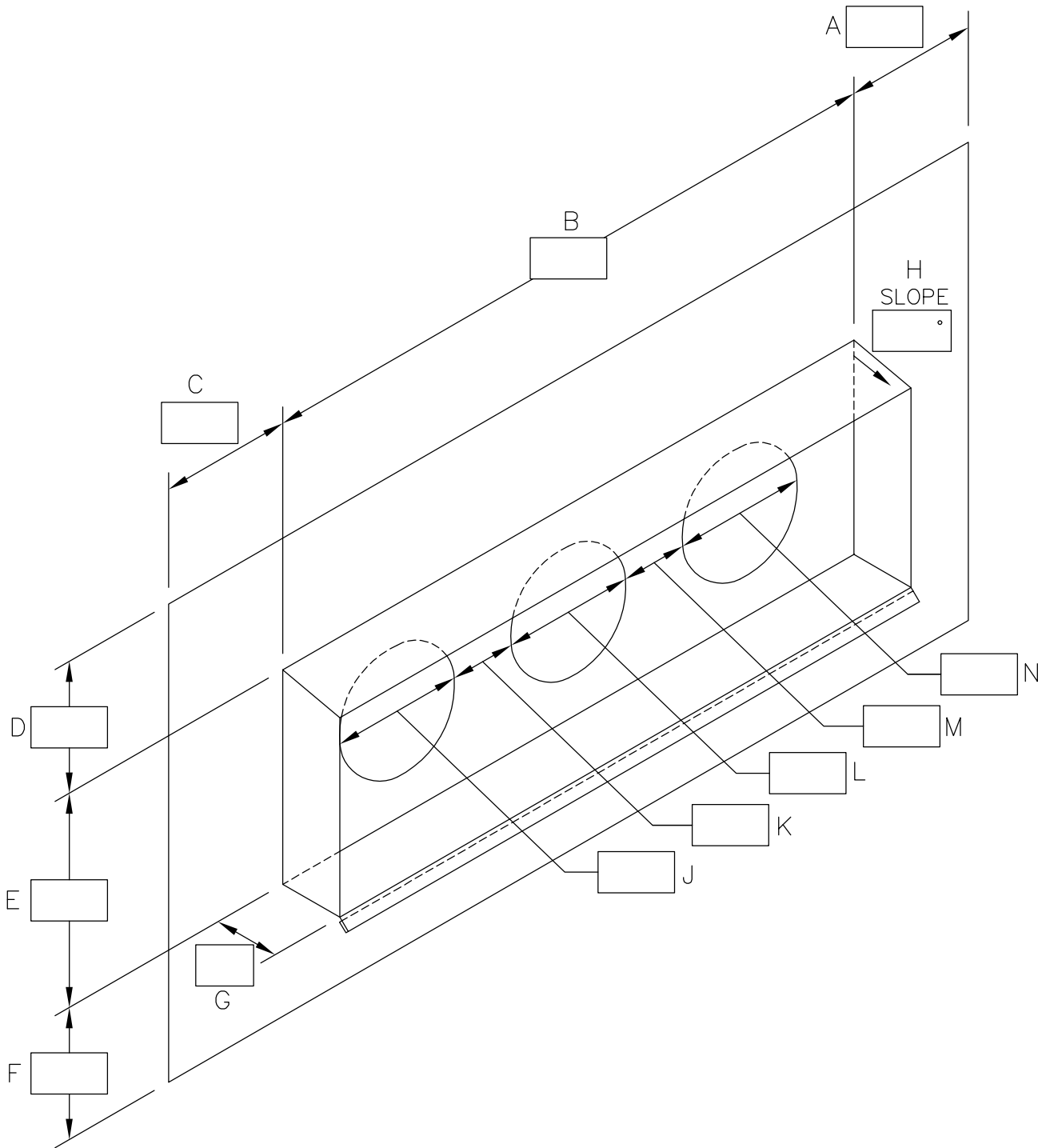


CUSTOMER	
JOB	
ADDRESS	
CONTACT	PHONE
COLOR	
STAINLESS #2 <input type="checkbox"/>	STAINLESS #4 <input type="checkbox"/>
GALVANIZED <input type="checkbox"/>	PRE-PRIMED <input type="checkbox"/>
COPPER 16 OZ. <input type="checkbox"/>	COPPER 20 OZ. <input type="checkbox"/>
GUAGE 22 <input type="checkbox"/>	24 <input type="checkbox"/>
26 <input type="checkbox"/>	
QUANTITY	

FAST FLASHINGS
www.fastflashings.com

Kirkland 425-427-8367 Seattle 206-364-3612

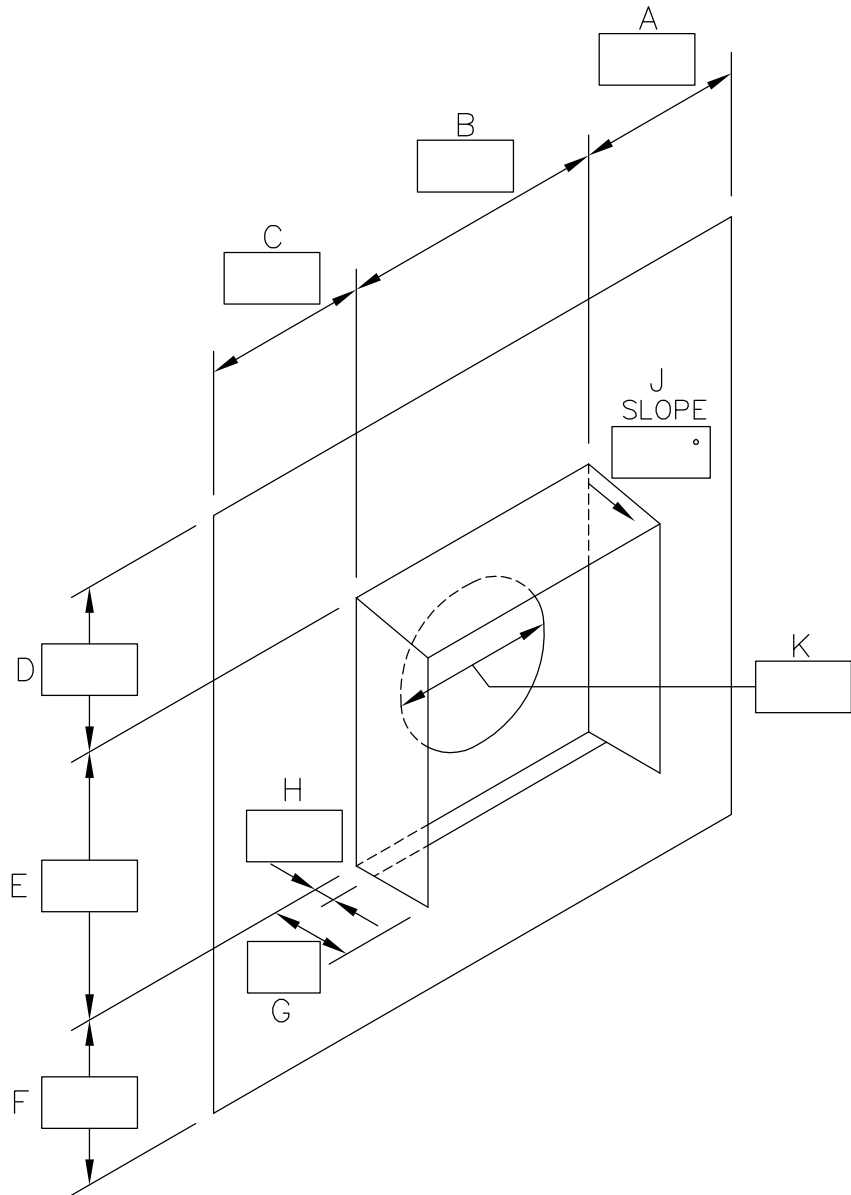
TYPE		
DRAWN BY	DATE	SCALE FACTOR
DRAWING #		
VT-003-2h		



CUSTOMER	
JOB	
ADDRESS	
CONTACT	PHONE
COLOR	
STAINLESS #2 <input type="checkbox"/>	STAINLESS #4 <input type="checkbox"/>
GALVANIZED <input type="checkbox"/>	PRE-PRIMED <input type="checkbox"/>
COPPER 16 OZ. <input type="checkbox"/>	COPPER 20 OZ. <input type="checkbox"/>
GAUGE 22 <input type="checkbox"/>	24 <input type="checkbox"/>
26 <input type="checkbox"/>	
QUANTITY	

FAST FLASHINGS
www.fastflashings.com
 Kirkland 425-427-8367 Seattle 206-364-3612

TYPE		
DRAWN BY	DATE	SCALE FACTOR
DRAWING #		
VT-003-3h		



CUSTOMER	
JOB	
ADDRESS	
CONTACT	PHONE
COLOR	
STAINLESS #2 <input type="checkbox"/>	STAINLESS #4 <input type="checkbox"/>
GALVANIZED <input type="checkbox"/>	PRE-PRIMED <input type="checkbox"/>
COPPER 16 OZ. <input type="checkbox"/>	COPPER 20 OZ. <input type="checkbox"/>
GAUGE 22 <input type="checkbox"/>	24 <input type="checkbox"/>
26 <input type="checkbox"/>	
QUANTITY	

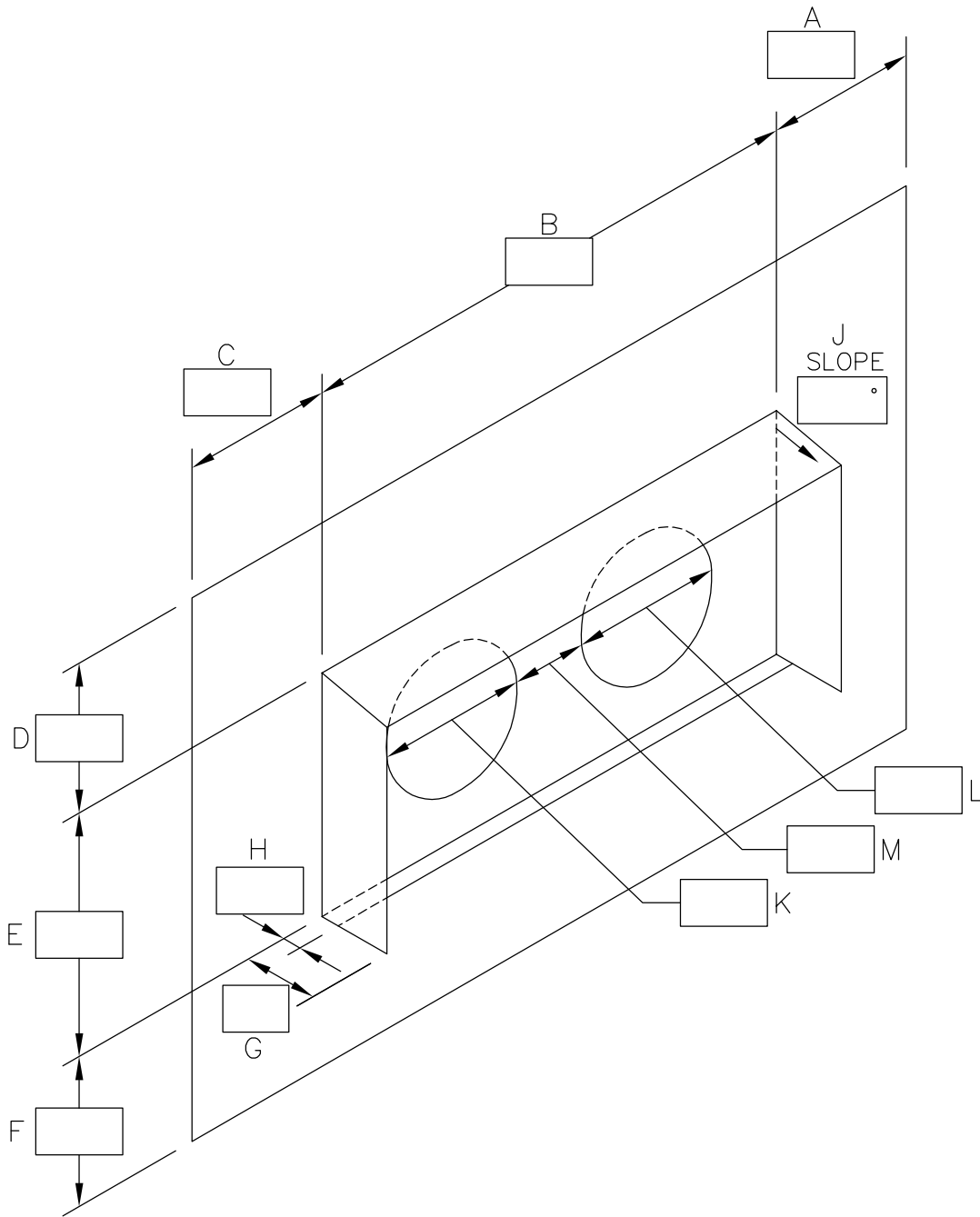
FAST FLASHINGS
www.fastflashings.com

Kirkland 425-427-8367 Seattle 206-364-3612

TYPE

DRAWN BY	DATE	SCALE FACTOR
----------	------	--------------

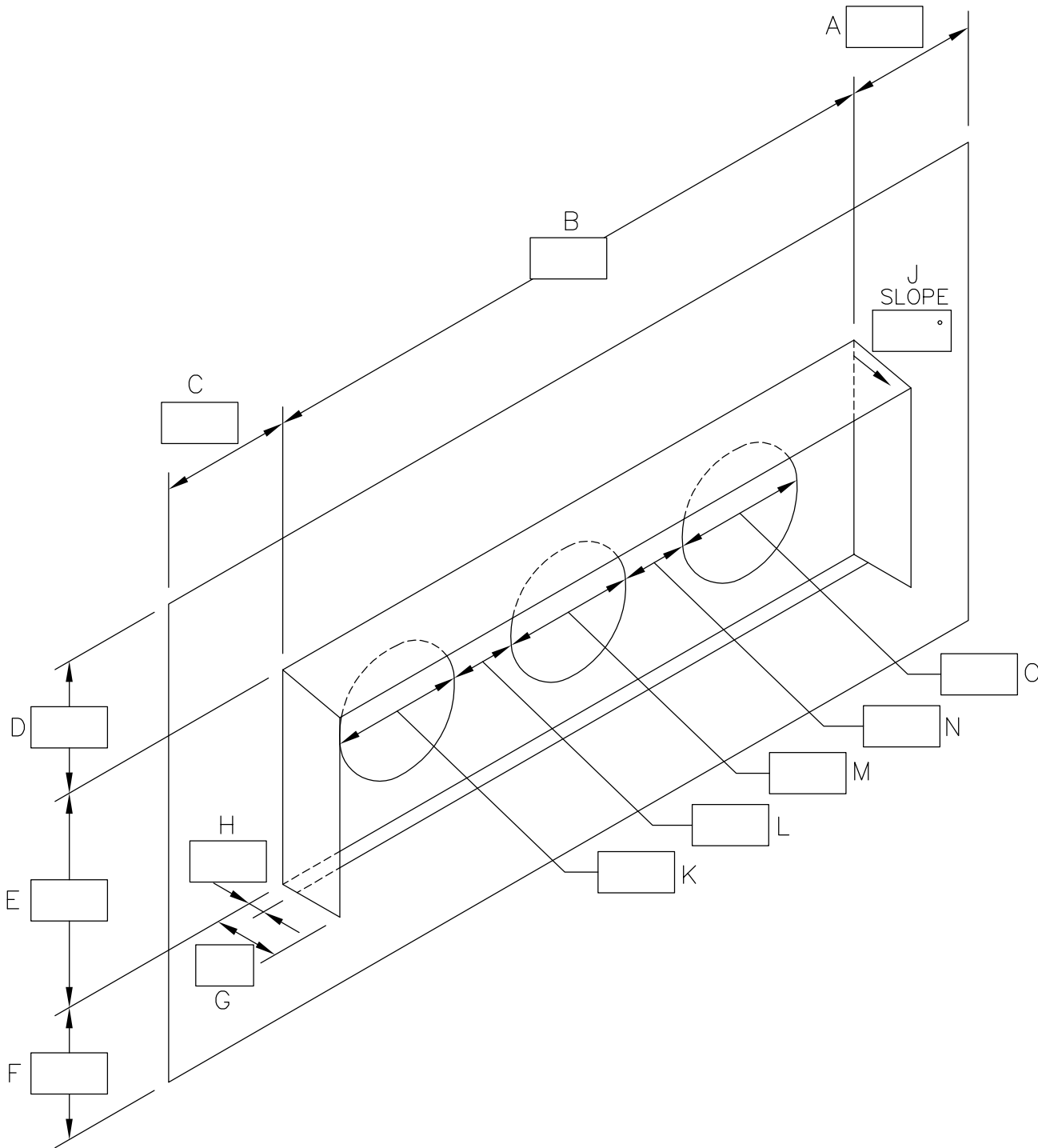
DRAWING #
VT-004



CUSTOMER	
JOB	
ADDRESS	
CONTACT	PHONE
COLOR	
STAINLESS #2 <input type="checkbox"/>	STAINLESS #4 <input type="checkbox"/>
GALVANIZED <input type="checkbox"/>	PRE-PRIMED <input type="checkbox"/>
COPPER 16 OZ. <input type="checkbox"/>	COPPER 20 OZ. <input type="checkbox"/>
GUAGE 22 <input type="checkbox"/>	24 <input type="checkbox"/>
26 <input type="checkbox"/>	
QUANTITY	

FAST FLASHINGS
www.fastflashings.com
 Kirkland 425-427-8367 Seattle 206-364-3612

TYPE		
DRAWN BY	DATE	SCALE FACTOR
DRAWING #		
VT-004-2h		



CUSTOMER	
JOB	
ADDRESS	
CONTACT	PHONE
COLOR	
STAINLESS #2 <input type="checkbox"/>	STAINLESS #4 <input type="checkbox"/>
GALVANIZED <input type="checkbox"/>	PRE-PRIMED <input type="checkbox"/>
COPPER 16 OZ. <input type="checkbox"/>	COPPER 20 OZ. <input type="checkbox"/>
GAUGE 22 <input type="checkbox"/>	24 <input type="checkbox"/>
26 <input type="checkbox"/>	
QUANTITY	

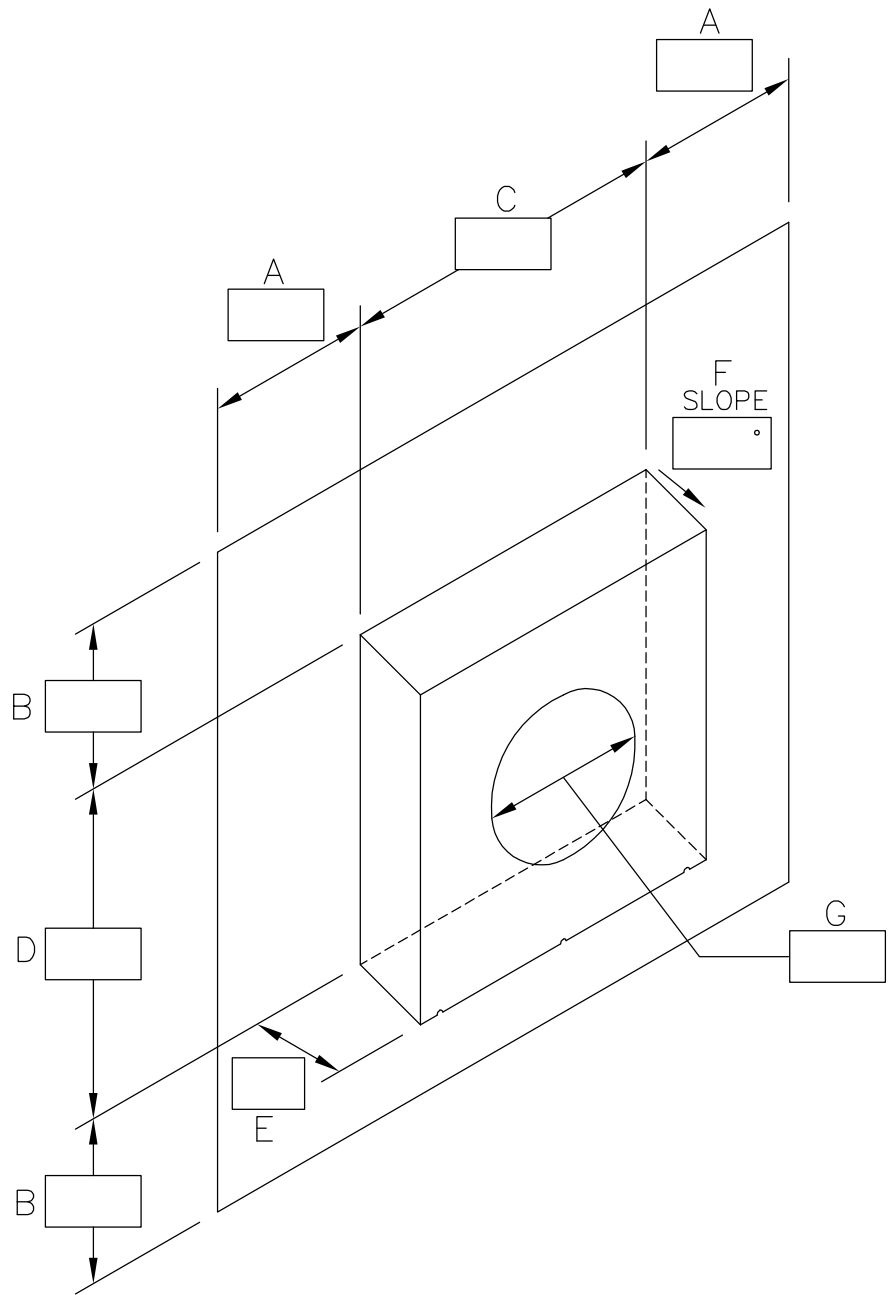
FAST FLASHINGS
www.fastflashings.com

Kirkland 425-427-8367 Seattle 206-364-3612

TYPE

DRAWN BY	DATE	SCALE FACTOR
----------	------	--------------

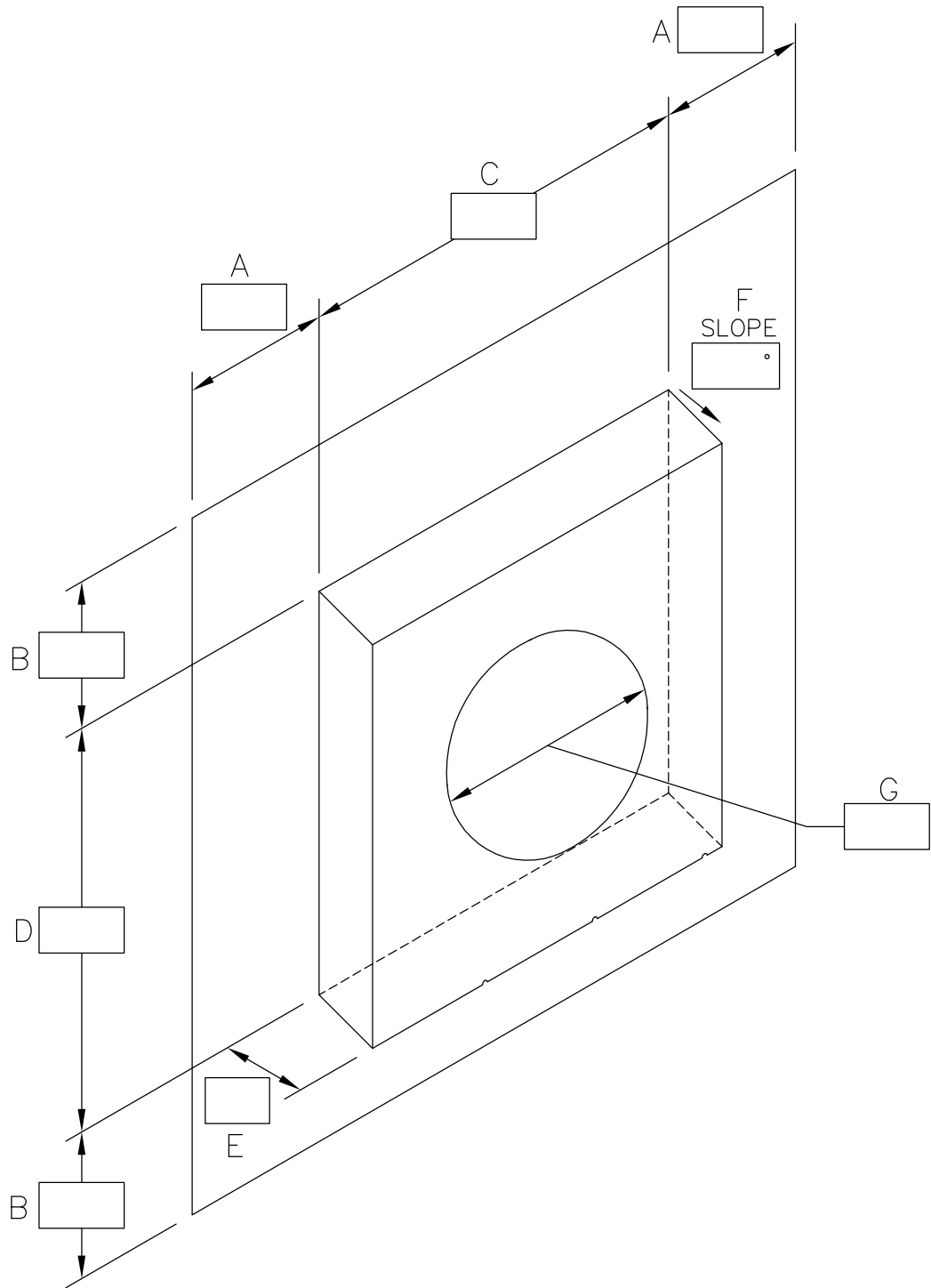
DRAWING #
VT-004-3h



CUSTOMER	
JOB	
ADDRESS	
CONTACT	PHONE
COLOR	
STAINLESS #2 <input type="checkbox"/>	STAINLESS #4 <input type="checkbox"/>
GALVANIZED <input type="checkbox"/>	PRE-PRIMED <input type="checkbox"/>
COPPER 16 OZ. <input type="checkbox"/>	COPPER 20 OZ. <input type="checkbox"/>
GAUGE 22 <input type="checkbox"/>	24 <input type="checkbox"/>
26 <input type="checkbox"/>	
QUANTITY	

FAST FLASHINGS
www.fastflashings.com
 Kirkland 425-427-8367 Seattle 206-364-3612

TYPE		
DRAWN BY	DATE	SCALE FACTOR
DRAWING #		
VT-005-4''		



CUSTOMER	
JOB	
ADDRESS	
CONTACT	PHONE
COLOR	
STAINLESS #2 <input type="checkbox"/>	STAINLESS #4 <input type="checkbox"/>
GALVANIZED <input type="checkbox"/>	PRE-PRIMED <input type="checkbox"/>
COPPER 16 OZ. <input type="checkbox"/>	COPPER 20 OZ. <input type="checkbox"/>
GAUGE 22 <input type="checkbox"/>	24 <input type="checkbox"/>
26 <input type="checkbox"/>	
QUANTITY	

FAST FLASHINGS
www.fastflashings.com

Kirkland 425-427-8367 Seattle 206-364-3612

TYPE

DRAWN BY	DATE	SCALE FACTOR
----------	------	--------------

DRAWING #
VT-005-6''