

CAP-001

CAP-002

CAP-003

CAP-004

CAP-005

CAP-006

CAP-007

CAP-008

CAP-009

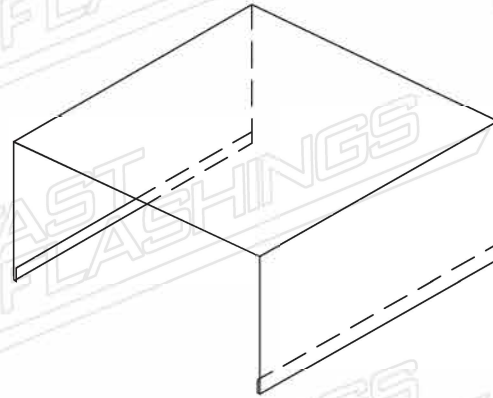
CAP-010

FAST FLASHINGS
 www.fastflashings.com
 Kirkland 425-827-8367 Seattle 206-364-3612

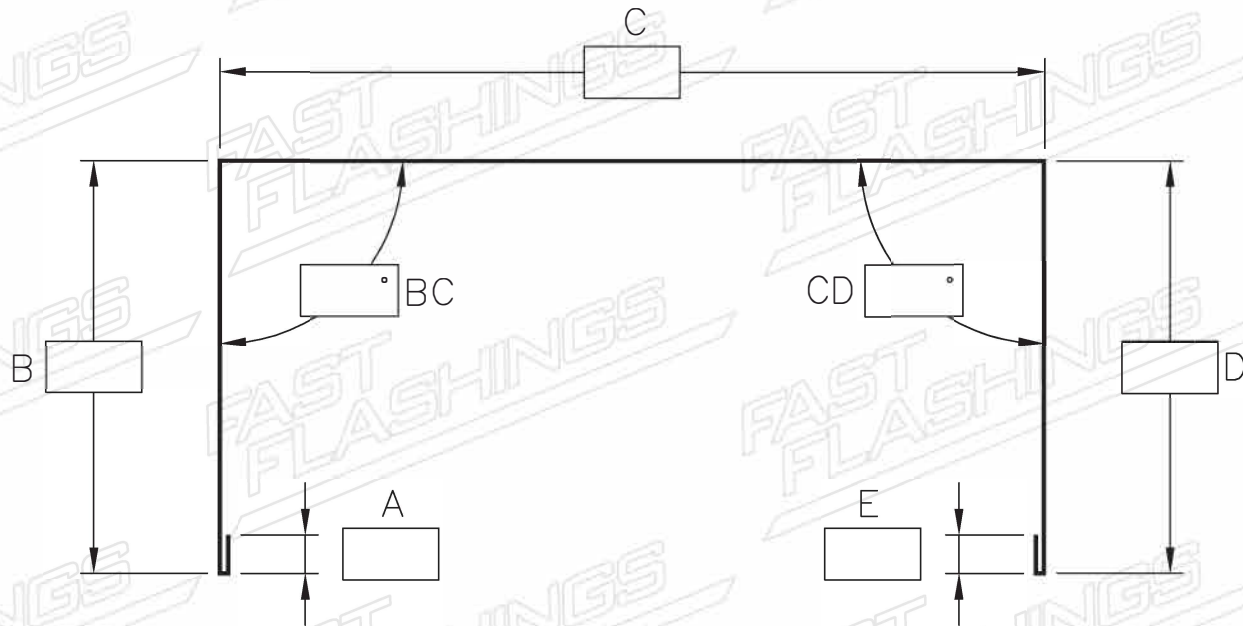
DRAWN BY	DATE	SCALE FACTOR

DRAWING #
CAP-LEGEND-1

CAP-001 - CAP-010



CUSTOMER	
JOB	
ADDRESS	
CONTACT	PHONE
COLOR	
STAINLESS #2 <input type="checkbox"/>	STAINLESS #4 <input type="checkbox"/>
GALVANIZED <input type="checkbox"/>	PRE-PRIMED <input type="checkbox"/>
COPPER 16 OZ. <input type="checkbox"/>	COPPER 20 OZ. <input type="checkbox"/>
GAUGE 22 <input type="checkbox"/>	24 <input type="checkbox"/> 26 <input type="checkbox"/>
QUANTITY	

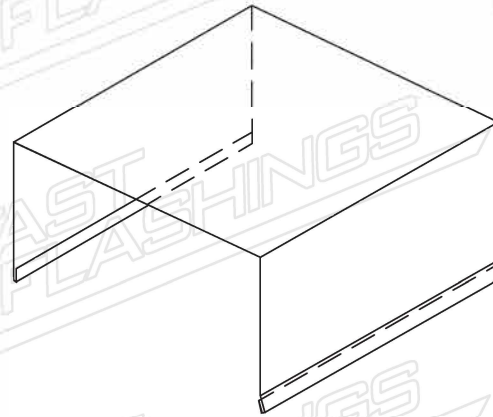


**FAST
FLASHINGS**

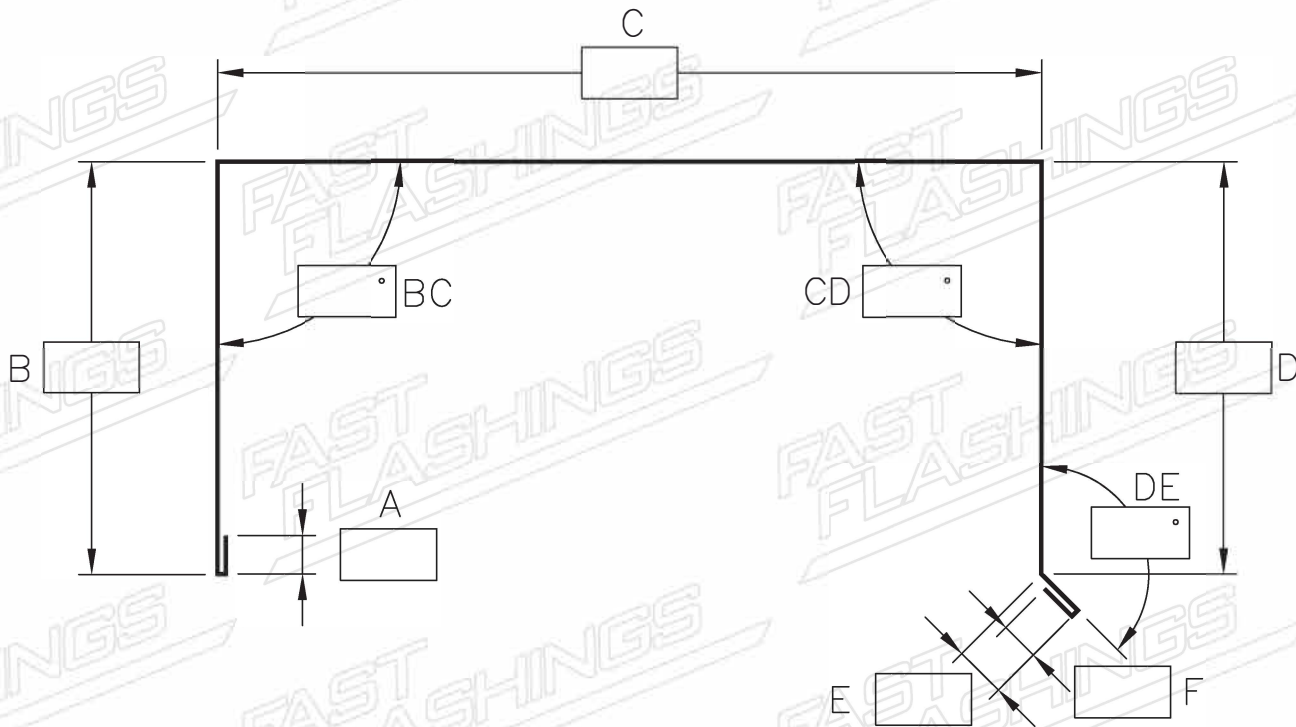
www.fastflashings.com

Kirkland 425-827-8367 Seattle 206-364-3612

TYPE		
DRAWN BY	DATE	SCALE FACTOR
DRAWING #		
CAP-001		



CUSTOMER	
JOB	
ADDRESS	
CONTACT	PHONE
COLOR	
STAINLESS #2 <input type="checkbox"/>	STAINLESS #4 <input type="checkbox"/>
GALVANIZED <input type="checkbox"/>	PRE-PRIMED <input type="checkbox"/>
COPPER 16 OZ. <input type="checkbox"/>	COPPER 20 OZ. <input type="checkbox"/>
GAUGE 22 <input type="checkbox"/>	24 <input type="checkbox"/> 26 <input type="checkbox"/>
QUANTITY	

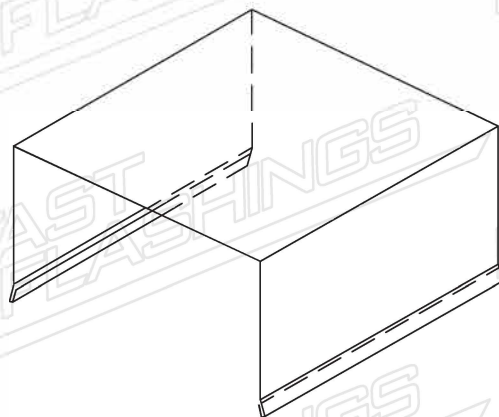


**FAST
FLASHINGS**

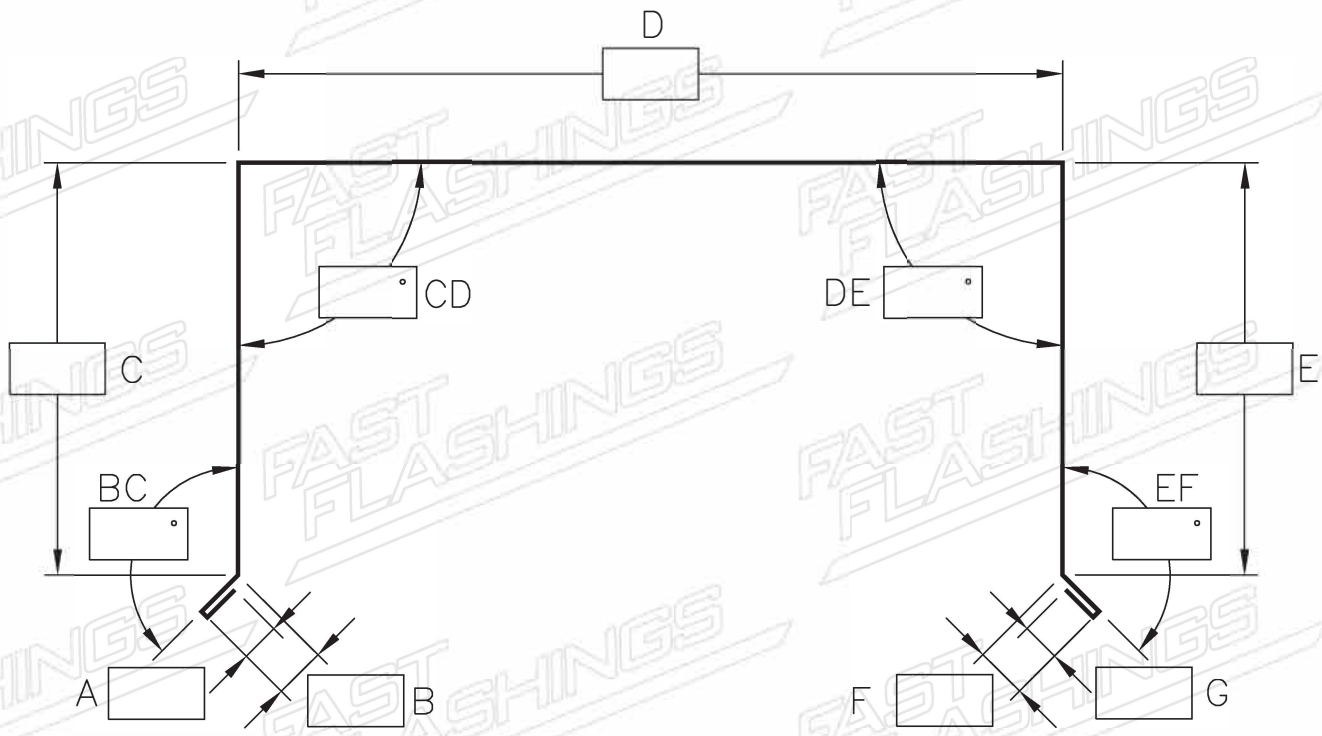
www.fastflashings.com

Kirkland 425-827-8367 Seattle 206-364-3612

TYPE		
DRAWN BY	DATE	SCALE FACTOR
DRAWING #		
CAP-002		



CUSTOMER	
JOB	
ADDRESS	
CONTACT	PHONE
COLOR	
STAINLESS #2 <input type="checkbox"/>	STAINLESS #4 <input type="checkbox"/>
GALVANIZED <input type="checkbox"/>	PRE-PRIMED <input type="checkbox"/>
COPPER 16 OZ. <input type="checkbox"/>	COPPER 20 OZ. <input type="checkbox"/>
GAUGE 22 <input type="checkbox"/>	24 <input type="checkbox"/> 26 <input type="checkbox"/>
QUANTITY	



FAST FLASHINGS

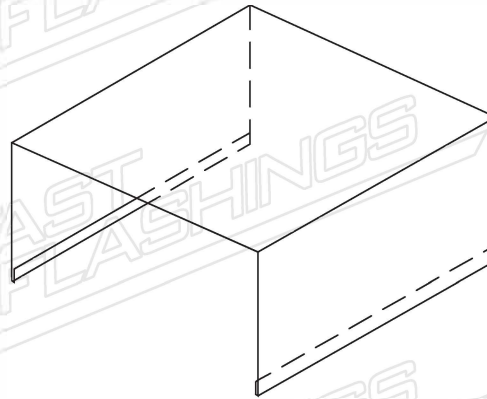
www.fastflashings.com

Kirkland 425-827-8367 Seattle 206-364-3612

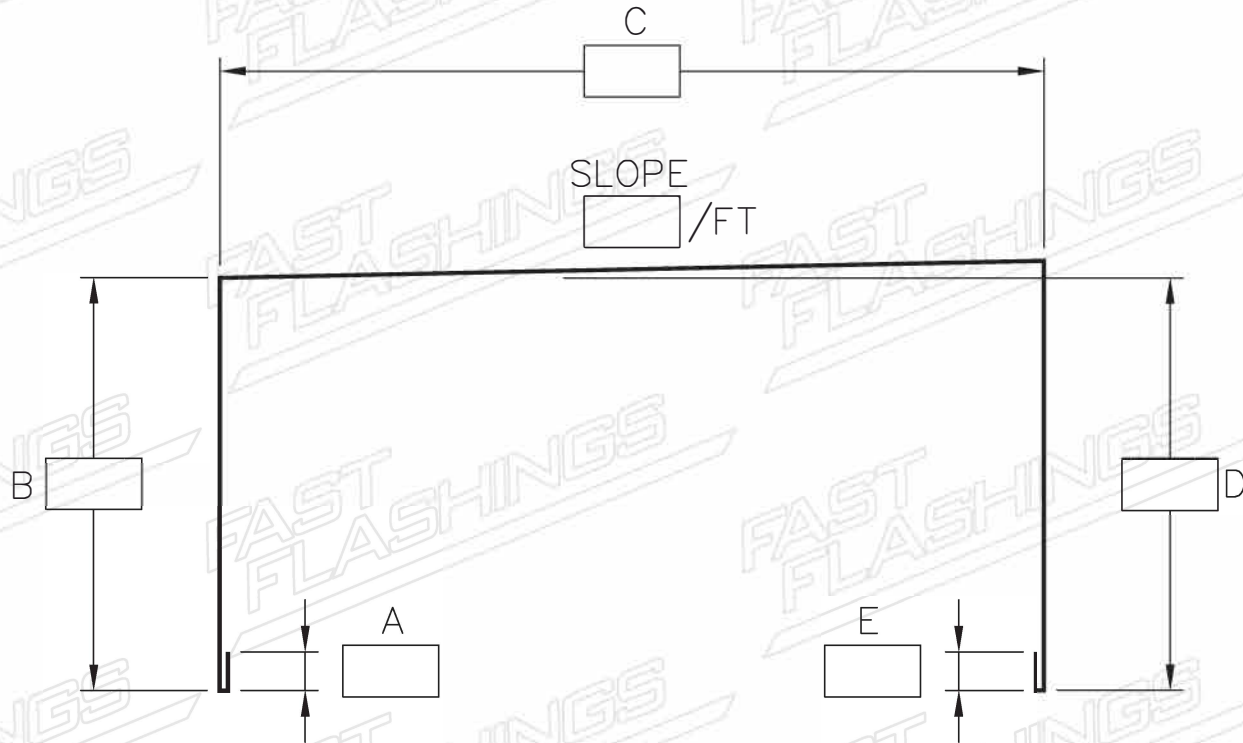
TYPE

DRAWN BY _____ DATE _____ SCALE FACTOR _____

DRAWING #
CAP-003



CUSTOMER	
JOB	
ADDRESS	
CONTACT	PHONE
COLOR	
STAINLESS #2 <input type="checkbox"/>	STAINLESS #4 <input type="checkbox"/>
GALVANIZED <input type="checkbox"/>	PRE-PRIMED <input type="checkbox"/>
COPPER 16 OZ. <input type="checkbox"/>	COPPER 20 OZ. <input type="checkbox"/>
GAUGE 22 <input type="checkbox"/>	24 <input type="checkbox"/> 26 <input type="checkbox"/>
QUANTITY	



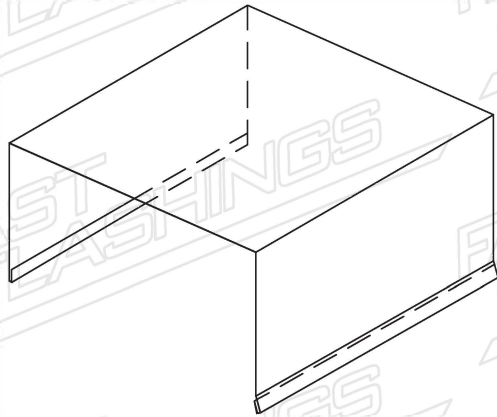
FAST FLASHINGS
www.fastflashings.com

Kirkland 425-827-8367 Seattle 206-364-3612

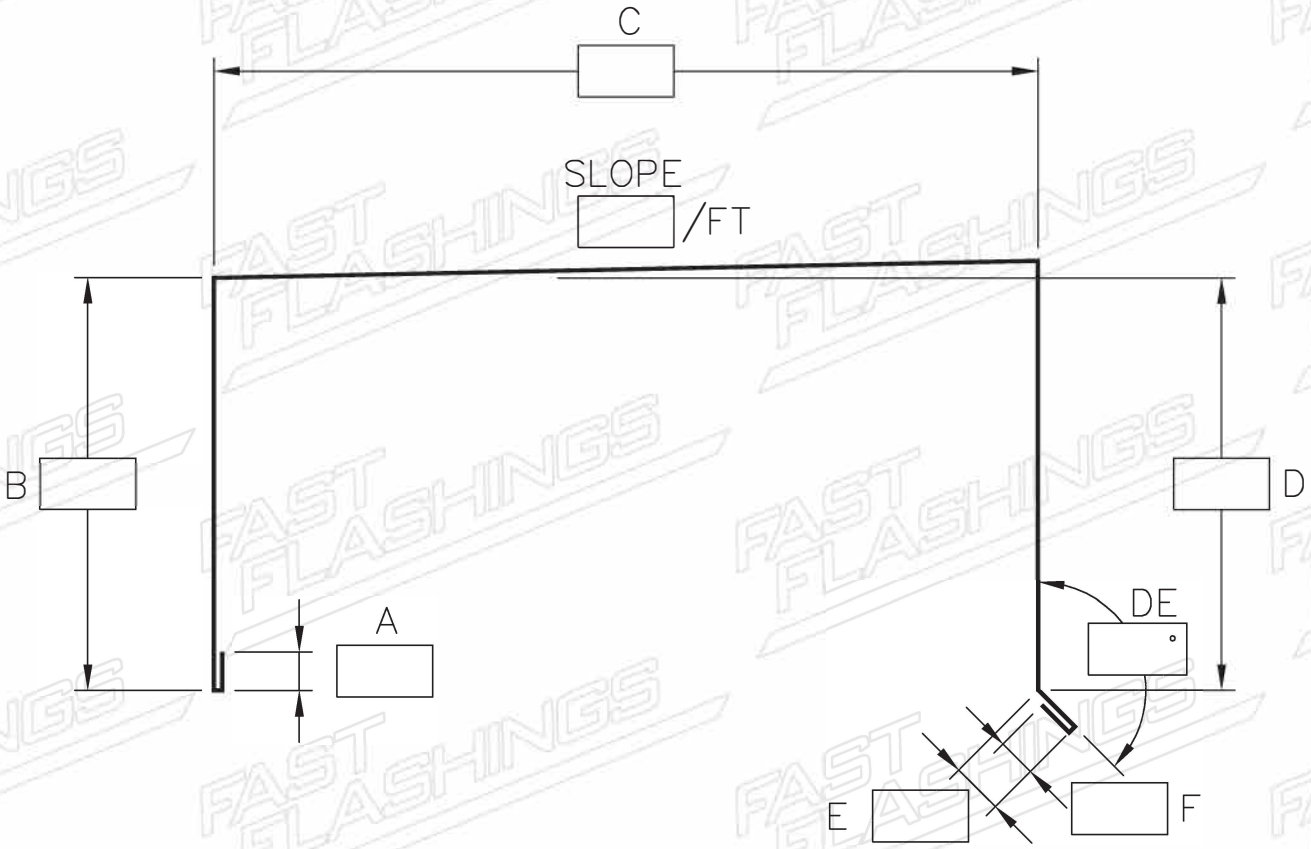
TYPE

DRAWN BY	DATE	SCALE FACTOR
----------	------	--------------

DRAWING #
CAP-004



CUSTOMER	
JOB	
ADDRESS	
CONTACT	PHONE
COLOR	
STAINLESS #2 <input type="checkbox"/>	STAINLESS #4 <input type="checkbox"/>
GALVANIZED <input type="checkbox"/>	PRE-PRIMED <input type="checkbox"/>
COPPER 16 OZ. <input type="checkbox"/>	COPPER 20 OZ. <input type="checkbox"/>
GAUGE 22 <input type="checkbox"/>	24 <input type="checkbox"/> 26 <input type="checkbox"/>
QUANTITY	



FAST FLASHINGS
www.fastflashings.com

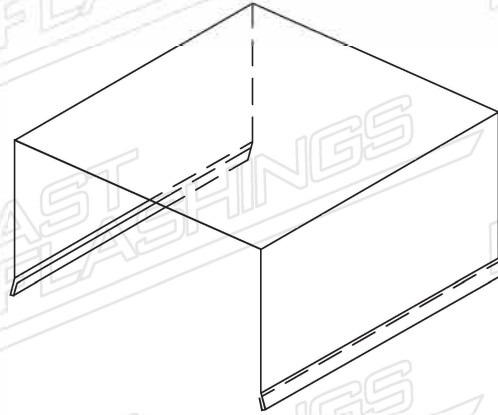
Kirkland 425-827-8367 Seattle 206-364-3612

TYPE

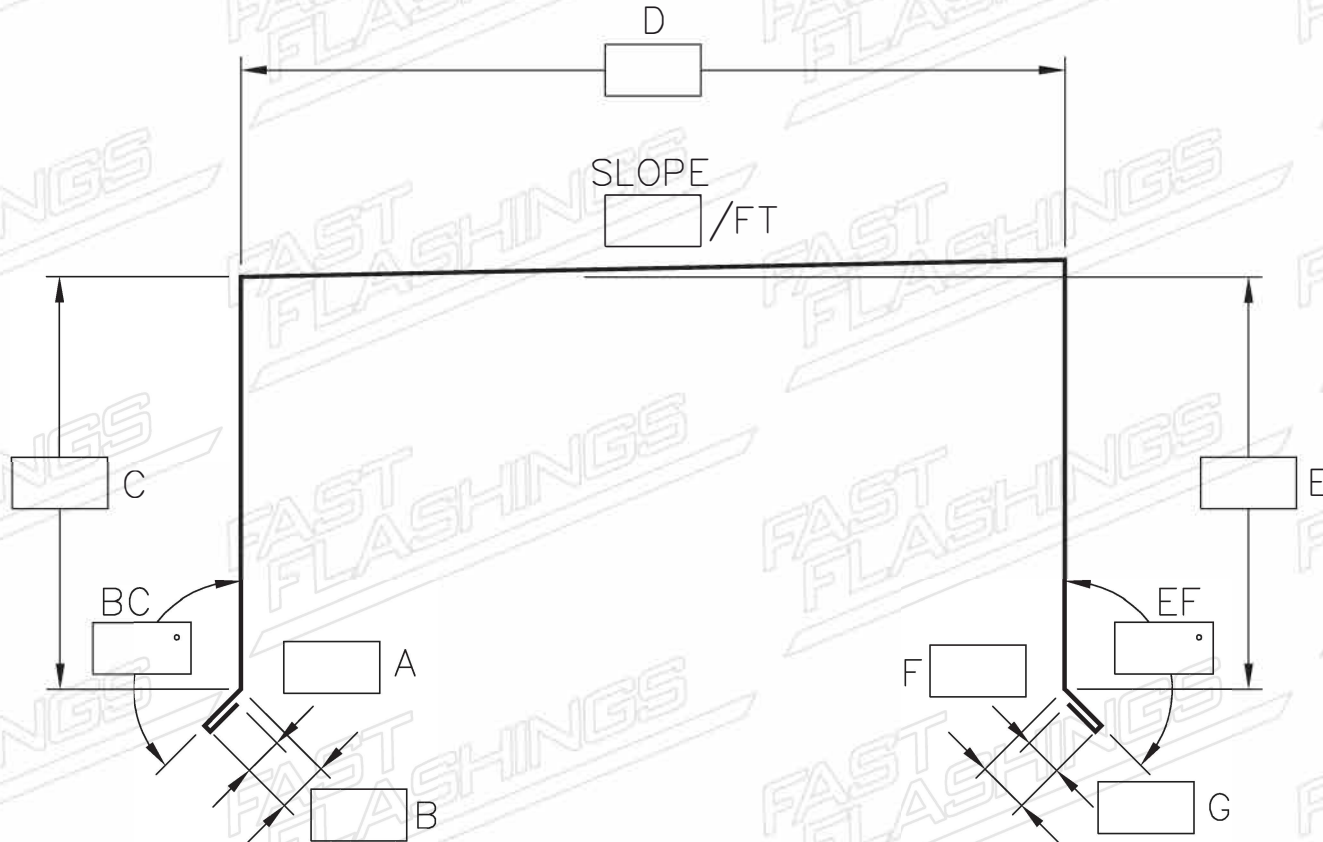
DRAWN BY	DATE	SCALE FACTOR
----------	------	--------------

DRAWING #

CAP-005



CUSTOMER	
JOB	
ADDRESS	
CONTACT	PHONE
COLOR	
STAINLESS #2 <input type="checkbox"/>	STAINLESS #4 <input type="checkbox"/>
GALVANIZED <input type="checkbox"/>	PRE-PRIMED <input type="checkbox"/>
COPPER 16 OZ. <input type="checkbox"/>	COPPER 20 OZ. <input type="checkbox"/>
GAUGE 22 <input type="checkbox"/>	24 <input type="checkbox"/> 26 <input type="checkbox"/>
QUANTITY	

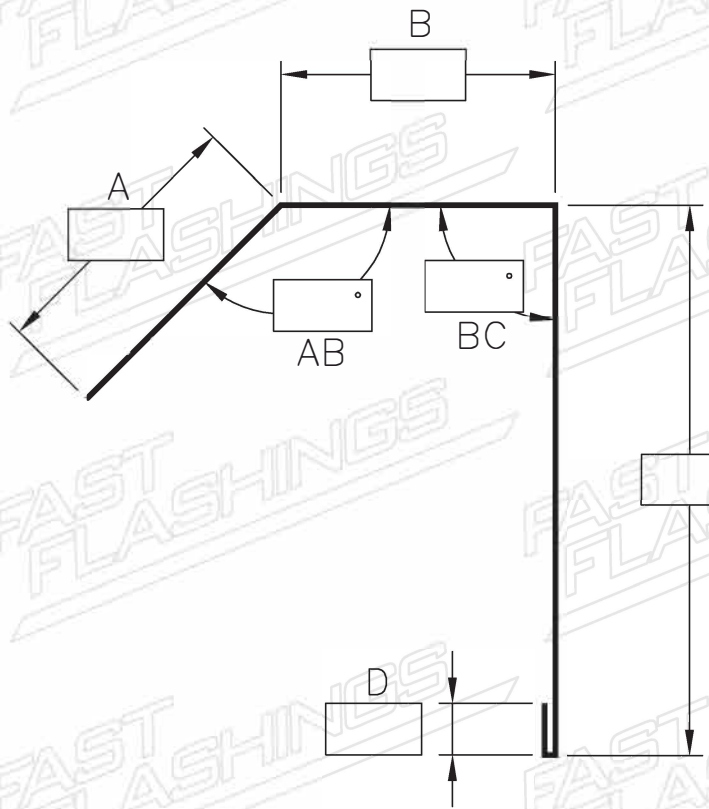


FAST FLASHINGS

www.fastflashings.com

Kirkland 425-827-8367 Seattle 206-364-3612

TYPE		
DRAWN BY	DATE	SCALE FACTOR
DRAWING #		
CAP-006		



CUSTOMER	
JOB	
ADDRESS	
CONTACT	PHONE
COLOR	
STAINLESS #2 <input type="checkbox"/>	STAINLESS #4 <input type="checkbox"/>
GALVANIZED <input type="checkbox"/>	PRE-PRIMED <input type="checkbox"/>
COPPER 16 OZ. <input type="checkbox"/>	COPPER 20 OZ. <input type="checkbox"/>
GAUGE 22 <input type="checkbox"/>	24 <input type="checkbox"/> 26 <input type="checkbox"/>
QUANTITY	

FAST FLASHINGS
www.fastflashings.com

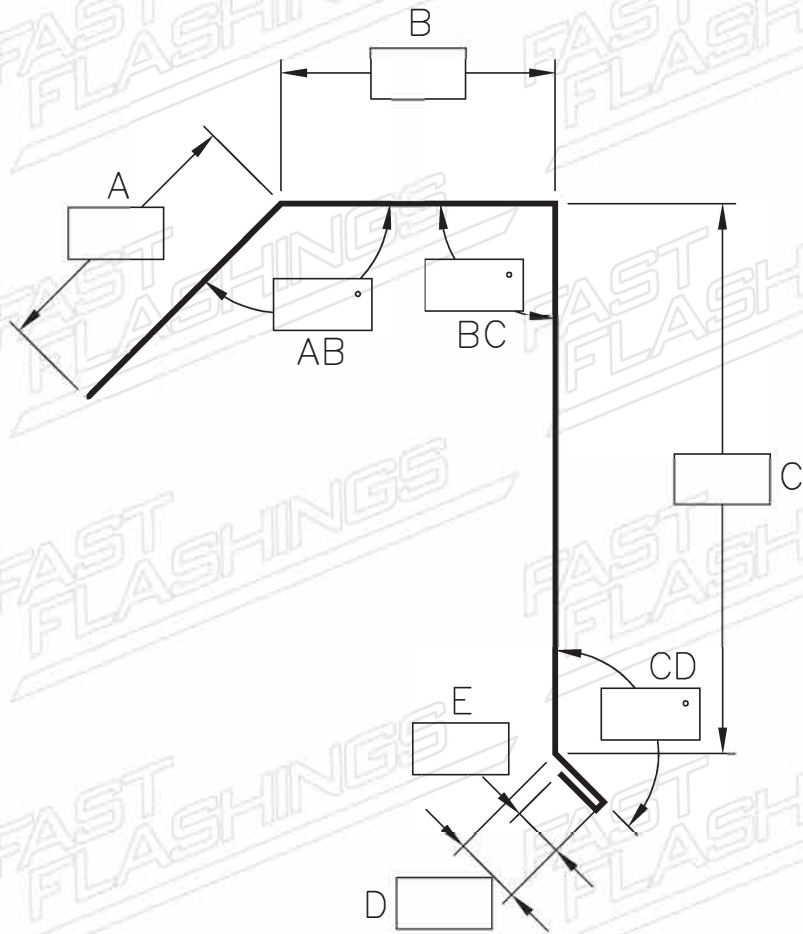
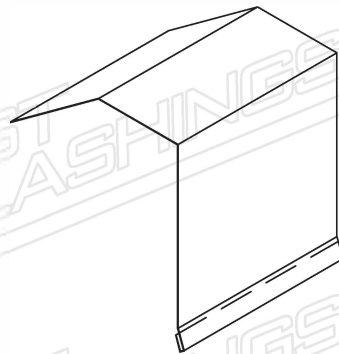
Kirkland 425-827-8367 Seattle 206-364-3612

TYPE

DRAWN BY _____ DATE _____ SCALE FACTOR _____

DRAWING #
CAP-007

CUSTOMER	
JOB	
ADDRESS	
CONTACT	PHONE
COLOR	
STAINLESS #2 <input type="checkbox"/>	STAINLESS #4 <input type="checkbox"/>
GALVANIZED <input type="checkbox"/>	PRE-PRIMED <input type="checkbox"/>
COPPER 16 OZ. <input type="checkbox"/>	COPPER 20 OZ. <input type="checkbox"/>
GAUGE 22 <input type="checkbox"/>	24 <input type="checkbox"/> 26 <input type="checkbox"/>
QUANTITY	



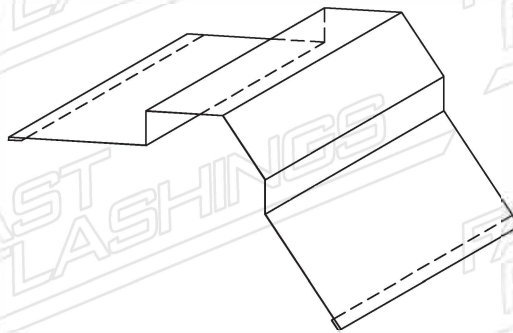
FAST FLASHINGS
www.fastflashings.com

Kirkland 425-827-8367 Seattle 206-364-3612

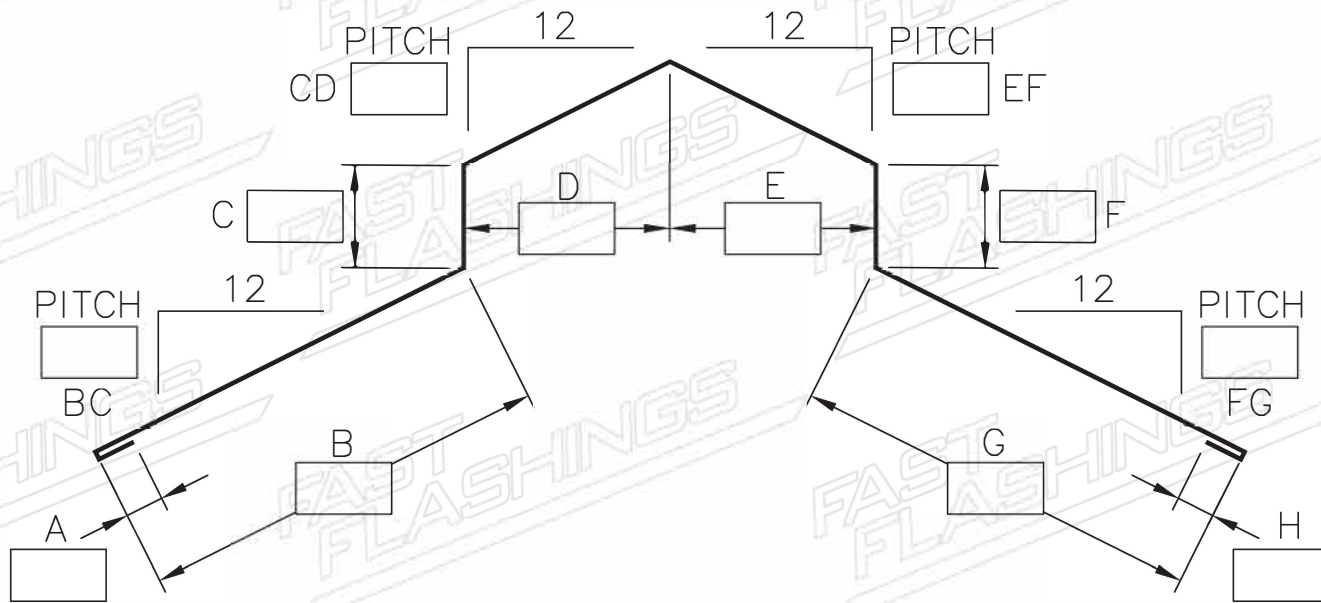
TYPE

DRAWN BY	DATE	SCALE FACTOR
----------	------	--------------

DRAWING #
CAP-008



CUSTOMER	
JOB	
ADDRESS	
CONTACT	PHONE
COLOR	
STAINLESS #2 <input type="checkbox"/>	STAINLESS #4 <input type="checkbox"/>
GALVANIZED <input type="checkbox"/>	PRE-PRIMED <input type="checkbox"/>
COPPER 16 OZ. <input type="checkbox"/>	COPPER 20 OZ. <input type="checkbox"/>
GAUGE 22 <input type="checkbox"/>	24 <input type="checkbox"/> 26 <input type="checkbox"/>
QUANTITY	

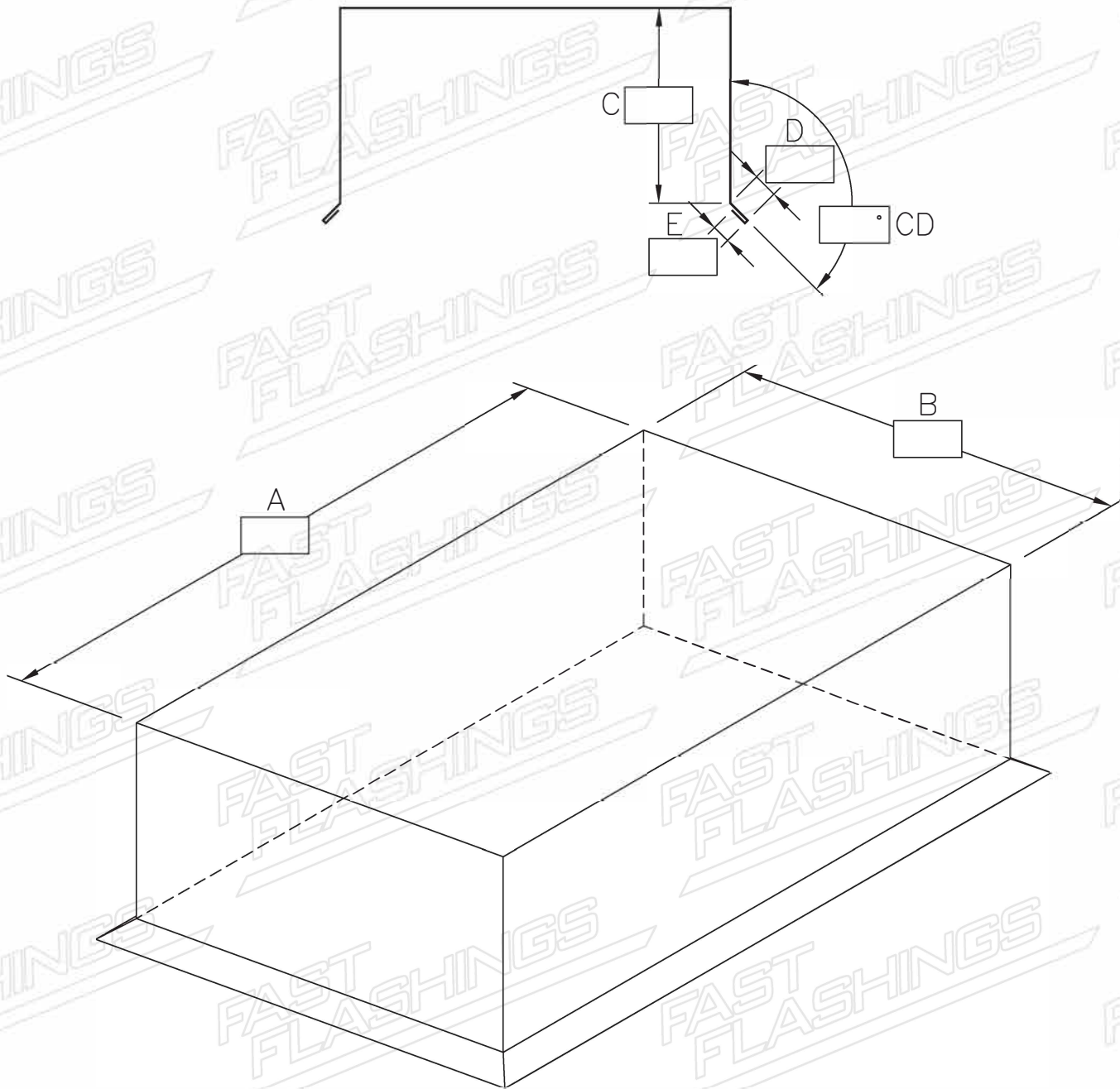


FAST FLASHINGS

www.fastflashings.com

Kirkland 425-827-8367 Seattle 206-364-3612

TYPE		
DRAWN BY	DATE	SCALE FACTOR
DRAWING #		
CAP-009		



CUSTOMER	
JOB	
ADDRESS	
CONTACT	PHONE
COLOR	
STAINLESS #2 <input type="checkbox"/>	STAINLESS #4 <input type="checkbox"/>
GALVANIZED <input type="checkbox"/>	PRE-PRIMED <input type="checkbox"/>
COPPER 16 OZ. <input type="checkbox"/>	COPPER 20 OZ. <input type="checkbox"/>
GAUGE 22 <input type="checkbox"/>	24 <input type="checkbox"/> 26 <input type="checkbox"/>
QUANTITY	

FAST FLASHINGS
www.fastflashings.com

Kirkland 425-827-8367 Seattle 206-364-3612

TYPE

DRAWN BY	DATE	SCALE FACTOR
----------	------	--------------

DRAWING #
CAP-010