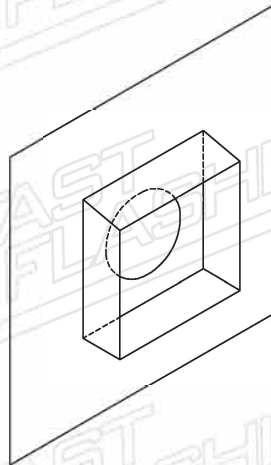
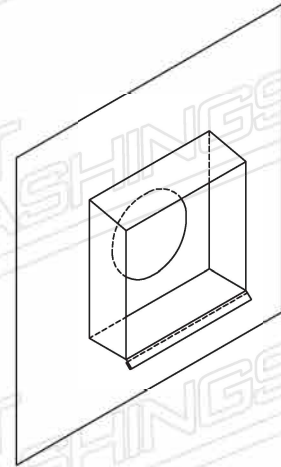


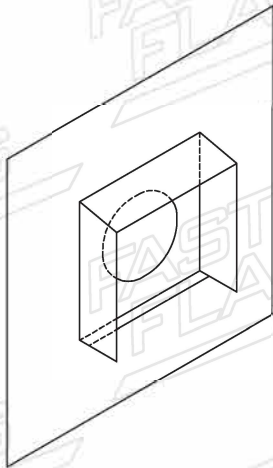
VT-001



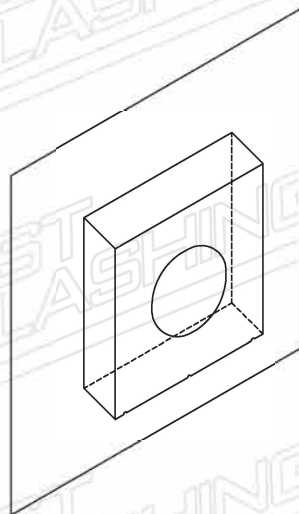
VT-002-4"
VT-002-3"
VT-002-2h
VT-002-3h



VT-003
VT-003-2h
VT-003-3h



VT-004
VT-004-2h
VT-004-3h



VT-005-4"
VT-005-6"

FAST FLASHINGS

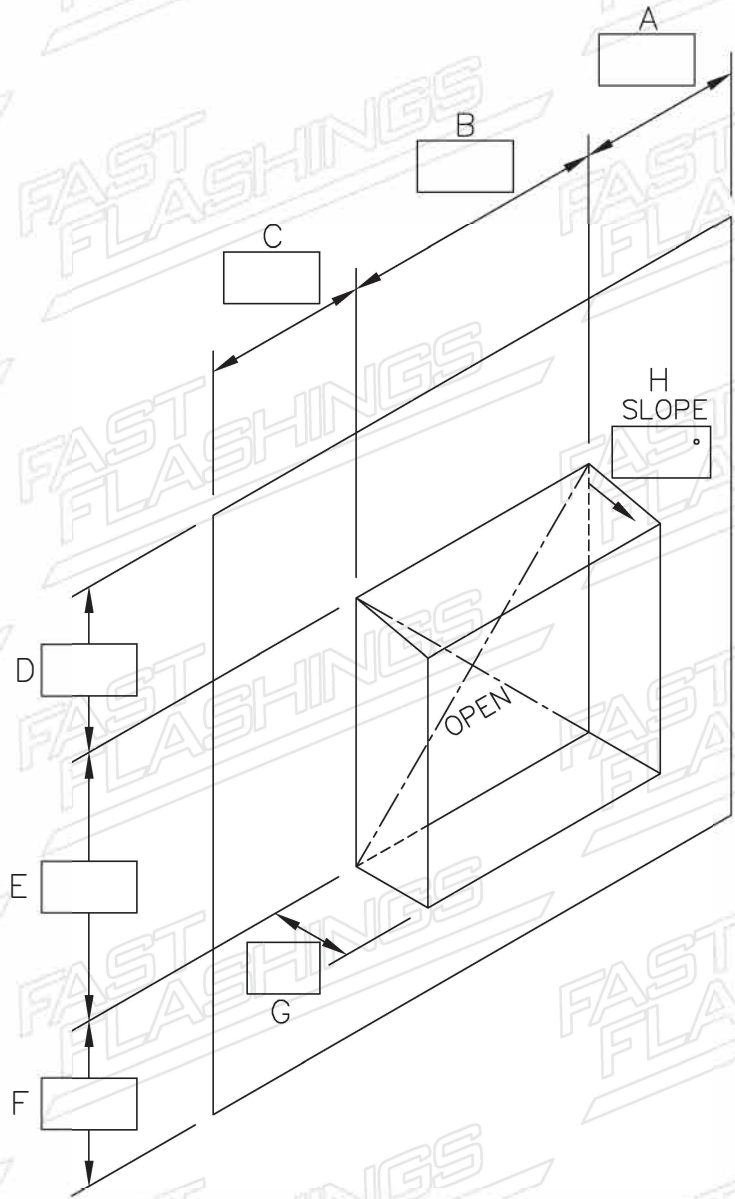
www.fastflashings.com

Kirkland 425-827-8367 Seattle 206-364-3612

DRAWN BY	DATE	SCALE FACTOR
----------	------	--------------

DRAWING #	VT-LEGEND-01
-----------	--------------

VT-001 - VT-005



CUSTOMER	
JOB	
ADDRESS	
CONTACT	PHONE
COLOR	
STAINLESS #2 <input type="checkbox"/>	STAINLESS #4 <input type="checkbox"/>
GALVANIZED <input type="checkbox"/>	PRE-PRIMED <input type="checkbox"/>
COPPER 16 OZ. <input type="checkbox"/>	COPPER 20 OZ. <input type="checkbox"/>
GAUGE 22 <input type="checkbox"/>	24 <input type="checkbox"/> 26 <input type="checkbox"/>
QUANTITY	

**FAST
FLASHINGS**
www.fastflashings.com

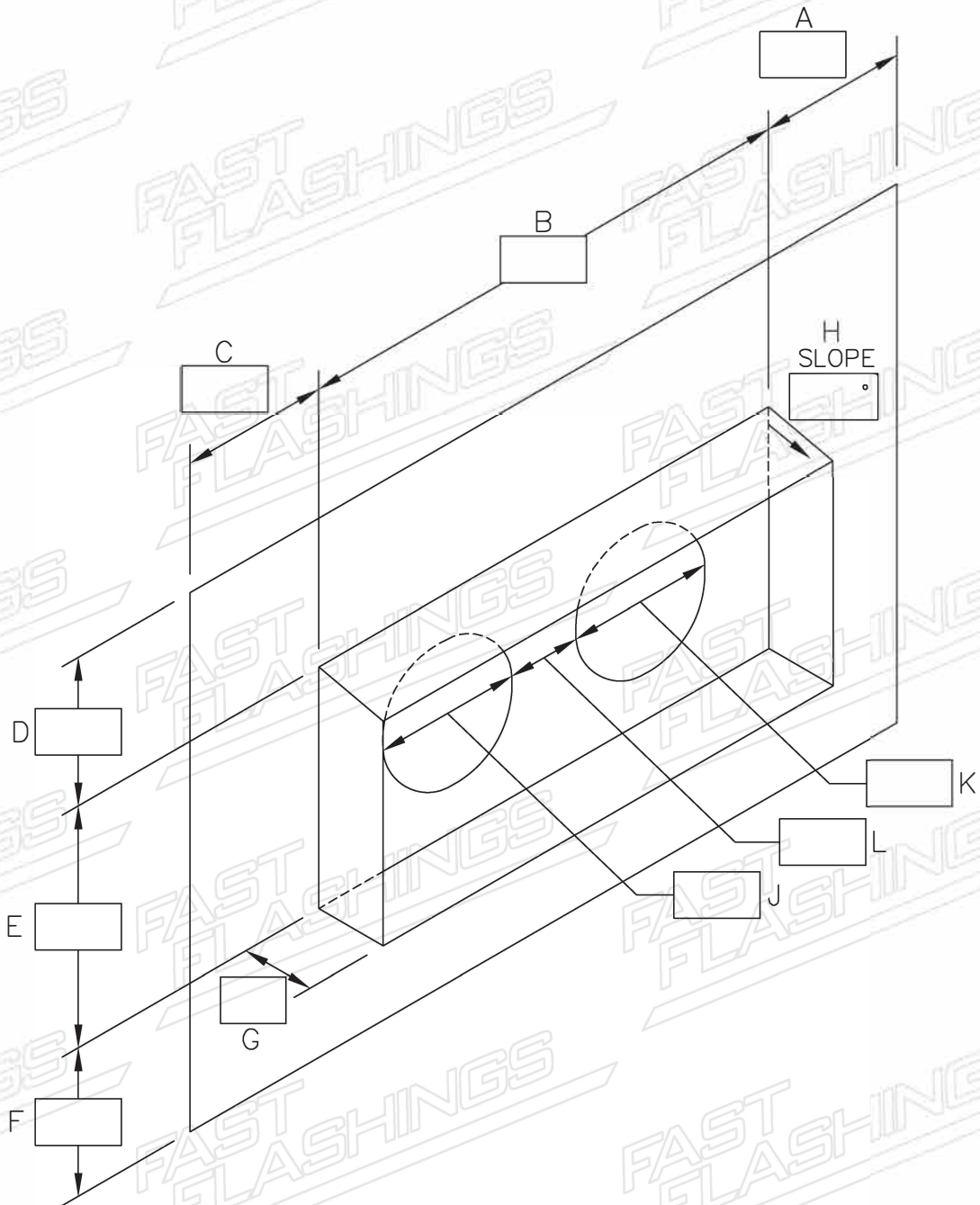
Kirkland 425-827-8367 Seattle 206-364-3612

TYPE

DRAWN BY DATE SCALE FACTOR

DRAWING #

VT-001

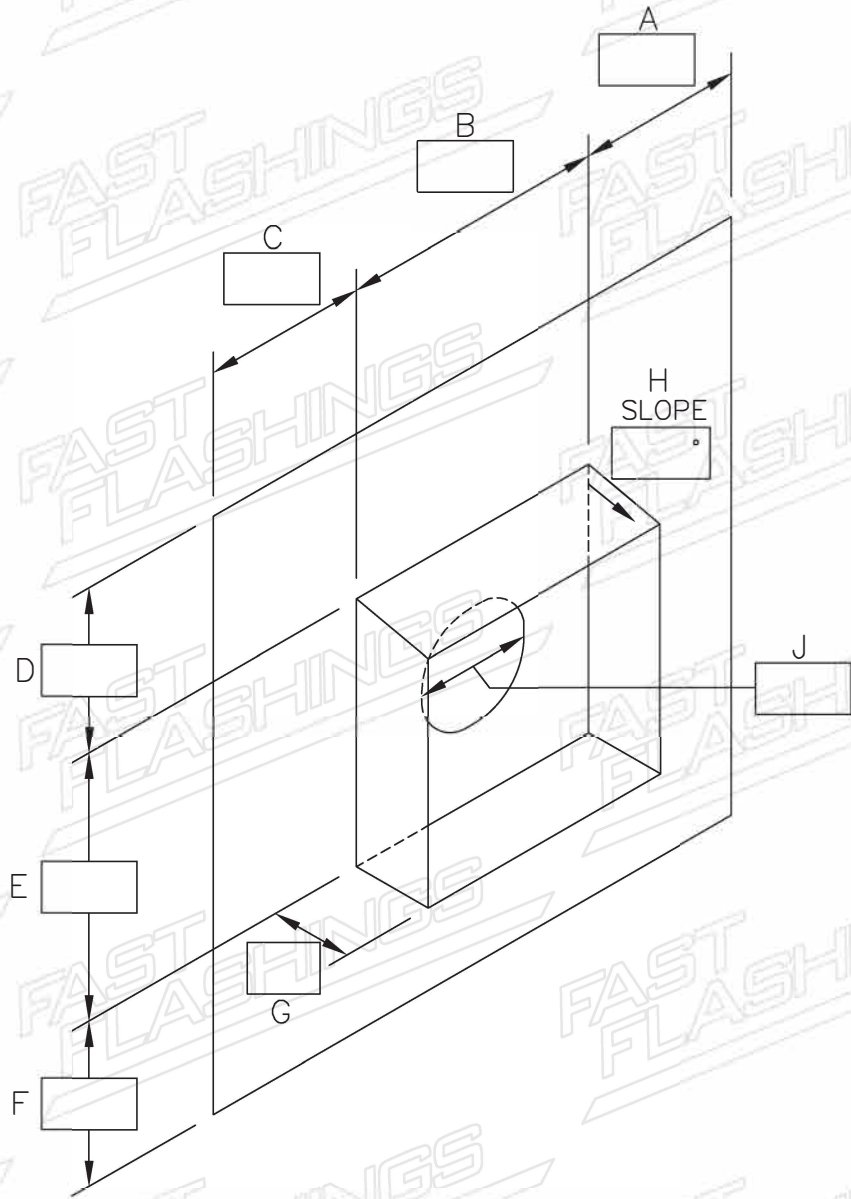


CUSTOMER	
JOB	
ADDRESS	
CONTACT	PHONE
COLOR	
STAINLESS #2 <input type="checkbox"/>	STAINLESS #4 <input type="checkbox"/>
GALVANIZED <input type="checkbox"/>	PRE-PRIMED <input type="checkbox"/>
COPPER 16 OZ. <input type="checkbox"/>	COPPER 20 OZ. <input type="checkbox"/>
GAUGE 22 <input type="checkbox"/>	24 <input type="checkbox"/> 26 <input type="checkbox"/>
QUANTITY	

FAST FLASHINGS
www.fastflashings.com

Kirkland 425-827-8367 Seattle 206-364-3612

TYPE		
DRAWN BY	DATE	SCALE FACTOR
DRAWING #		
VT-002-2h		



CUSTOMER	
JOB	
ADDRESS	
CONTACT	PHONE
COLOR	
STAINLESS #2 <input type="checkbox"/>	STAINLESS #4 <input type="checkbox"/>
GALVANIZED <input type="checkbox"/>	PRE-PRIMED <input type="checkbox"/>
COPPER 16 OZ. <input type="checkbox"/>	COPPER 20 OZ. <input type="checkbox"/>
GAUGE 22 <input type="checkbox"/>	24 <input type="checkbox"/> 26 <input type="checkbox"/>
QUANTITY	

FAST FLASHINGS
www.fastflashings.com

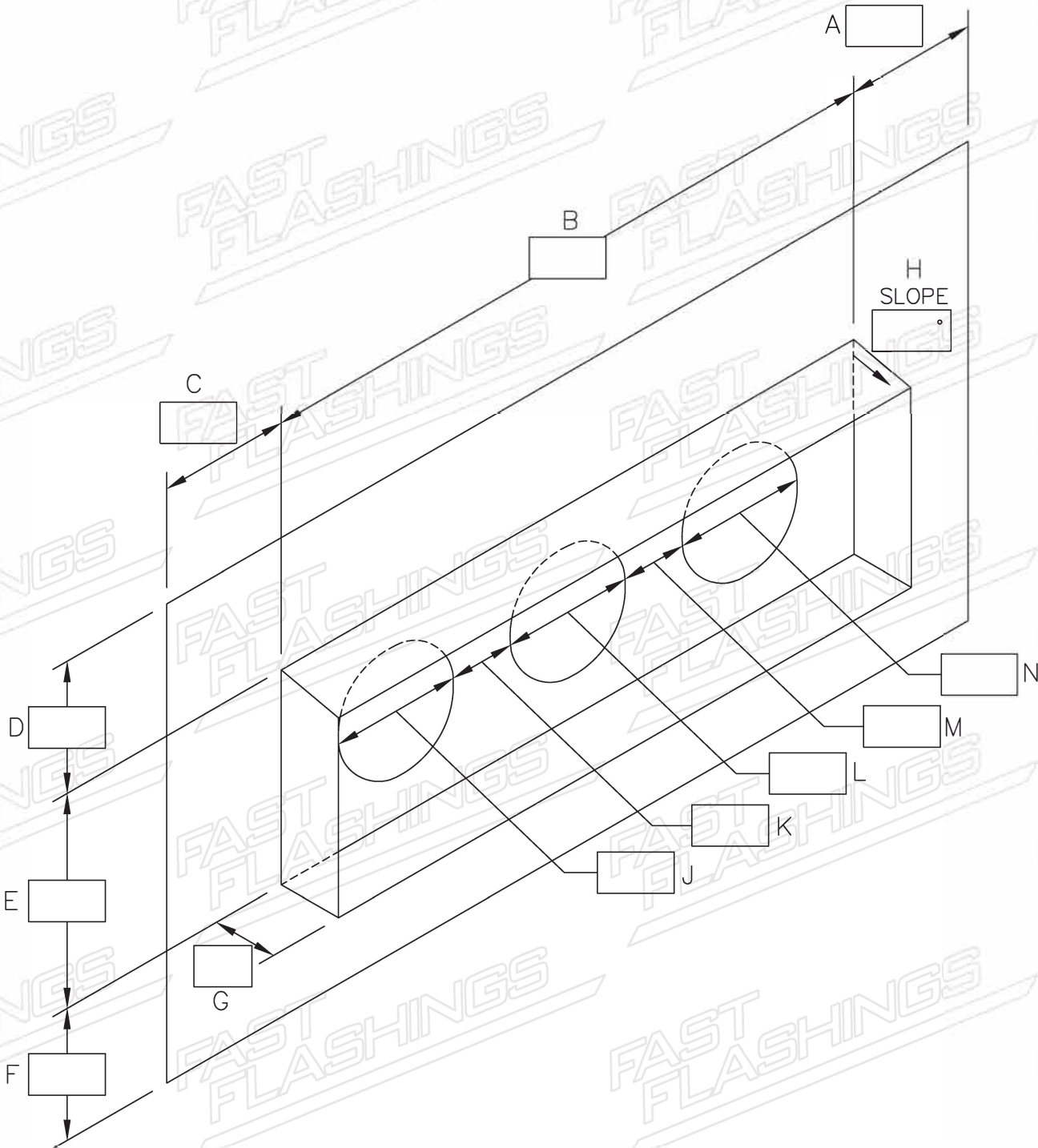
Kirkland 425-827-8367 Seattle 206-364-3612

TYPE

DRAWN BY DATE SCALE FACTOR

DRAWING #

VT-002-3''



CUSTOMER	
JOB	
ADDRESS	
CONTACT	PHONE
COLOR	
STAINLESS #2 <input type="checkbox"/>	STAINLESS #4 <input type="checkbox"/>
GALVANIZED <input type="checkbox"/>	PRE-PRIMED <input type="checkbox"/>
COPPER 16 OZ. <input type="checkbox"/>	COPPER 20 OZ. <input type="checkbox"/>
GAUGE 22 <input type="checkbox"/>	24 <input type="checkbox"/> 26 <input type="checkbox"/>
QUANTITY	

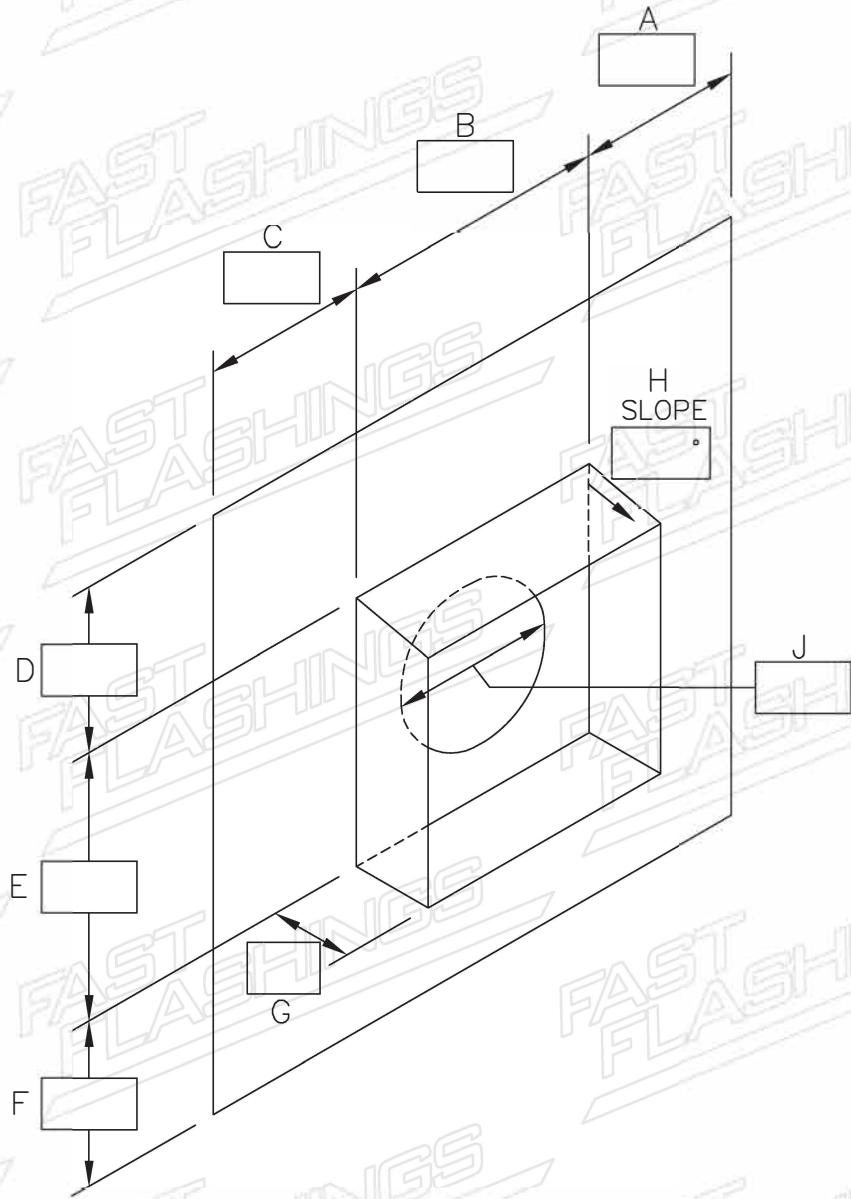
FAST FLASHINGS
www.fastflashings.com

Kirkland 425-827-8367 Seattle 206-364-3612

TYPE

DRAWN BY	DATE	SCALE FACTOR
----------	------	--------------

DRAWING #
VT-002-3h



CUSTOMER	
JOB	
ADDRESS	
CONTACT	PHONE
COLOR	
STAINLESS #2 <input type="checkbox"/>	STAINLESS #4 <input type="checkbox"/>
GALVANIZED <input type="checkbox"/>	PRE-PRIMED <input type="checkbox"/>
COPPER 16 OZ. <input type="checkbox"/>	COPPER 20 OZ. <input type="checkbox"/>
GAUGE 22 <input type="checkbox"/>	24 <input type="checkbox"/> 26 <input type="checkbox"/>
QUANTITY	

FAST FLASHINGS
www.fastflashings.com

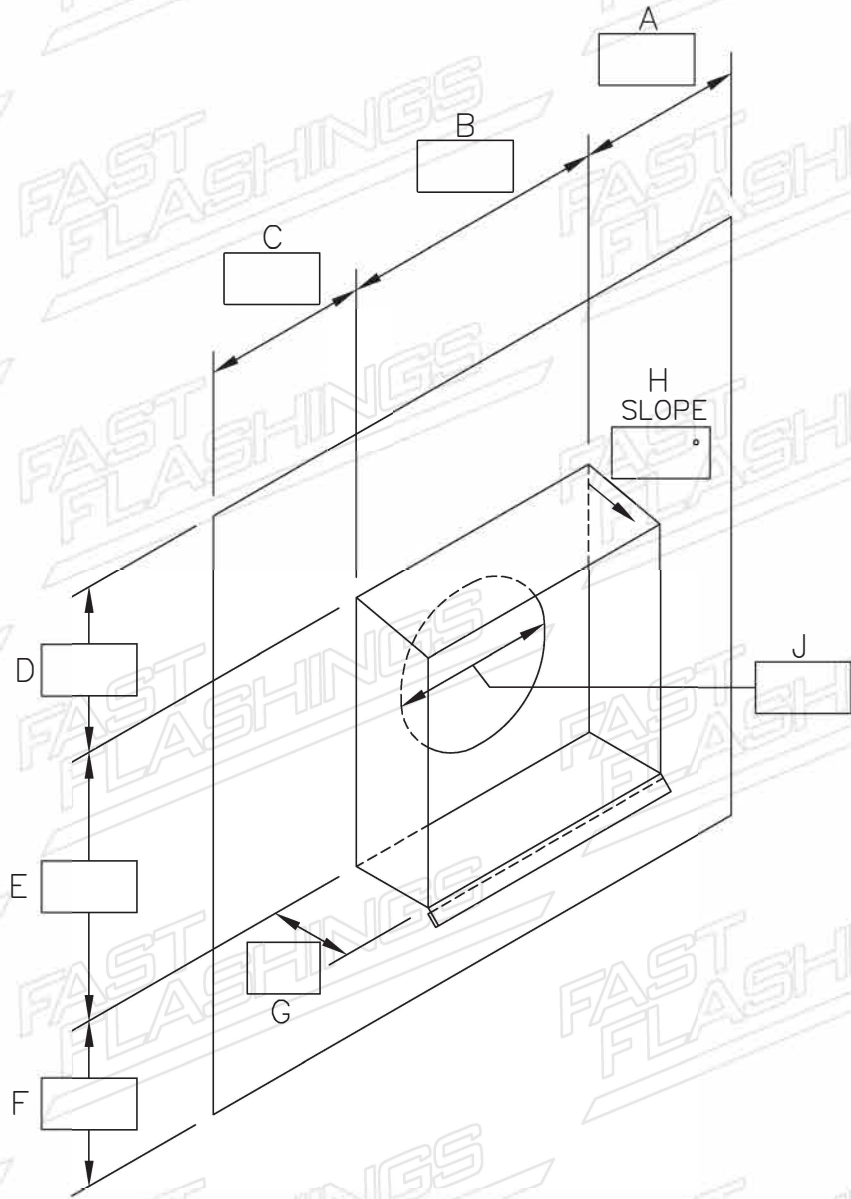
Kirkland 425-827-8367 Seattle 206-364-3612

TYPE

DRAWN BY DATE SCALE FACTOR

DRAWING #

VT-002-4''



CUSTOMER	
JOB	
ADDRESS	
CONTACT	PHONE
COLOR	
STAINLESS #2 <input type="checkbox"/>	STAINLESS #4 <input type="checkbox"/>
GALVANIZED <input type="checkbox"/>	PRE-PRIMED <input type="checkbox"/>
COPPER 16 OZ. <input type="checkbox"/>	COPPER 20 OZ. <input type="checkbox"/>
GAUGE 22 <input type="checkbox"/>	24 <input type="checkbox"/> 26 <input type="checkbox"/>
QUANTITY	

FAST FLASHINGS
www.fastflashings.com

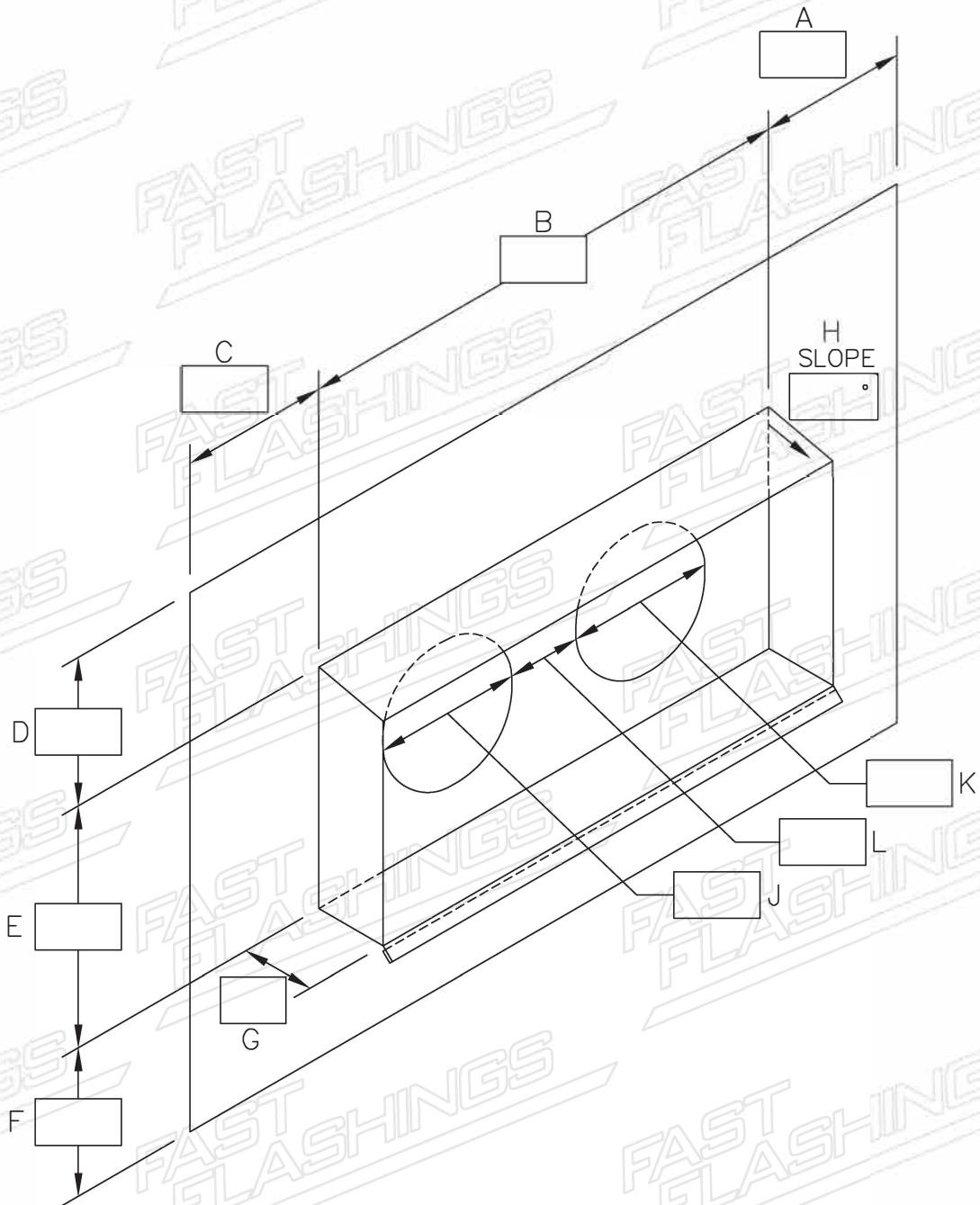
Kirkland 425-827-8367 Seattle 206-364-3612

TYPE

DRAWN BY DATE SCALE FACTOR

DRAWING #

VT-003



CUSTOMER	
JOB	
ADDRESS	
CONTACT	PHONE
COLOR	
STAINLESS #2 <input type="checkbox"/>	STAINLESS #4 <input type="checkbox"/>
GALVANIZED <input type="checkbox"/>	PRE-PRIMED <input type="checkbox"/>
COPPER 16 OZ. <input type="checkbox"/>	COPPER 20 OZ. <input type="checkbox"/>
GAUGE 22 <input type="checkbox"/>	24 <input type="checkbox"/> 26 <input type="checkbox"/>
QUANTITY	

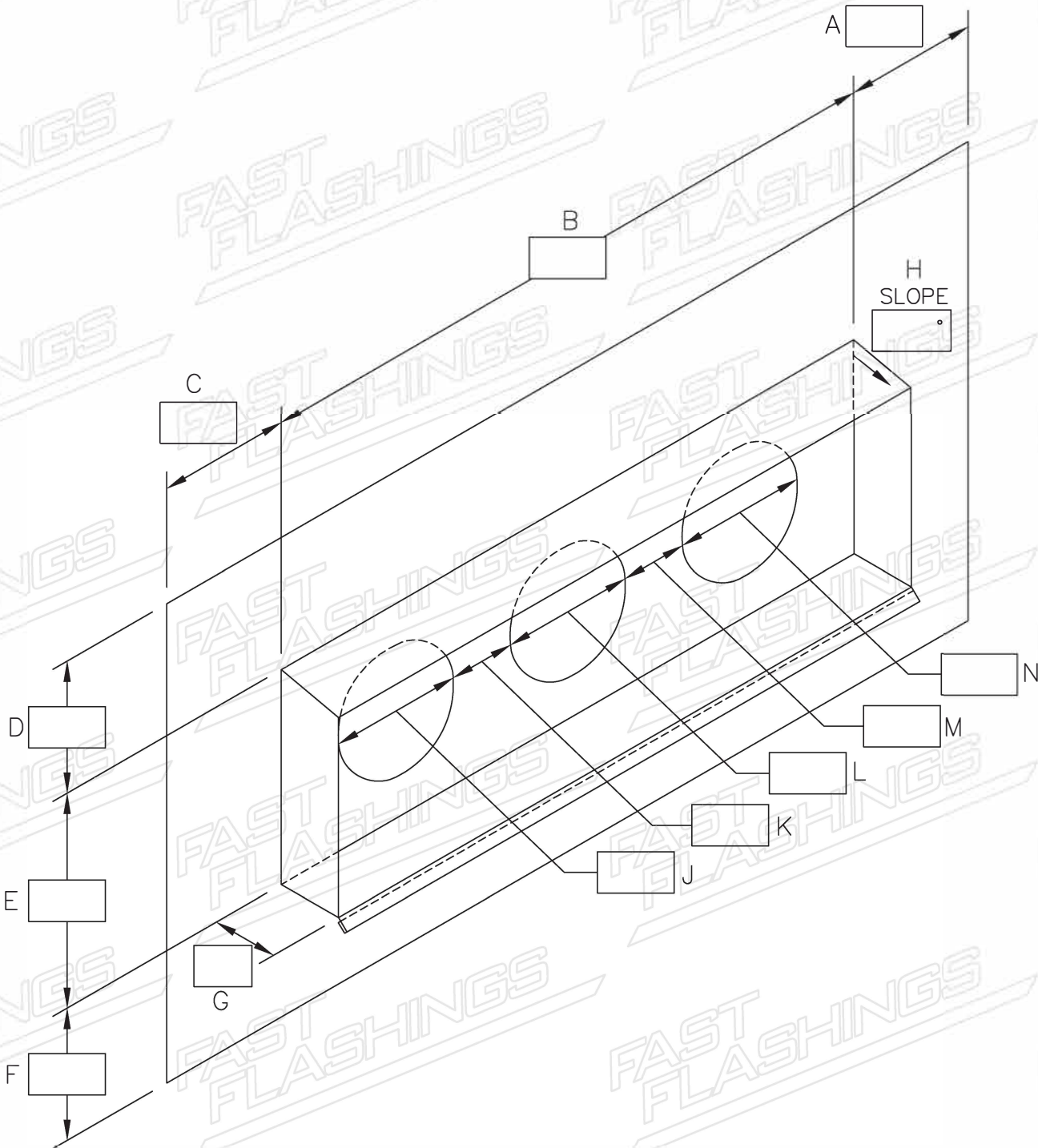
FAST FLASHINGS
www.fastflashings.com

Kirkland 425-827-8367 Seattle 206-364-3612

TYPE

DRAWN BY	DATE	SCALE FACTOR
----------	------	--------------

DRAWING #
VT-003-2h



CUSTOMER	
JOB	
ADDRESS	
CONTACT	PHONE
COLOR	
STAINLESS #2 <input type="checkbox"/>	STAINLESS #4 <input type="checkbox"/>
GALVANIZED <input type="checkbox"/>	PRE-PRIMED <input type="checkbox"/>
COPPER 16 OZ. <input type="checkbox"/>	COPPER 20 OZ. <input type="checkbox"/>
GAUGE 22 <input type="checkbox"/>	24 <input type="checkbox"/> 26 <input type="checkbox"/>
QUANTITY	

FAST FLASHINGS
www.fastflashings.com

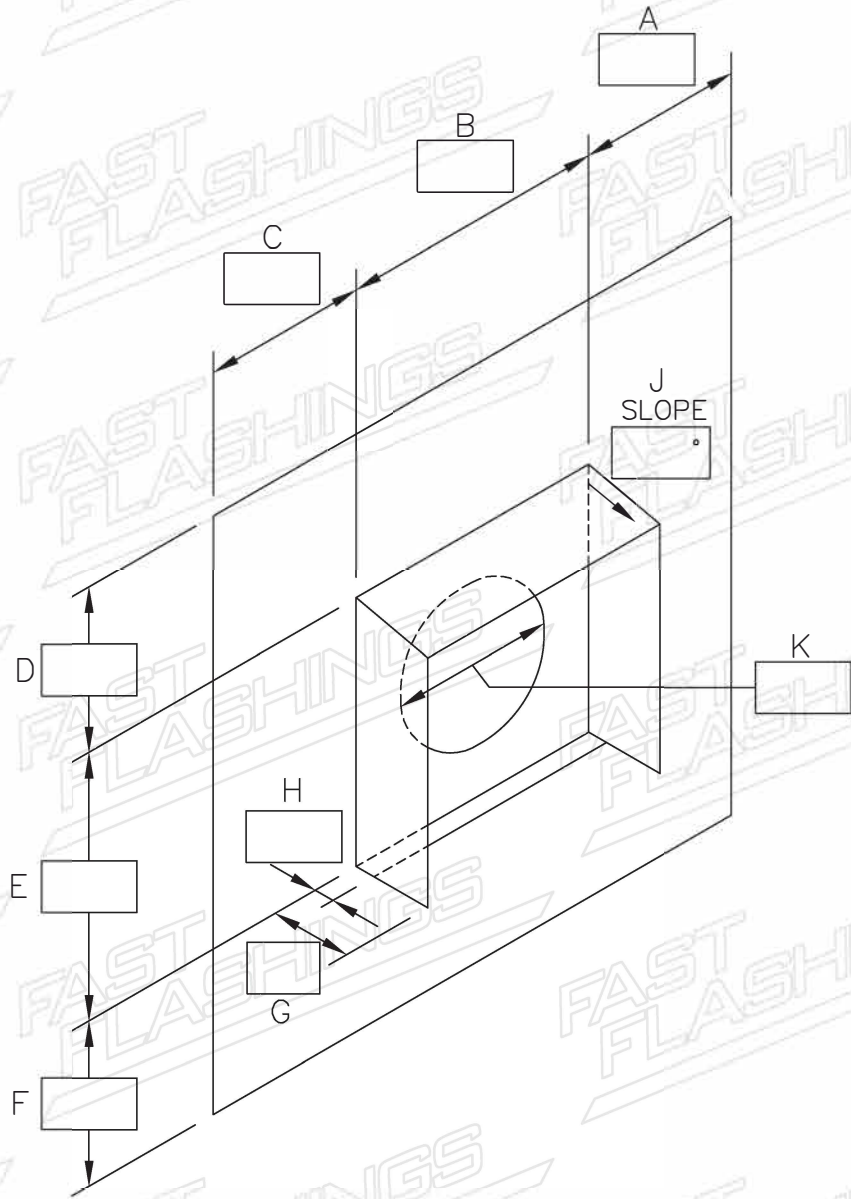
Kirkland 425-827-8367 Seattle 206-364-3612

TYPE

DRAWN BY DATE SCALE FACTOR

DRAWING #

VT-003-3h



CUSTOMER	
JOB	
ADDRESS	
CONTACT	PHONE
COLOR	
STAINLESS #2 <input type="checkbox"/>	STAINLESS #4 <input type="checkbox"/>
GALVANIZED <input type="checkbox"/>	PRE-PRIMED <input type="checkbox"/>
COPPER 16 OZ. <input type="checkbox"/>	COPPER 20 OZ. <input type="checkbox"/>
GAUGE 22 <input type="checkbox"/>	24 <input type="checkbox"/> 26 <input type="checkbox"/>
QUANTITY	

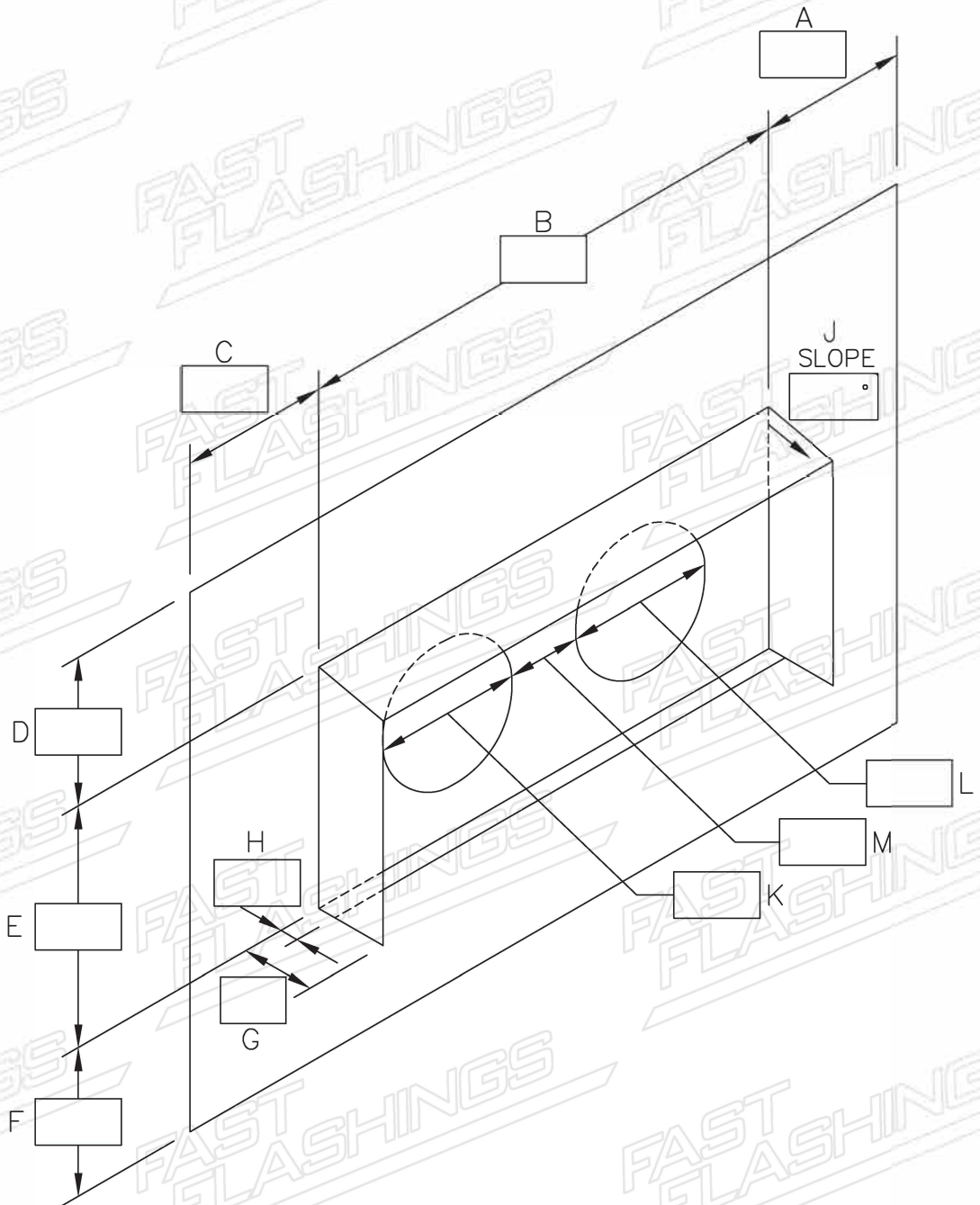
FAST FLASHINGS
www.fastflashings.com

Kirkland 425-827-8367 Seattle 206-364-3612

TYPE

DRAWN BY _____ DATE _____ SCALE FACTOR _____

DRAWING #
VT-004



CUSTOMER	
JOB	
ADDRESS	
CONTACT	PHONE
COLOR	
STAINLESS #2 <input type="checkbox"/>	STAINLESS #4 <input type="checkbox"/>
GALVANIZED <input type="checkbox"/>	PRE-PRIMED <input type="checkbox"/>
COPPER 16 OZ. <input type="checkbox"/>	COPPER 20 OZ. <input type="checkbox"/>
GAUGE 22 <input type="checkbox"/>	24 <input type="checkbox"/> 26 <input type="checkbox"/>
QUANTITY	

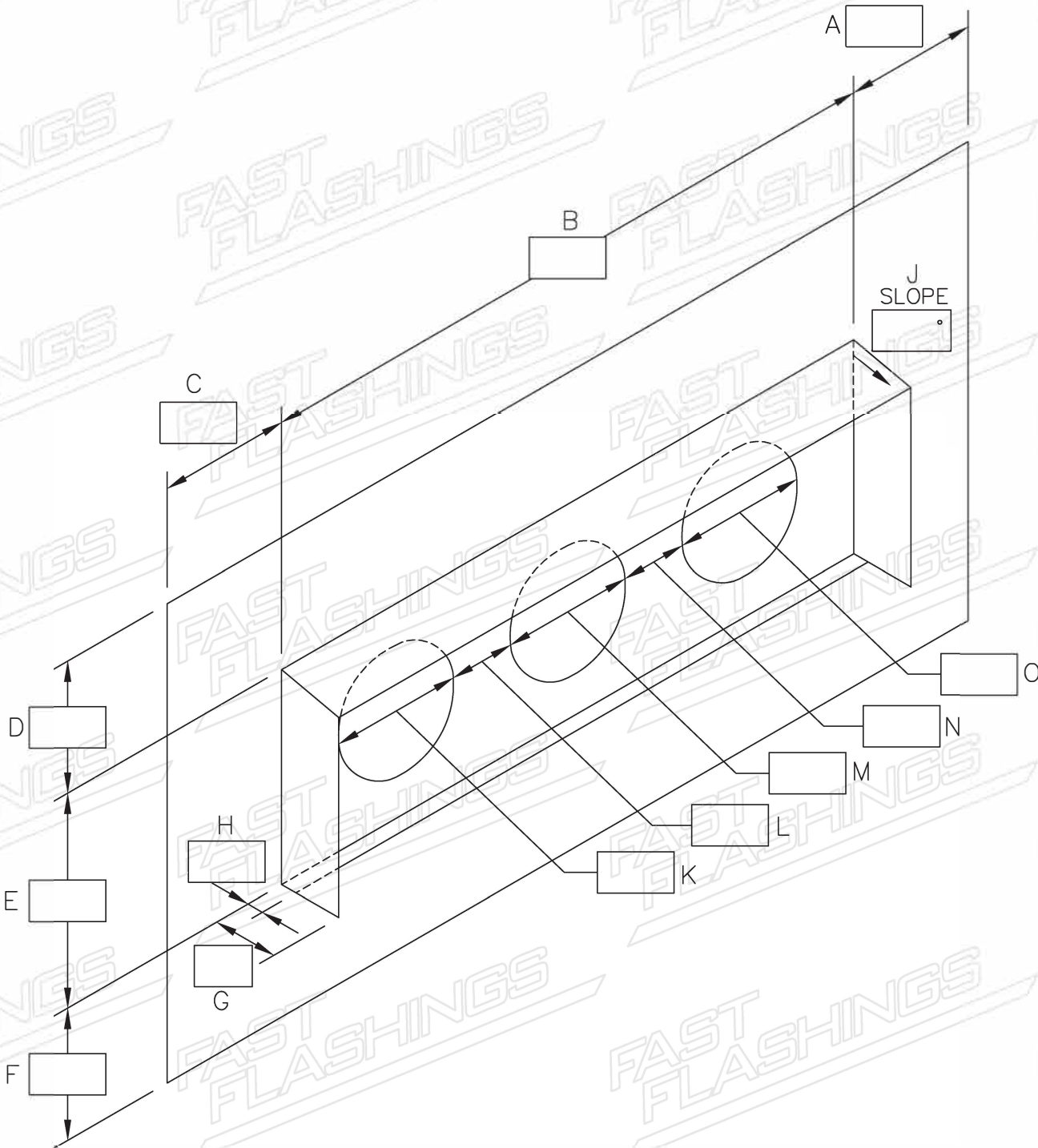
FAST FLASHINGS
www.fastflashings.com

Kirkland 425-827-8367 Seattle 206-364-3612

TYPE

DRAWN BY	DATE	SCALE FACTOR
----------	------	--------------

DRAWING #
VT-004-2h



CUSTOMER	
JOB	
ADDRESS	
CONTACT	PHONE
COLOR	
STAINLESS #2 <input type="checkbox"/>	STAINLESS #4 <input type="checkbox"/>
GALVANIZED <input type="checkbox"/>	PRE-PRIMED <input type="checkbox"/>
COPPER 16 OZ. <input type="checkbox"/>	COPPER 20 OZ. <input type="checkbox"/>
GAUGE 22 <input type="checkbox"/>	24 <input type="checkbox"/> 26 <input type="checkbox"/>
QUANTITY	

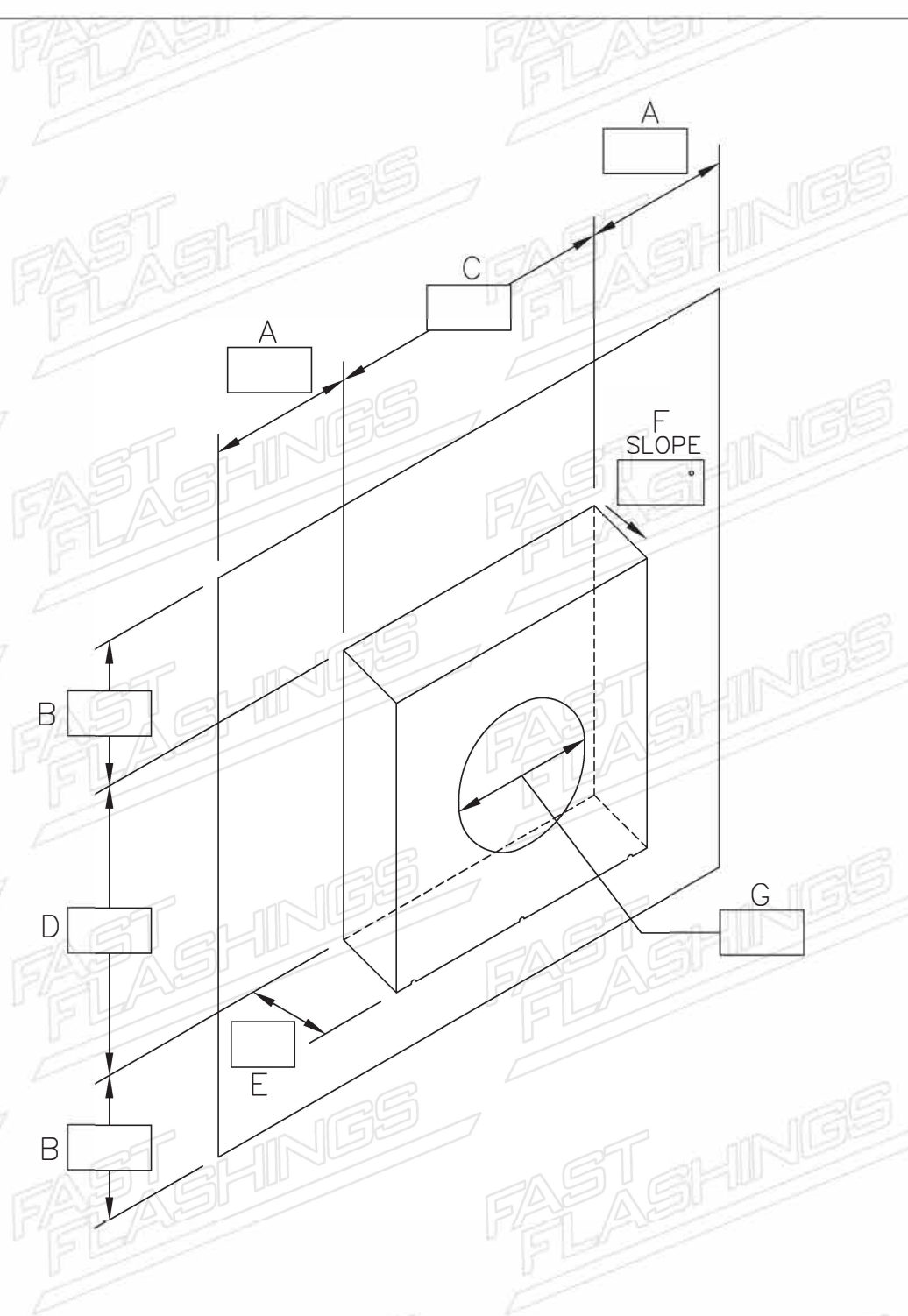
FAST FLASHINGS
www.fastflashings.com

Kirkland 425-827-8367 Seattle 206-364-3612

TYPE

DRAWN BY	DATE	SCALE FACTOR
----------	------	--------------

DRAWING #
VT-004-3h



CUSTOMER	
JOB	
ADDRESS	
CONTACT	PHONE
COLOR	
STAINLESS #2 <input type="checkbox"/>	STAINLESS #4 <input type="checkbox"/>
GALVANIZED <input type="checkbox"/>	PRE-PRIMED <input type="checkbox"/>
COPPER 16 OZ. <input type="checkbox"/>	COPPER 20 OZ. <input type="checkbox"/>
GAUGE 22 <input type="checkbox"/>	24 <input type="checkbox"/> 26 <input type="checkbox"/>
QUANTITY	

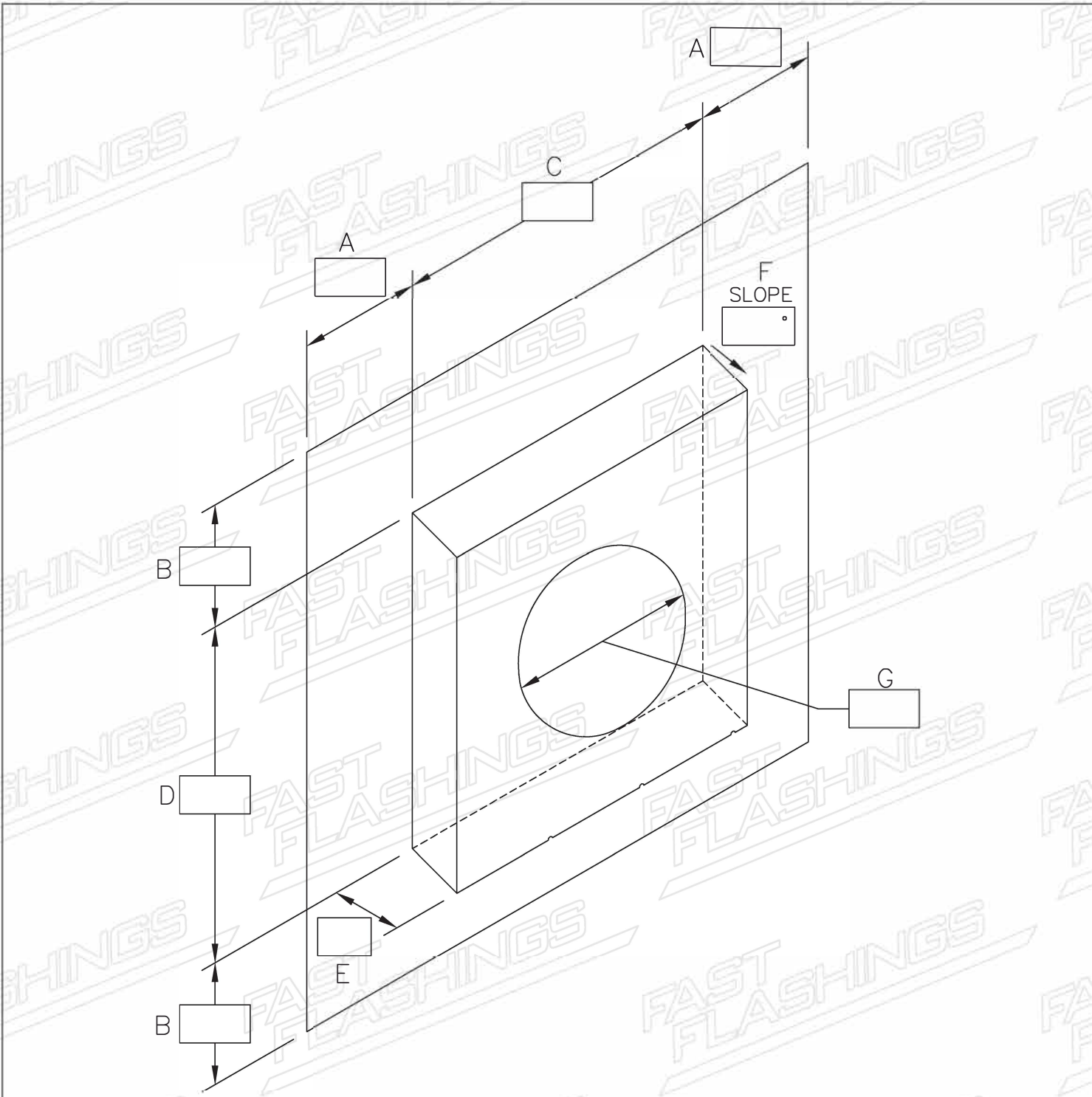
FAST FLASHINGS
www.fastflashings.com

Kirkland 425-827-8367 Seattle 206-364-3612

TYPE

DRAWN BY	DATE	SCALE FACTOR
----------	------	--------------

DRAWING #
VT-005-4''



CUSTOMER	
JOB	
ADDRESS	
CONTACT	PHONE
COLOR	
STAINLESS #2 <input type="checkbox"/>	STAINLESS #4 <input type="checkbox"/>
GALVANIZED <input type="checkbox"/>	PRE-PRIMED <input type="checkbox"/>
COPPER 16 OZ. <input type="checkbox"/>	COPPER 20 OZ. <input type="checkbox"/>
GAUGE 22 <input type="checkbox"/>	24 <input type="checkbox"/> 26 <input type="checkbox"/>
QUANTITY	

FAST FLASHINGS
www.fastflashings.com

Kirkland 425-827-8367 Seattle 206-364-3612

TYPE

DRAWN BY	DATE	SCALE FACTOR
----------	------	--------------

DRAWING #
VT-005-6''